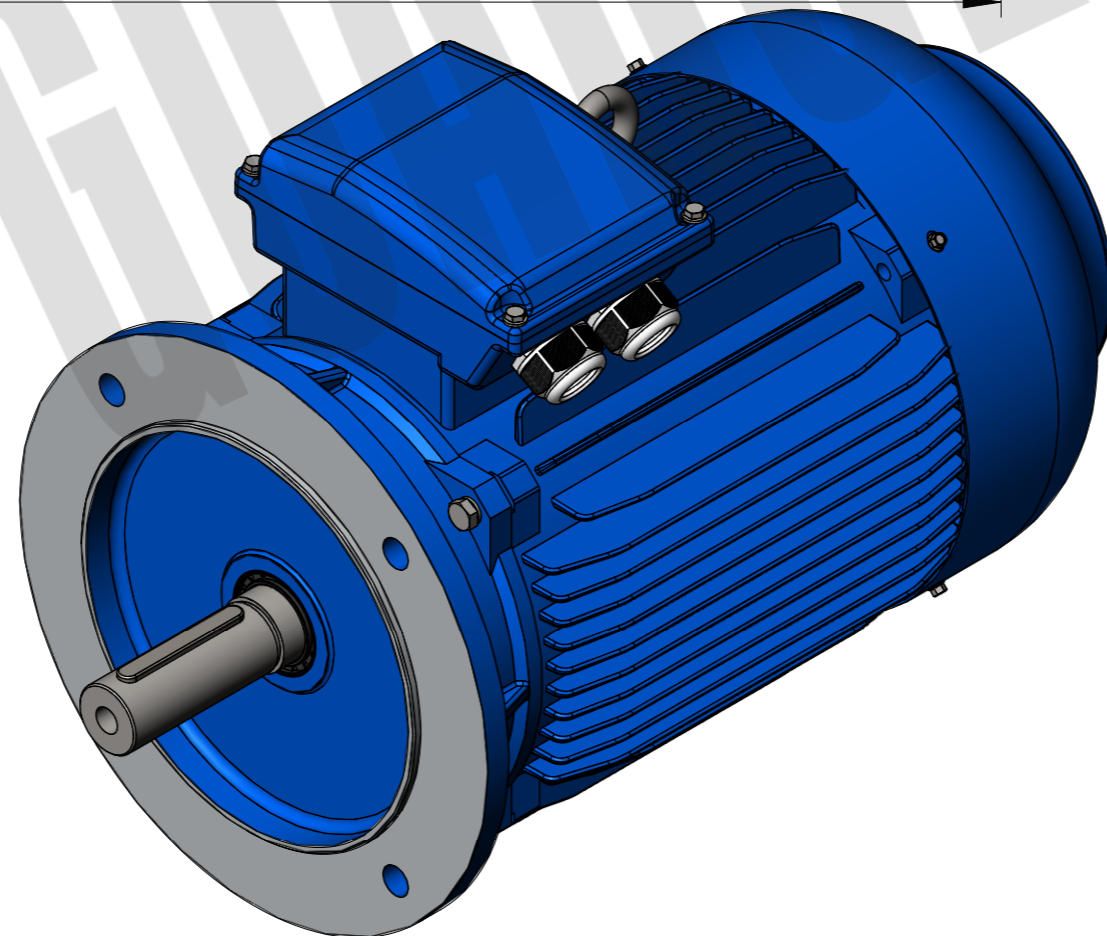
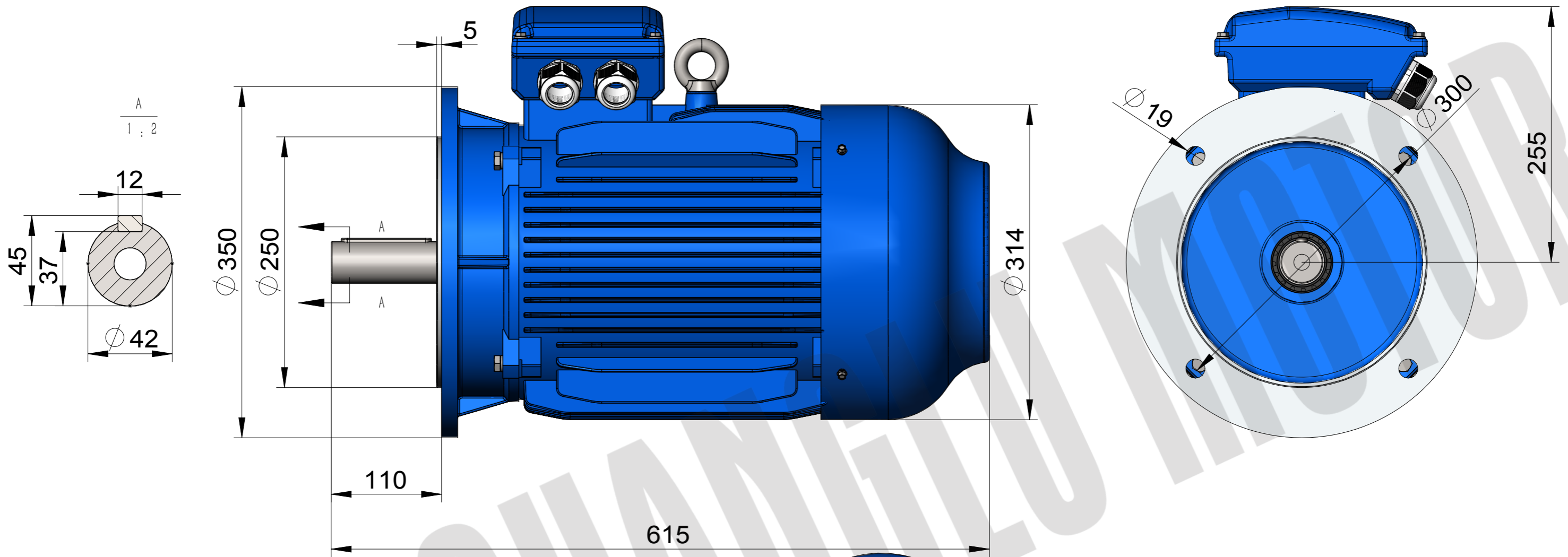


**IE2-160M-B3**  
**Mounting diagram**



IE2-160M-B5  
Mounting diagram

