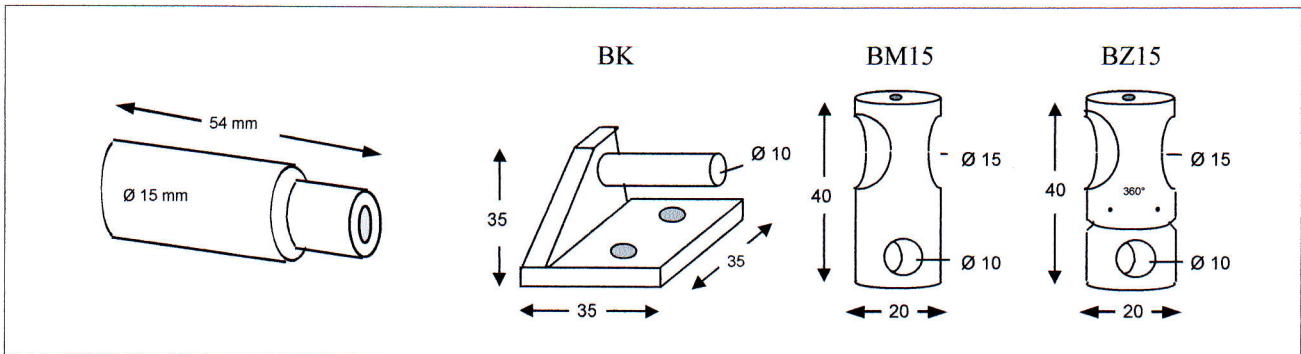


# LG Datasheet

POSITIONING LASER GREEN Ø 15 MM



## LG APPLICATION

<p>Description</p> <p>Industry</p> <p>Machines</p> <p>Environment</p>	<p>Low Cost - module, focusable point laser.</p> <p>Textile industry, wooden industry, metal industry, mechanical engineering</p> <p>Textile carousel, knothole drills, CNC, drills etc.</p> <p>in illuminated halls or rooms, from 5 mW with sunlight.</p>
---	---

## AVAILABLE MODELS & SPECIFICATIONS

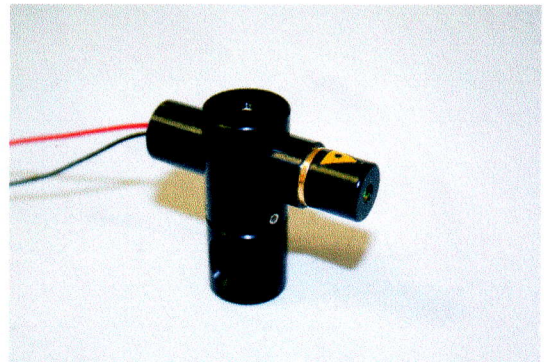
Reference	Wave-length	Power	Operation distance
LT532/1/LG	532 nm	< 1 mW	to 10 m
LT532/3/LG	532 nm	3 mW	to 10 m
LT532/5/LG	532 nm	< 5 mW	to 10 m

## ACCESSORIES

<p>Holders:</p> <p>Power supply:</p> <p>Battery Pack:</p>	<p>BK</p> <p>100-230 VAC</p> <p>3,0 V</p>	<p>BM</p> <p>for 2 Lasers LDSE 10/2</p> <p>Rail Transformer</p> <p>Accu-pack with charger</p>	<p>BZ</p> <p>for 5 Lasers LDSE 10/5</p> <p>Rail Tranformer</p>
---	---	---	--

## TECHNICAL DATA

Lifetime.....	+ / - 15,000 Hours
Wavelength.....	532 nm
Power.....	1-5 mW
Weight.....	0.04 kg
Input.....	3 V/DC
Isolation Class.....	IP 64
Laser Class.....	2 / 2M
Work temperature.....	- 5 - + 40° C
Stock temperature.....	- 10 - + 60° C
Air moisture.....	0 - 85 %
Power Consumption:...	1.5 W
Warranty.....	24 months



IG-Lasertechnik  
 Industriestraße 7  
 D- 53909 Zülpich  
 Tel. +49(0)2252-8360190  
 Fax. +49(0)2252-8360191  
 DE 195 533 141  
 info@igl.com.de  
 www.igl.com.de