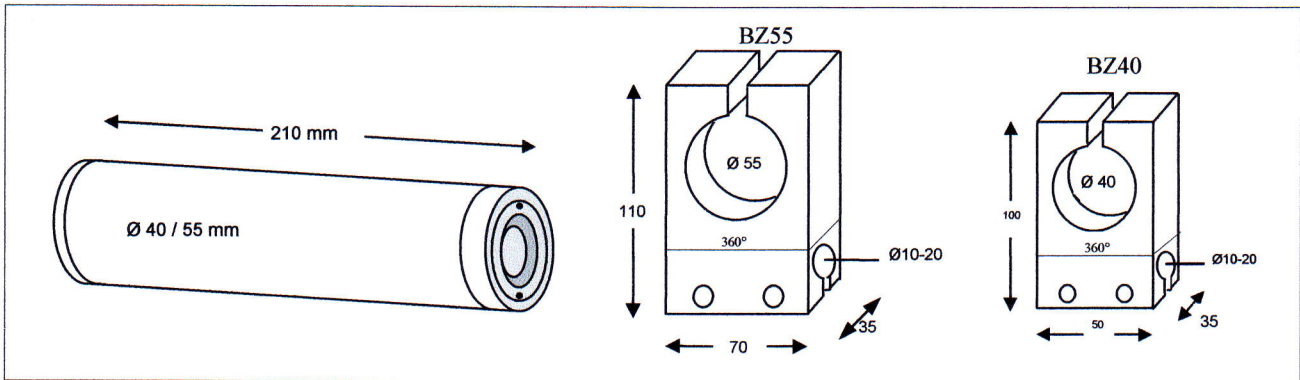


PI40 Datasheet

POSITIONING LASER RED Ø 40 MM



PI40 APPLICATION

Description	This is a line laser that has an integrated net supply, a solid aluminum capsule with a 230 net cable and a diameter of 40 mm.
Industry	Wood, Stone, Paper etc.
Machines	Wood saws, Stone saws, etc.
Environment	in illuminated areas or rooms, without direct sunlight.

AVAILABLE MODELS & SPECIFICATIONS

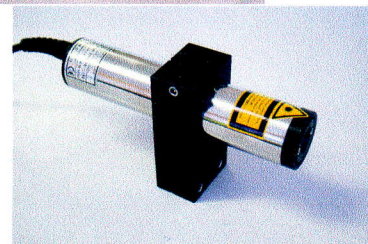
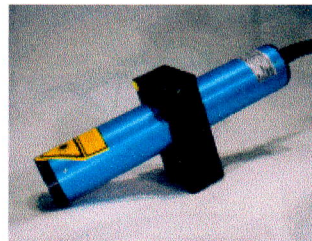
Reference	Wavelength	Power	Line	Dimensions
PI40 635/5	635 nm	5 mW	1-3 m	Ø 40 x 210mm
PI40 635/12	635 nm	12 mW	3-5 m	Ø 40 x 210mm
PI40 635/17	635 nm	17 mW	5-7 m	Ø 40 x 210mm
PI40 650/30	650 nm	30 mW	7-9 m	Ø 40 x 210mm
PI40 650/50	650 nm	50 mW	7-9 m	Ø 40 x 210mm
PI40 650/70	650 nm	70 mW	8-10 m	Ø 40 x 210mm
PI40 650/120	650 nm	120 mW	10-15 m	Ø 40 x 210mm

ACCESSORIES

Holders:	BZ40	BZ55			
Optic:	Point-optic	Angle-optic 60°	Angle-optic 90°	Powerline	
Protection:	PI40	PI55			
Battery Pack:	4,8 V Accu-pack with charger				

TECHNICAL DATA

Lifetime.....	+ / - 30,000 Hours
Wavelength.....	635 / 650 nm
Power	5 - 120 mW
Weight	1.0 kg
Input85 - 265 V AC/ 48V AC 12 - 30V DC/ 48V DC
Isolation Class.....	IP 64
Laser Class.....	.2/2M/3R/3B
Work temperature.	- 15 - + 60° C
Stock temperature.	- 40 - + 70° C
Air moisture	0 - 85 %
Power Consumption:...	2.0 W
Warranty.....	24 months



IG-Lasertechnik
 Industriestraße 7
 D- 53909 Zülpich
 Tel. +49(0)2252-8360190
 Fax. +49(0)2252-8360191
 DE 195 533 141
 info@igl.com.de
 www.igl.com.de