



www.kedu.cn



Electromagnetic Switch

Electromagnetic Switch
Combined Cam Switch
Safety Limited / Interlocking Switch
Electromagnetic Motor Starter
Relay

电磁开关

电磁开关
组合转换开关
安全限位/互锁开关
电磁式马达启动器
继电器

KEDU
SWITCHED ON

KEDU ELECTRIC CO.LTD.

118 Songqiao Street,
Xiasha Economic and Technological Development Zone,
Jiangan District, Hangzhou, Zhejiang, P.R.China 310018
Tel: +86(0)571-56700777
Fax: +86(0)571-56700776
Puqi Industrial Zone
Hongqiao, Yueqing, Zhejiang, P.R.China 325608
Tel: +86 (0)577 62388666
Fax: +86 (0)577 62351114
Email: kedu@kedu.cn

科都电气有限公司

地址: 杭州市江干区下沙经济技术开发区松乔街118号
邮编: 310018
电话: 0571-56700777
传真: 0571-56700776
地址: 浙江乐清市虹桥镇蒲岐工业区C座
邮编: 325608
电话: 0577-62388666
传真: 0577-62351114
E-mail: kedu@kedu.cn



KEDU
SWITCHED ON

WORLD CLASS ELECTRICAL SWITCH PARTNER

打造世界一流品质 电气开关解决方案制造商

COMPANY PROFILE

KEDU Electric Company Ltd. is a specialised switch manufacturer, established in China since 1988, our facility is located near the famous scenic mountains of Yandang. We design and developed our own products which supply over 200 mid to high-end international customers from America, the UK, France, Germany and many more. We currently have over 60 specialised switch product lines and operate according to the ISO9001 and TS16949 quality management systems.

At KEDU we have an excellent technological research and development centre with more than 160 senior technicians. We use the most advanced state-of-the-art 3D software (UG) to design and develop our products to suit our customers requirements.

Equipped with advanced facilities, our laboratory is UL, CTDP and TUV certified, which enhances our ability to develop new products and make continuous improvements as well as short certification lead times.

KEDU produces 28 major product groups including, Household Switches, Motor Protection, Leakage Protection Plugs and Sockets, Miniature Circuit Breakers, Disconnectors, Change-over Switches, Moulded Case Circuit Breakers, AC Connecters, Industrial Plugs and Sockets and many more.

Our ERP system has expanded to more than 16,000 items and 500 of them are specially designed to work with products of many famous companies worldwide. All of our products have acquired American UL and CUL,

Canadian CSA, German VDE, TUV, CE and ENEC and Sweden SEMKO certification with 260 national patents, 26 international patents and more than 30 original products.

KEDU products have an excellent reputation for high quality with reasonable price. Our highly trained staff deliver outstanding customer service. We supply switches to our American, European and domestic customers supporting their production of electric power tools.

We take pride in our ability to work closely with both new and existing customers in order to fulfil the changing needs of their business. As always, it is our goal to consistently provide products of the highest quality.

关于科都

科都电气有限公司是集新产品研发、项目开发、产品测试、模具设计、加工制造、工装设计、制造编程及注塑、冲压、焊接、绕线、装配于一体的专业电气产品制造商和自营出口商。自行设计和研发的电气开关，大部分以OEM供应美国、英国、法国、德国等210多家中高端公司。公司倚雁荡山国家级风景区之秀，临东海乐清湾之滨，创建于1988年。

科学的生产体系，现有60多条生产开关专用流水线，并新建杭州厂房8.8万平方米，持续以ISO9001和TS16949质量体系运作。

技术力量雄厚，现有博士、本科、大专等中高级技术人才160多名，设计采用先进的三维软件UG，研发速度快，能满足客户的各种需求。

先进的检测站，已获美国UL、CTDP证书和德国莱茵公司TUV认可，为提高研发技术水平和新产品持续改进能力，确保质量和快速认证奠定了坚实的基础。

科都生产的电动工具开关、家用开关、电机保护器、漏电插头插座和保护器、小型断路器、隔离开关、转换开关、塑壳断路器、交流接触器、工业插头插座等28大系列16000多型号，其中500多种开关为世界知名大品牌公司配套使用，所有产品已获得了美国UL，CUL，加拿大CSA，德国VDE、TUV、CE，欧共体ENEC及瑞典SEMKO认证，并获260多项国家专利，26项国际发明专利，30多项产品填补世界空白。



KEDU 牌产品以优良的品质、合理的价格、完美的服务倍受客户好评，并畅销欧洲、美国等高端客户，电动工具配套开关为国内众多大中型出口企业定点配套。

科都电气的不懈追求是：建科技之都，创世界名牌；科都电气的经营理念是：以市场为导向，为客户提供一流产品和服务；

- 坚持实业报国，以专业电动工具开关为基础，做大，做精，做强电动工具开关，全面向专业化，国际化发展。
- 坚持品牌战略，争做世界第一，创世界名牌；
- 坚持科技创新，加快国内、国际间的技术合作与交流，不断提高参与国际高端电气产品市场的核心竞争力。

KEDU[®]
SWITCHED ON

LABORATORY 实验室

Our laboratory was designed according to the UL, VDE, EN and IEC International Standards and meets the test requirements of all KEDU products...

公司拥有全套符合UL,VDE,EN,ICE标准并满足各项测试需求的实验室, 为确保产品质量, 实现世界领先的技术奠定基础。

Endurance Lab 寿命实验室



The KEDU electrical switch laboratory is accredited by American UL and CTDP, German VDE and TUV, Swedish Intertek ETL SEMKO. The Laboratory is designed according to UL, VDE, CE and ENEC standards. The maximum test current can reach 2000A and a voltage of 500V, all product tests rated within 300A. Up to 60 switches can be tested at the same time. Products are processed to acquire UL, CUL and CSA (Canada), VDE (German), TUV, CE and ENEC and Swedish SEMKO Certification.

经美国UL、CTDP认证, 德国VDE、TUV、瑞典Intertek ETLSEMKO认可的电气开关实验室, 寿命实验室全套标准按UL, VDE, EN, IEC标准设计。最大测试电流可达到2000A, 500V, 适用于额定300A以内的产品的所有测试, 可同时测试60只开关, 对产品获得美国UL、CUL, 加拿大CSA, 德国VDE、TUV、CE, 欧共体ENEC及瑞典SEMKO认证起到很大作用, 更重要的是在实验室的监督控制下, 产品质量更可靠, 更稳定。

AC/DC Short-Circuit Lab AC/DC短路器实验室



Our Short-Circuit testing laboratory is independent of the endurance test laboratory. We can carry out AC and DC short-circuit test, with a maximum current of 10000A, voltage of 500V and is accredited by American UL and CTDP, German VDE and TUV, Swedish Intertek ETL and SEMKO.

短路测试独立于寿命实验室, 可进行交流、直流短路测试, 最大的测试电流达10,000A, 电压500V, 短路测试实验室也经美国UL、CTDP、德国VDE、TUV、瑞典Intertek ETL SEMKO认可。

Auxiliary Lab 辅助实验室



Xenon-lamp weather resistance. Force and travel/conduction angle and travel/resistance and travel tester. Dust proof test IP5X and IP6X. Waterproof test IPX4, IPX5, IPX6 and IPX7. Glow wire apparatus. Tracking index apparatus (test voltage; 100-600V). Agilent Multi-channel temperature tester (34970A). Heraeus drying oven. WV Alternating humidity temperature test chamber (-40~+180°C, 10%-98%). KIKUSUL Withstanding voltage tester. Insulation Resistance tester. Earth continuity tester.

氙气耐候试验箱
力与行程、导通角和行程、电阻与行程测试仪
防尘试验箱IP5X&IPX7
灼热丝测试仪
漏电起痕测试仪 (测验电压: 100-600V)
Agilent多路温度测试仪 (34970A)
Heraeus烘箱
WV温湿交变试验箱 (-40~+180°C, 10%-98%)
KIKUSU耐压仪、绝缘电阻测试仪、接地电阻仪

RoHs Lab RoHs实验室



XGT-5000WR Fluorescence spectrometer. XGT-1000WR Fluorescence spectrophotometer (test Pb, Cd Cr, Hg, Br etc. Harmful element). TU-1901 double beam UV-visible light spectrophotometer (test Cr), GC-MSD Gas chromatograph (test PBBs, PBDEs, PAHs).

XGT-5000WR荧光光谱仪
XGT-1000WR荧光光谱仪
(测试Pb,Cd,Cr,Hg,Br等有害物质)
TU-1901双光束紫外线可见光光度计 (测试Cr)
GC-MSD气相色谱仪 (测试PBBs,PBDEs,PAHs)

ADVANCED FACILITIES

A specialised electrical manufacturer providing extensive solutions including new product development, project development, product testing, tooling design, manufacturing jig design, manufacturing programming, injection moulding, punching, welding, wiring and assembly. We operate according to the ISO9001 and TS16949 quality management systems.

集新产品研发、项目开发、产品测试、模具设计、加工制造、工装设计、制造编程及注塑、冲压、焊接、绕线、装配于一体，持续以ISO9001和TS16949质量体系运作

先进、专业、齐全的设备
为您提供专业创新的整体解决方案



R&D Department 设计研发部



Our R&D Department specialise in Mechanical, Electronic, Mould and Jig Design as well as Project Develop and Mould Flow.

机械设计
电子设计
模具设计
工装设计
项目开发
模具流道分析

Machining Centre 加工中心



Our Machining Centre is equipped with the following: Advanced tooling process machine, Vertical machining centre, CNC high speed wire cutting machine, CNC precision EDM machine, Advanced tooling testing machine, 2D image and measuring apparatus and a three point measuring machine.

先进的模具加工机器
立式模具加工中心
数控精密电火花线切割机
数控精密电火花成形机（电脉冲）

先进的模具检测仪器
二维影像测量仪
三坐标测量仪

Electronic Workshop 电子车间



The Electronic Production Workshop is controlled to be Dust-free with an advanced SMT machine, with lead-free reflow soldering. Our wave soldering equipment improves production efficiency and consistency.

无尘化的电子车间
采用先进的
SMT贴片机
无铅回流焊
波峰焊设备
提高了生产效率和产品质量

Assembly Workshop 装配车间



The Assembly Workshop has over 1380 staff with 60 specialised switch assembly lines that have adopted the lean production TS16949 management concept.

目前拥有装配员工1380人，60多条开关生产专业流水线，采用精益生产TS16949管理理念。

Circuit Breaker Automatic Production Line 断路器自动流水线



Automatic Production Line
Automatic Leak Detection
Automatic Sealing
Automatic Assembly Folder

- 全自动化的生产线
- 全自动检漏
- 全自动封盖
- 全自动装机安装夹



Automatic Rivet Passing
Automatic Riveting and
Inspection
Automatic Screw Back and
Inspection
Automatic Delay Detection

- 全自动穿铆钉
- 全自动铆铆钉及检查
- 全自动退铆钉及检测
- 全自动延迟检测



Automatic Instantaneous
Detection
Automatic Stand Voltage Test
Automatic Pad Printing
Automatic Packing

- 全自动瞬时检测
- 全自动耐压检查
- 全自动移印
- 全自动包装

Electromagnetic Switch 电磁开关



KJD17 KJD30 Electromagnetic Switch
KJD17 KJD30 电磁开关 Page 1-12



KJD16 KJD20 Electromagnetic Switch
KJD16 KJD20 电磁开关 Page 13-18



KOA Electromagnetic Switch
KOA 电磁开关 Page 41-84



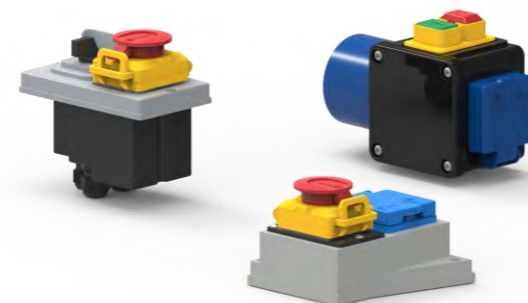
KJD12 Electromagnetic Switch
KJD12 电磁开关 Page 19-22



KJD18 Electromagnetic Switch
KJD18 电磁开关 Page 23-28



KJD11 Electromagnetic Switch
KJD11 电磁开关 Page 31-32



KJD21 KJD22 KJD24 Electromagnetic Switch
KJD21 KJD22 KJD24 电磁开关 Page 33



ZH-43 Combined Cam Switch
RB7 Electromagnetic Motor Starter
ZH-43 组合转换开关
RB7 电磁式马达启动器 Page 85-90



Safety Limited / Interlocking Switch
安全限位/互锁开关 Page 99-108

Electromagnetic Switches

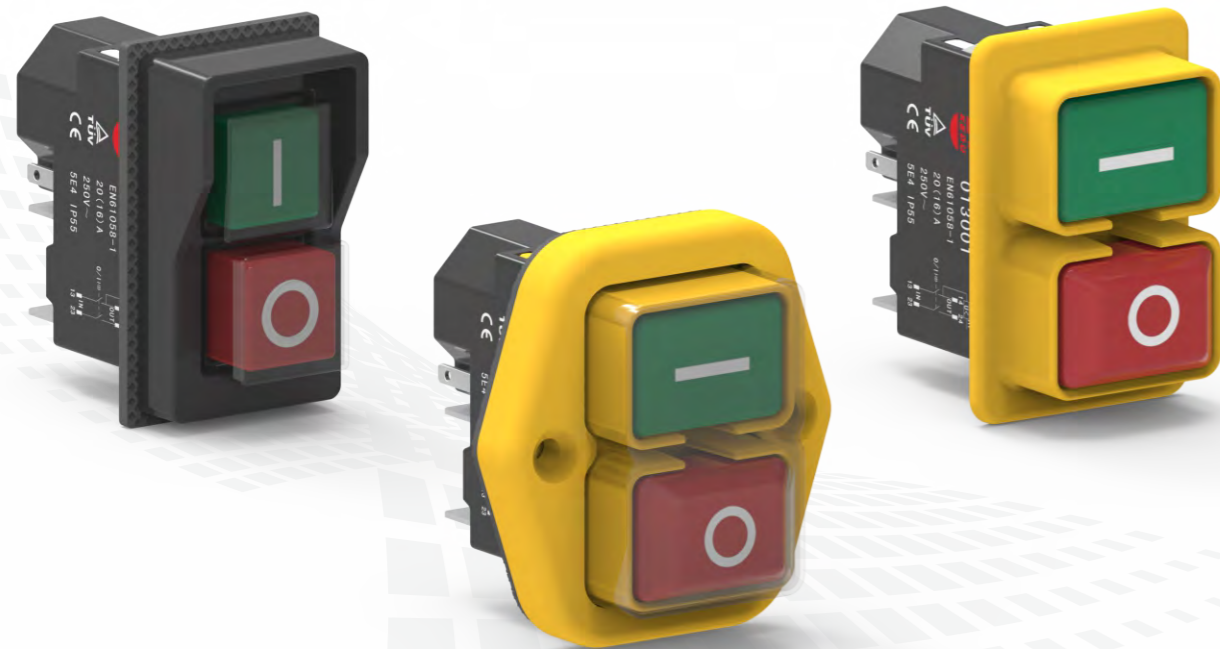
电磁开关系列



KJD30 series the new generation of electromagnetic switch uses the effort to self - locking mechanism, in the same volume, to achieve greater current, smaller power consumption

KJD30系列新一代电磁开关采用省力自锁机构,相同体积下,实现更大电流,更小功耗。

- Under voltage protection • Power-off protection • Overload protection
- Brake function • Automatic disconnect function
- 欠压保护 • 停电保护 • 过载保护 • 刹车功能 • 突跳功能



Large panel, more convenient to install, can be combined with thermal protection switch so it also has under voltage and overload protection.

大面板, 安装更方便, 可与热保护开关等组合使用, 同时具备欠压保护和过载保护功能。

With under voltage and overload protection.

同时具有欠电压保护和过载保护功能



With Automatic disconnect function, performance is more stable

带突跳断开功能, 性能更稳定

Large emergency stop button, more convenient to operate

大急停按钮, 操作更方便

With under voltage and power-cut protection, can control motor directional movement and acting as a replacement for two-directional switch. It has under voltage and power-off protection, can control the forward and reverse rotation of the motor and replace the forward and reverse switch.

Always pushing the boundaries of technology and quality.

苛求品质, 不断超越

KJD17 KJD17-16 Electromagnetic Switch

KJD17 KJD17-16 电磁开关



KJD17 KJD17-16 Electromagnetic Switch

KJD17 KJD17-16 电磁开关

KJD17 KJD17-16 Electromagnetic Switch



KJD17FT
KJD17-16FT

KJD17F
KJD17-16F

Description 描述

These switches have the following functions that derived from power-off and under voltage protection:

1. Double pole cut off
2. Brake function with one pole cut off
3. These two versions can be combined with overload protection switch to achieve under voltage and overload protection. The advantage of our patented technology is high current with small size.

该系列开关在停电和欠电压保护功能的基础上可派生出以下几种功能:

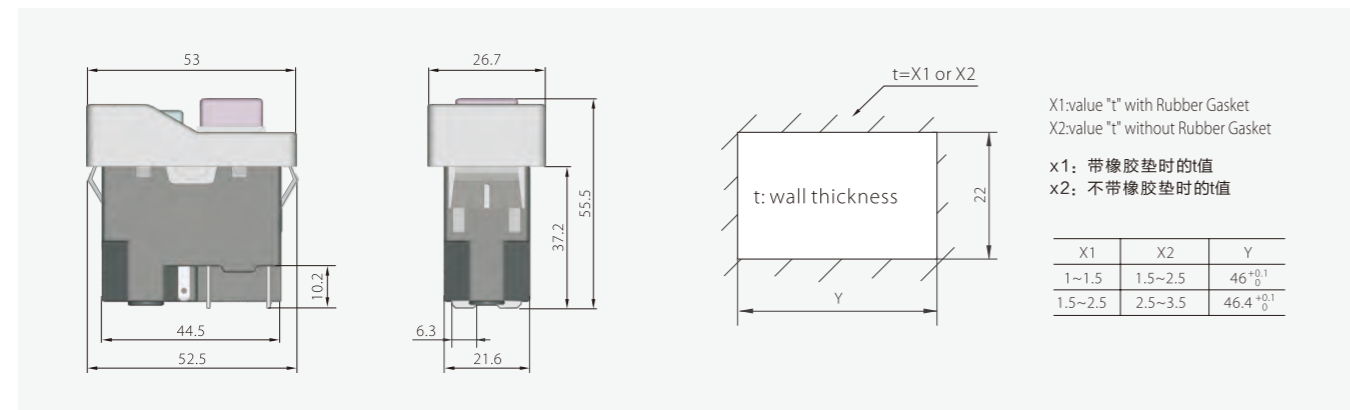
- 1、两极全断开
- 2、一极断开带刹车功能
- 3、以上两种均可与热保护开关组合使用，即同时具备欠压保护，过载保护等。该专利技术体积小，电流大。

Reference Dimension 参考尺寸

KJD17F KJD17FT KJD17-16F KJD17-16FT

Mounting Size 安装尺寸

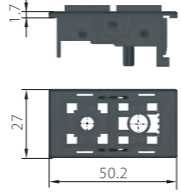
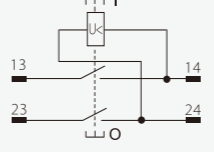
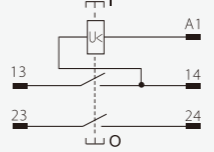
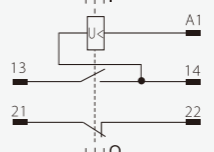
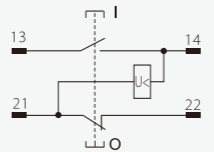





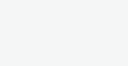



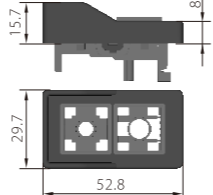
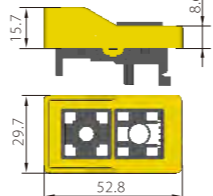
KJD17F KJD17FT KJD17-16F KJD17-16FT



Specifications 参数

Standard 标准	TUV(EN60947)	TUV(EN61058)				UL,CUL(UL508,E195428)		VDE,CE(DIN EN61058,VDE0630)
		KJD17		KJD17-16		KJD17,KJD17-16		
Type 型号	KJD17	KJD17		KJD17-16		KJD17,KJD17-16		KJD17
Rated Voltage 额定电压	250V~	120V~	250V~	120V~	250V~	120V~	220-240V~	250V~
Rated Current 额定电流	AC-1:18A AC-3:15A	10(8)A 18(16)A	10(8)A 16(12)A	16(16)A	18(16)A	16A 1/2HP	16A 2HP	10(8)A
Coil Voltage 线圈电压	220-240V~ or 100-120V~							
Rated Frequency 额定频率	50/60Hz							
Degree of Protection 防护等级	IP54 (EN60947) IP55(EN61058)							
Number of operating Cycles 操作循环次数	5E4							
Ambient Temperature 环境温度	T55,T85,T85/55							

Order options 订货选项

Panel 面板	Function 功能	Coil Voltage/Frequency 线圈电压/频率	Marking on Button 按钮标识	Accessories 附件		
P1 Frame Without Waterproof Cover 不带防水罩框 	F1 Without Remote Trip 2NO 无小插片2NO  F2 With Remote Trip 2NO 带小插片2NO  F3 With Remote Trip NO+NC 带小插片NO+NC  F4 Without Remote Trip NO+NC 无小插片NO+NC 	V1 110V 50Hz V2 120V 50/60Hz V3 220V-240V 50/60Hz V4 230V 50Hz	M1  M2  M3  M4  M5  M6 	A1 Water proof Cover 防水罩  A2 Rubber Sleeve 橡胶套  A3 Rubber Seal 橡胶垫 		
		P2 Black Frame 黑框 	Note:Function F3,F4 only Suitable for Panel P2,P3 注:功能F3,F4仅适用于面板P2,P3			
		P3 Yellow Frame 黄框 				

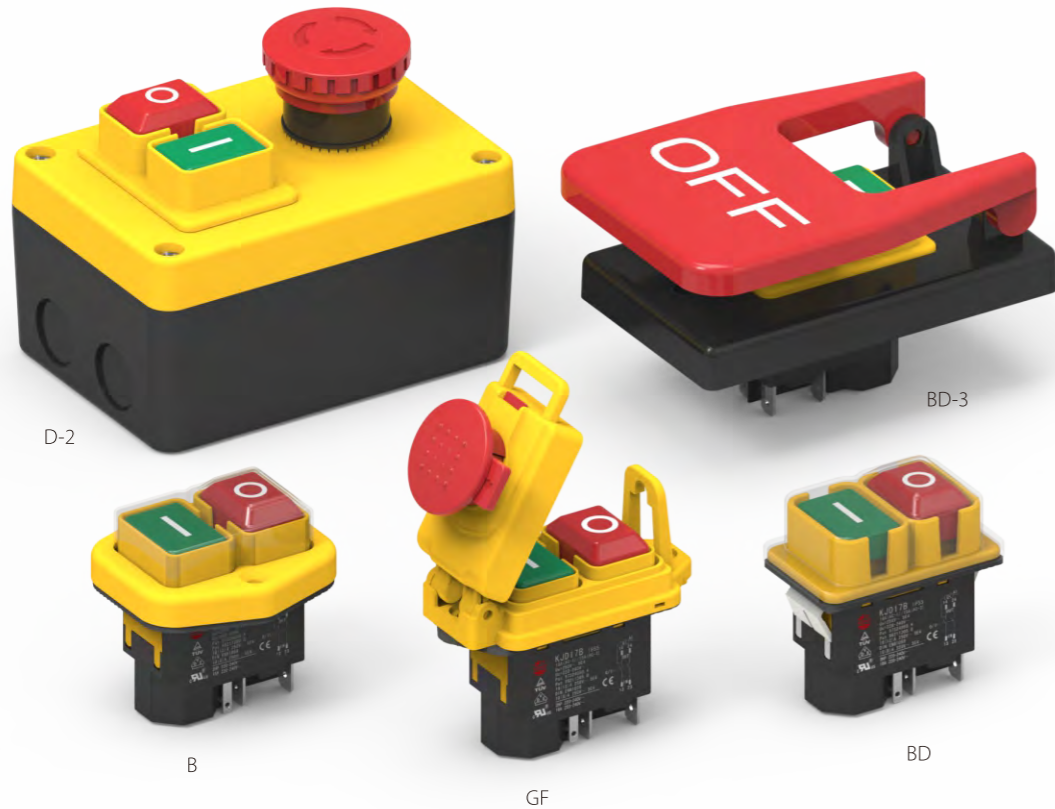
KJD17B KJD17B-16 Electromagnetic Switch

KJD17 KJD17B-16 电磁开关



KJD17B KJD17B-16 Electromagnetic Switch

KJD17 KJD17B-16 电磁开关



Description 描述

These switches have the following functions that derived from power-off and under voltage protection:

1. Double pole cut off
2. Brake function with one pole cut off
3. These two versions can be combined with overload protection switch to achieve under voltage and overload protection. The advantage of our patented technology is high current with small size.

该系列开关在停电和欠电压保护功能的基础上可派生出以下几种功能:

- 1、两极全断开
- 2、一极断开带刹车功能
- 3、以上两种均可与热保护开关组合使用，即同时具备欠压保护，过载保护等。该专利技术体形小，电流大。

Specifications 参数

Standard 标准	TUV(EN60947)	TUV(EN61058)				UL,CUL(UL508,E195428)		VDE,CE(DIN EN61058,VDE0630)
Type 型号	KJD17B	KJD17B	KJD17B-16	KJD17B	KJD17B-16	KJD17B	KJD17B-16	KJD17B
Rated Voltage 额定电压	250V~	120V~	250V~	120V~	250V~	120V~	220-240V~	250V~
Rated Current 额定电流	AC-1:18A AC-3:15A	10(8)A 18(16)A	10(8)A 16(12)A	16(16)A	18(16)A	16A 1/2HP	16A 2HP	10(8)A
Coil Voltage 线圈电压	220-240V~ or 100-120V~							
Rated Frequency 额定频率	50/60Hz							
Degree of Protection 防护等级	IP54 (EN60947) IP55(EN61058)							
Number of operating Cycles 操作循环次数	5E4							
Ambient Temperature 环境温度	T85/55							

Order options 订货选项

Appearance and Panel 外形图和面板	Function 功能	Coil Voltage/Frequency 线圈电压/频率	Marking on Button 按钮标识	Accessories 附件
B 	F1 Without Remote Trip 2NO 无小插片2NO 	V1 110V 50Hz V2 120V 50/60Hz V3 220V-240V 50/60Hz V4 230V 50Hz	M1	A1 Waterproof Cover 防水罩 Type B Type C Type GF Type BC Type BD A2 Rubber Seal 橡胶垫 A3 Rubber Sleeve 橡胶套 Type B A4 With Emergency Stop of Mounting Boxes 安装盒带急停 A5 Emergency Stop Button 急停钮盖
C 	F2 With Remote Trip 2NO 带小插片2NO 		M2 M3 M4 M5 M6 M7 M8	
GF 	F3 With Remote Trip NO+NC 带小插片NO+NC 			
BC 	F4 Without Remote Trip NO+NC 无小插片NO+NC 			
BD 				
	Note: Function F3, F4 only Suitable for Panel GF 注: 功能F3, F4仅适用于面板GF			

KJD17B KJD17B-16 Electromagnetic Switch

KJD17 KJD17B-16 电磁开关

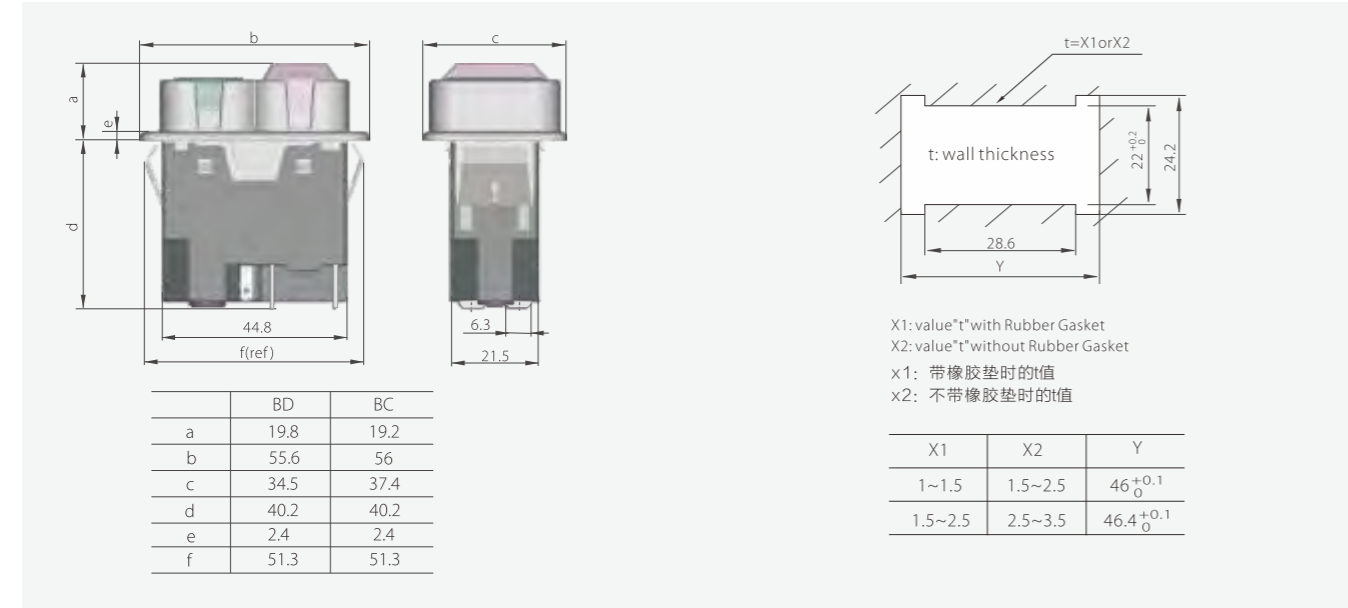


KJD17B KJD17B-16 Electromagnetic Switch

KJD17 KJD17B-16 电磁开关

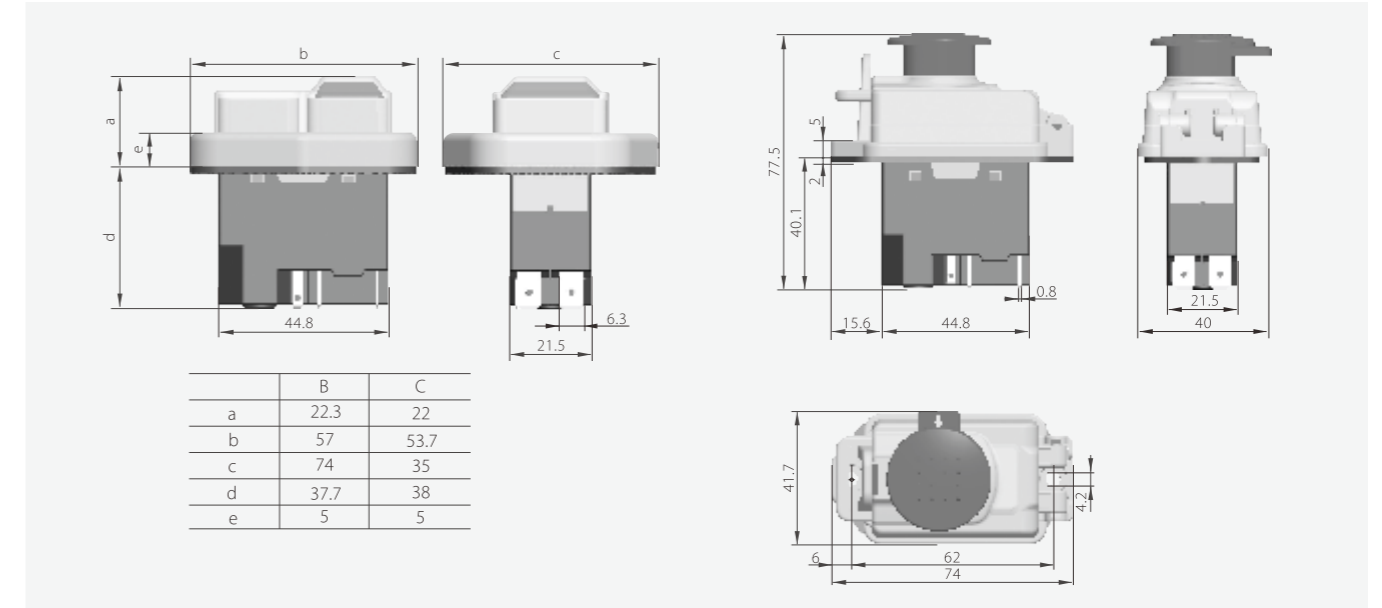
Reference Dimension 参考尺寸

BD,BC,BD-16,BC-16

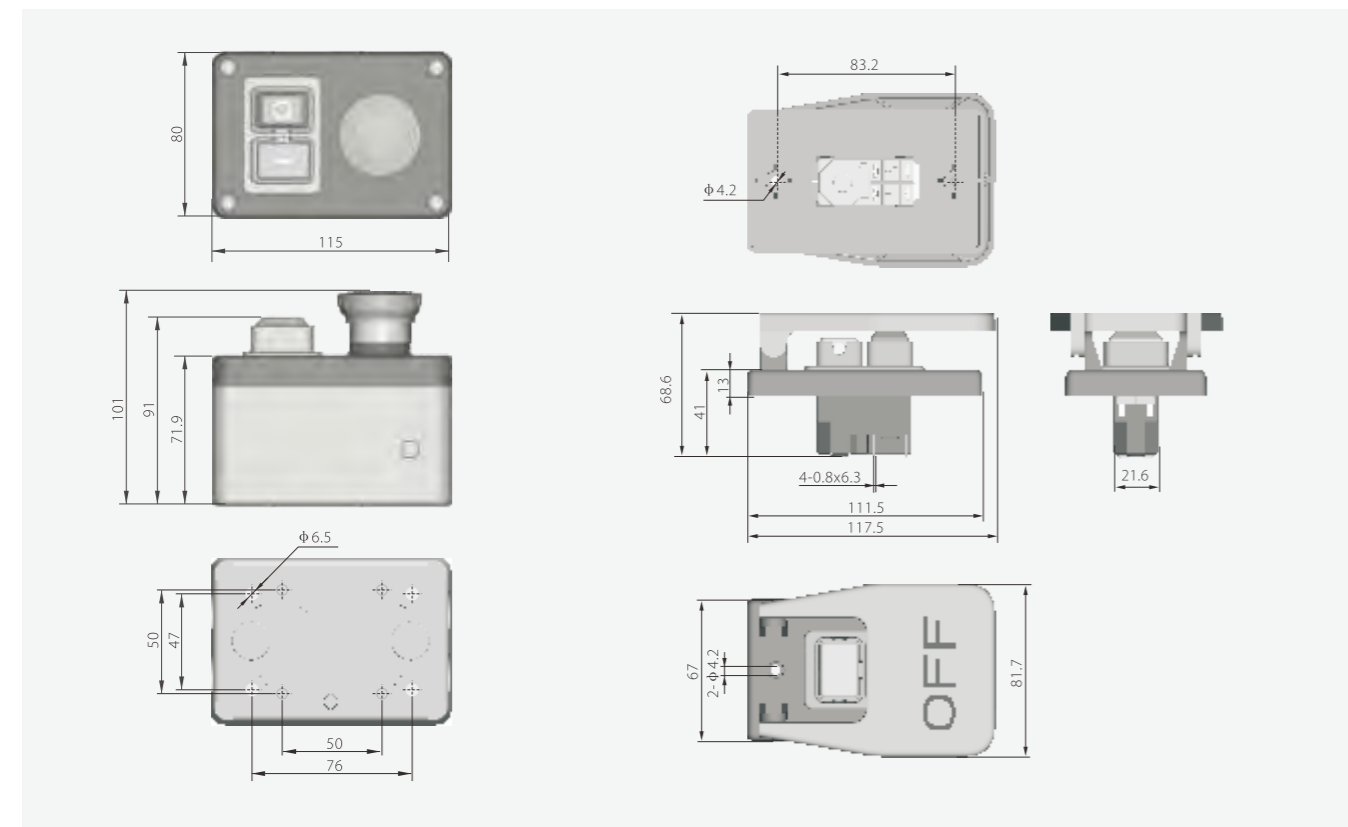


Reference Dimension 参考尺寸

B,C,B-16,C-16



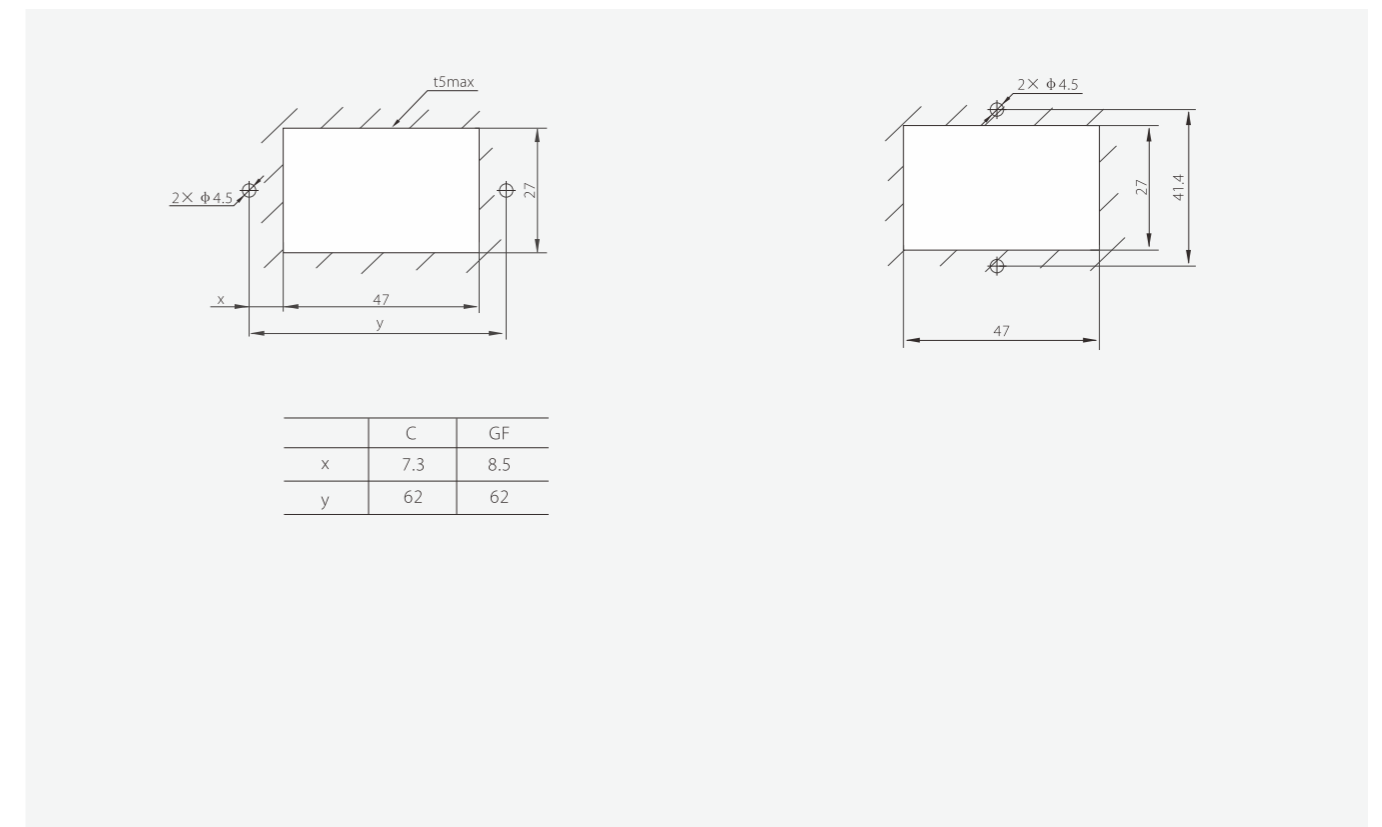
D-2,D-2-16



BD-3,BD-3-16

Mounting Size 安装孔尺寸

C,GF,C-16,GF-16



B,B-16

KJD17-18 Electromagnetic Switch

KJD17B-18 电磁开关



KJD17-18 Electromagnetic Switch

KJD17B-18 电磁开关



KJD17-18(011713)

Description 描述

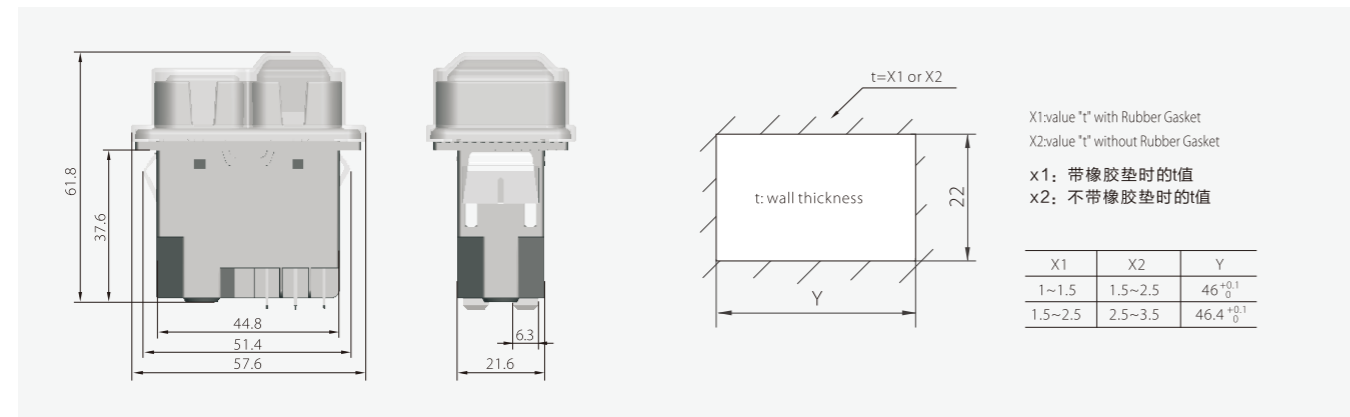
This series of switch has two functions that are derived from power-off and under voltage protection:

- 1.Brake function with double pole cut off.
- 2.Combine with an overload protection switch for under voltage and overload protection.

该系列开关在停电和欠电压保护功能的基础上，可派出以下几种功能：

- 1、两极全断开带刹车功能
- 2、可与热保护开关组合使用，即同时具备欠压保护，过载保护等。

Reference dimension 参考尺寸



Snap-in Mounting Size 压扣式安装孔尺寸

Specifications 参数

Standard 标准	TUV(EN60947)	TUV(EN61058)			
	Rated Voltage 额定电压	250V~	125V~	250V~	125V~
Rated Current 额定电流	NO 18A(AC-1);15A(AC-3);10A(AC-15) NO 15A(AC-1);15A(AC-3);8A(AC-15)	NO 18(16)A NC 16(16)A	NO 18(16)A NC 16(12)A	NO 16(16)A NC 12(12)A	NO 16(15)A NC 12(10)A
Ambient Temperature 环境温度	-5°C~+40°C	T55		T85/55	
Coil Voltage 线圈电压	220-240V~ or 100-120V~				
Rated Frequency 额定电流	50/60Hz				
Degree of Protection 防护等级	IP54				
Number of operating Cycles 操作循环次数	5E4				

Order options 订货选项

Panel 面板	Function 功能	Coil Voltage/Frequency 线圈电压/频率	Marking on Button 按钮标识	Accessories 附件
P1 P2 P3 P4 P5 	F1 Without Remote Trip 2NO+NC 无小插片2NO 	V1 110V 50Hz V2 120V 50/60Hz V3 220V-240V 50/60Hz V4 230V 50Hz	M1 M2 M3 M4 M5 M6 M7 M8	A1 Waterproof Cover 防水罩
	F2 With Remote Trip 2NO+NC 带小插片2NO 			

KJD17B-4 Electromagnetic Switch

KJD17B-4 电磁开关



KJD17B-4 Electromagnetic Switch

KJD17B-4 电磁开关

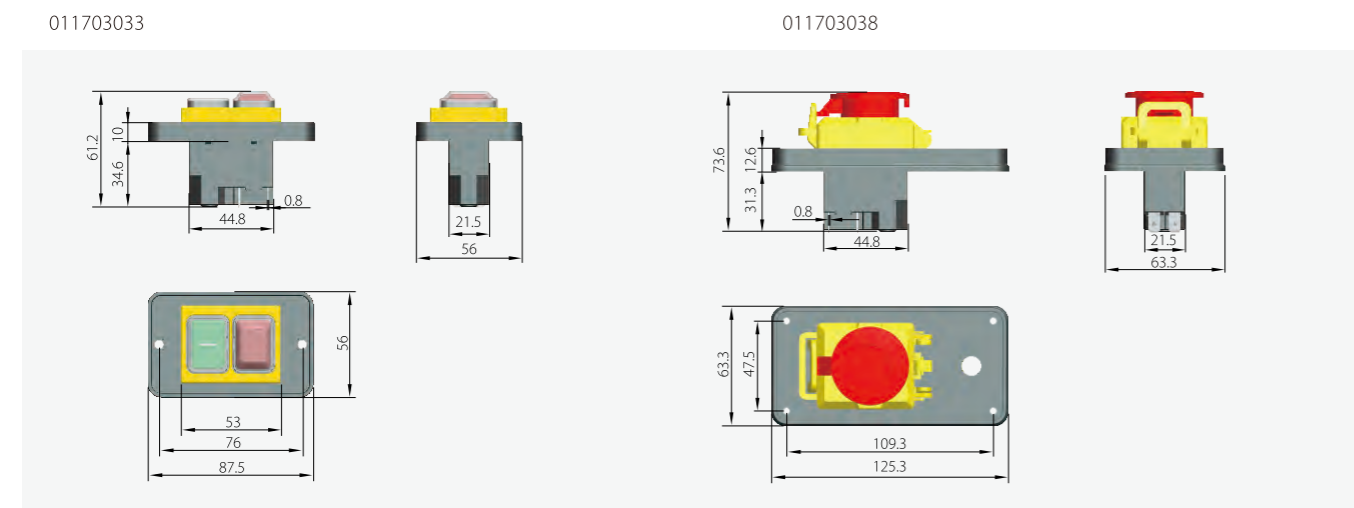


Description 描述

These switches have power-off and under-voltage protection. In case of power off or under voltage, the switch will be turned off automatically. Restart the switch when power on. Various mounting sizes and emergency stop button can be equipped. Combine with an overload protection switch for under voltage and overload protection.

该系列开关具有停电和欠电压保护功能。一旦断电或欠电压，开关自动断开，再来电时，须重新按开关。多种安装尺寸及多种急停按钮供选择，可与热保护开关等组合使用，即同时具备欠压保护，过载保护等。

Reference Dimension 参考尺寸



Specifications 参数

Standard 标准	TUV(EN60947)		TUV(EN61058)		
	Rated Voltage 额定电压	250V~		120V~	250V~
Rated Current 额定电流	18A(AC-1)	15A(AC-3)	10A(AC-15)	16(16)A	16(12)A
Coil Voltage 线圈电压	220-240V~ 100-120V~				
Rated Frequency 额定频率	50/60Hz				
Degree of Protection 防护等级	IP55				
Number of operating Cycles 操作循环次数	5E4				
Ambient Temperature 环境温度	T85/55				

Order options 订货选项

Panel 面板	Function 功能	Coil Voltage/Frequency 线圈电压/频率	Marking on Button 按钮标识	Accessories 附件	
P1 A04696	F1 Without Remote Trip 2NO 无小插片 2NO 	V1 110V 50Hz V2 120V 50/60Hz V3 220V-240V 50/60Hz V4 230V 50Hz	M1 M2 M3 M4 M5 M6 M7 M8	A1 Waterproof Cover 防水罩 A2 Emergency stop button and Waterproof Cover 急停按钮和防水罩 PL1 PL12 PL13	
					P2 A04959
					P3 A05043
					P4 A04249

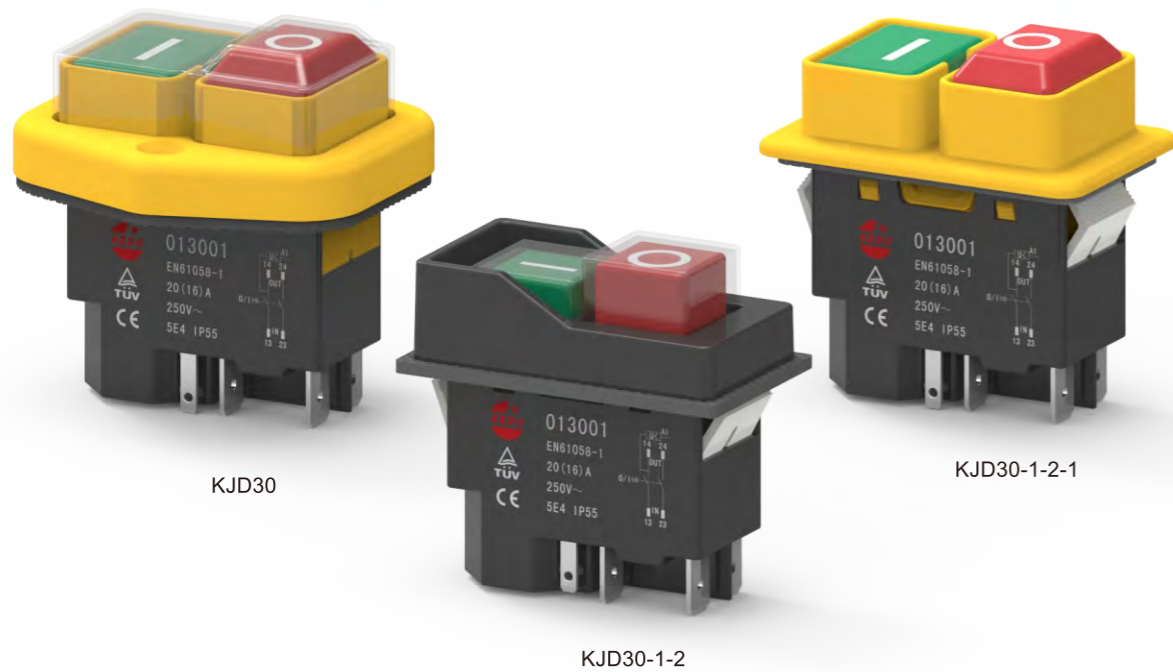
KJD30 Electromagnetic Switch

KJD30 电磁开关



KJD30 Electromagnetic Switch

KJD30 电磁开关



KJD30

KJD30-1-2

KJD30-1-2-1

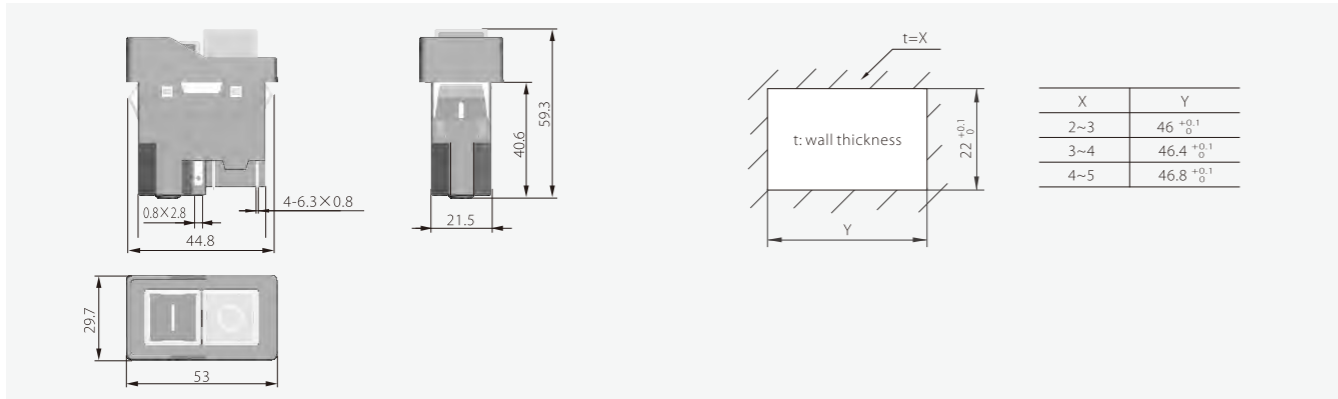
Description 描述

With the same dimensions as KJD17 but with a higher current, the smaller electromagnet has the same function of power-off and under voltage protection. We can also make the breakthrough of no direct connection between the electromagnet and spring, that has increased the contact pressure and spring pressure as per the required rating but keeps the same protection function so as to reduce the power consumption.

KJD30系列产品, 采用省力自锁机构, 实现了在与KJD17系列产品相同的外形尺寸条件下, 增大了电参数, 更小的电磁铁同样实现了停电与欠压保护, 同时实现了可与反力弹簧无直接关系的突破, 即可以根据电参数的需要而加大触点接触压力及复位压簧的压力, 不会影响保护功能, 从而降低了功耗。

Reference Dimension 参考尺寸

KJD30



Specifications 参数

Standard 标准	TUV(EN61058)	
Rated Voltage 额定电压	250V~	127V~
Rated Current 额定电流	20(16)A	22(18)A
Coil Voltage 线圈电压	220-240V~ 100-120V~	
Rated Frequency 额定频率	50/60Hz	
Degree of Protection 防护等级	IP55	
Number of operating Cycles 操作循环次数	5E4	

Snap-in Mounting Size 压扣式安装孔尺寸

Order options 订货选项

Appearance and Panel 外形图和面板	Function 功能	Coil Voltage/Frequency 线圈电压/频率	Marking on Button 按钮标识	Accessories 附件
KJD30 P1 	F1 Without Remote Trip 2NO 无小插片2NO 	V1 110V 50Hz	M1	A1 Waterproof Cover 防水罩 Type C
KJD30-1-2 P2 		V2 120V 50/60Hz		
KJD30-1-2-1 P3 	F2 With Remote Trip 2NO 带小插片2NO 	V3 220V-240V 50/60Hz	M2	Type B
KJD30-1-2-2 P4 		V4 230V 50Hz	M3	Type GF
KJD30-1-2-3 P5 			M4 ON OFF	Type BC
KJD30-1-2-4 P6 			M5	Type BD
KJD30-1-2-6 P7 			M6	
KJD30-1-2-5 P8 			M7	
KJD30-1-2-7 P9 			M8 ON OFF	A2 Rubber Sleeve 橡胶套 B
KJD30-1-2-8 P10 				A3 Type C

KJD16 KJD16-16 Electromagnetic Switch

KJD16 KJD16-16 电磁开关



KJD16 KJD16-16 Electromagnetic Switch

KJD16 KJD16-16 电磁开关



Description 描述

These switches have the following functions that derived from power-off and under voltage protection:

- 1.Double pole cut off
- 2.Brake function with one pole cut off
- 3.These two versions can be combined with overload protection switch to achieve under voltage and overload protection.

The advantage of our patented technology is high current with small size.

该系列开关在停电和欠电压保护功能的基础上可派生出以下几种功能:

- 1、两极全断开
- 2、一极断开带刹车功能
- 3、以上两种均可与热保护开关组合使用, 即同时具备欠压保护, 过载保护等。

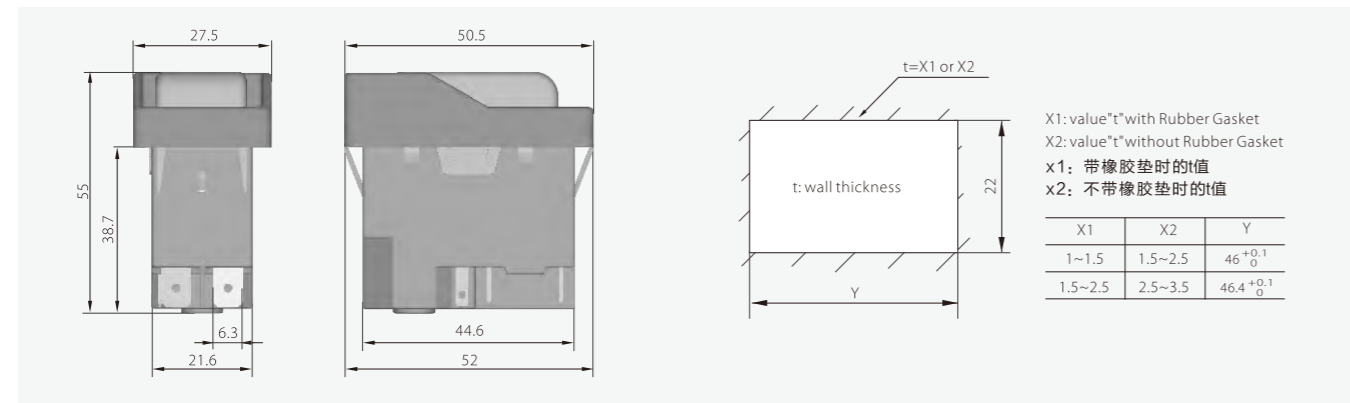
该专利技术体形小, 电流大。

Reference Dimension 参考尺寸

KJD16

Snap-in Mounting Size 压扣式安装孔尺寸

KJD16



Specifications 参数

Standard 标准	TUV(EN60947)	TUV(EN61058)		UL,CUL(UL508,E195428)		VDE,CE(DIN EN61058,VDE0630)
Type 型号	KJD16	KJD16,KJD16-16		KJD16,KJD16-16		KJD16
Rated Voltage 额定电压	250V~	120V~	250V~	120V~	220-240V~	250V~
Rated Current 额定电流	AC-1:18A AC-3:15A	18(16)A 16(16)A 10(8)A	18(16)A 16(12)A 10(8)A	16A 1/2HP 12A 1/2HP	16A 2HP	10(8)A
Coil Voltage 线圈电压	220-240V~ or 100-120V~					
Rated Frequency 额定频率	50/60Hz					
Degree of Protection 防护等级	IP54 (EN60947) IP55(EN61058)					
Number of operating Cycles 操作循环次数	5E4					
Ambient Temperature limits 环境温度	T55,T85,T85/55					

Order options 订货选项

Appearance and Panel 外形图和面板	Function 功能	Coil Voltage/Frequency 线圈电压/频率	Marking on Button 按钮标识	Accessories 附件
	F1 Without Remote Trip 2NO 无小插片2NO 	V1 110V 50Hz V2 120V 50/60Hz V3 220V-240V 50/60Hz V4 230V 50Hz	M1 M2	A1 Waterproof Cover 防水罩
	F2 With Remote Trip 2NO 带小插片2NO 			
	F3 With Remote Trip NO+NC 带小插片NO+NC 			

KJD16C Electromagnetic Switch

KJD16C 电磁开关



KJD16C Electromagnetic Switch

KJD16C 电磁开关



KJD16C(011605)

Description 描述

These switches have the following functions that are derived from power-off and under voltage protection:

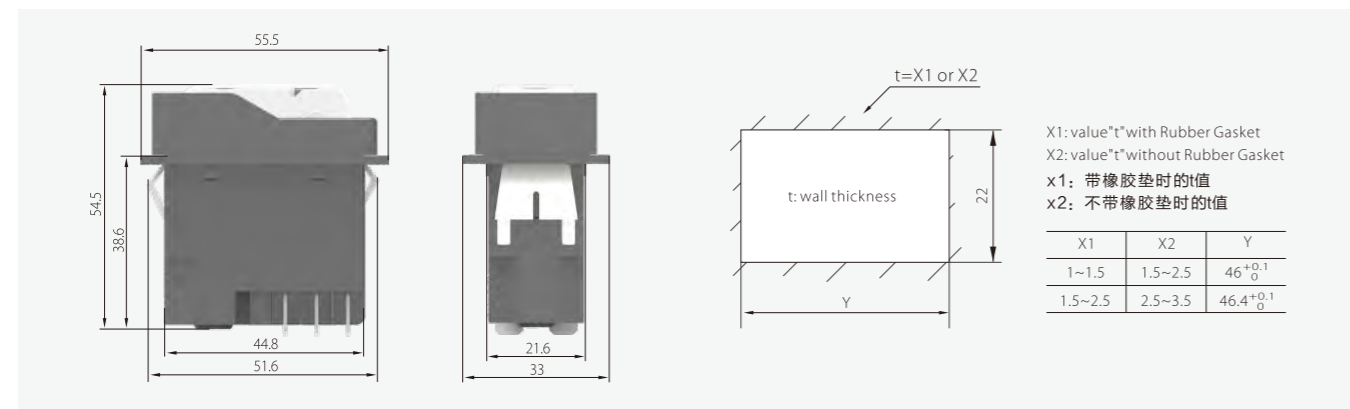
- 1.Brake function with double pole cut off
- 2.Combine with an overload protection switch for under voltage and overload protection.

该系列开关在停电和欠电压保护功能的基础上可派生以下几种功能:

- 1、两极全断开带刹车功能
- 2、可与热保护开关组合使用, 即同时具备欠压保护, 过载保护等。

Reference dimension 参考尺寸

Snap-in Mounting Size 压扣式安装孔尺寸



Specifications 参数

Standard 标准	TUV(EN60947)		TUV(EN61058)		
Rated Voltage 额定电压	250V~		125V~	250V~	125V~ 250V~
Rated Current 额定电流	NO 18A(AC-1);15A(AC-3);10A(AC-15) NC 15A(AC-1);15A(AC-3);8A(AC-15)		NO 18(16)A NC 16(16)A	NO 18(16)A NC 16(12)A	NO 16(16)A NC 12(12)A NO 16(15)A NC 12(10)A
Ambient Temperature 环境温度	-5°C~+40°C		T55		T85/55
Coil Voltage 线圈电压	220-240V~ or 100-120V~				
Rated Frequency 额定频率	50/60Hz				
Degree of Protection 防护等级	IP54				
Number of operating Cycles 操作循环次数	5E4				

Order options 订货选项

Appearance 外形图	Function 功能	Coil Voltage/Frequency 线圈电压/频率	Marking on Button 按钮标识	Accessories 附件
	F1 Without Remote Trip 2NO+NC 无小插片2NO+NC 	V1 110V 50Hz V2 120V 50/60Hz V3 220V-240V 50/60Hz V4 230V 50Hz	M1 M2 	A1 Waterproof Cover 防水罩
	F2 With Remote Trip 2NO+NC 带小插片2NO+NC 			

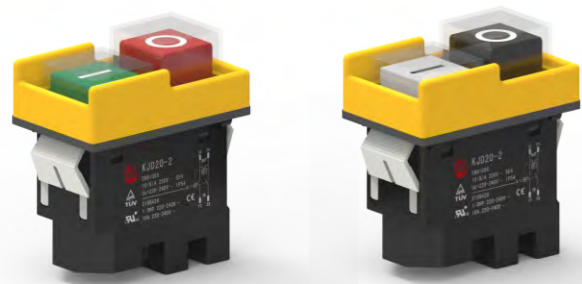
KJD20-2 Electromagnetic Switch

KJD20-2 电磁开关



KJD20-2 Electromagnetic Switch

KJD20-2 电磁开关



KJD20-3



KJD20-5



KJD20-2

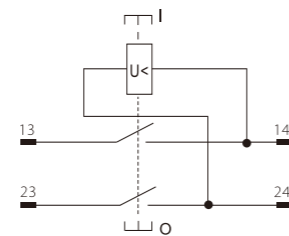
Description 描述

Integrated switch with Power-cut and under voltage protection. In case of Power-off or under voltage switch will cut off automatically, and it should re-start by hand when power is re-connected. The advantage of our patented technology is high current with small size.

该开关具有停电和欠电压保护功能。一旦断电或欠电压，开关自动断开，再来电时，须重新按开关。

该专利技术体形小，电流大。

Function 功能

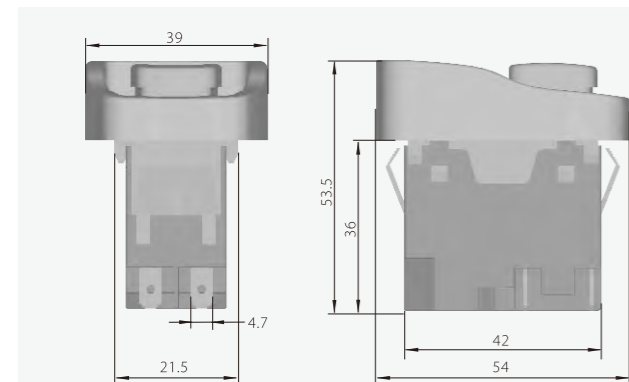


Specifications 参数

Standard 标准	TUV,CE (EN61058,EN60947)		UL,CUL (UL508,E195428)	
	Rated Voltage 额定电压	Rated Current 额定电流	Degree of Protection 防护等级	Number of operating Cycles 操作循环次数
	120V~	10(8)A	IP54	5E4
	250V~			

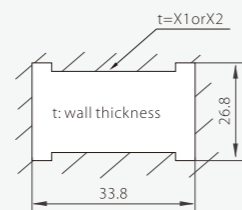
Reference Dimension 参考尺寸

KJD20-2



Snap-in Mounting Size 压扣式安装孔尺寸

KJD20-2



X1: value "t" with Rubber Gasket
X2: value "t" without Rubber Gasket
x1: 带橡胶垫时的值
x2: 不带橡胶垫时的值

X1	Y	X2
2~3	43.4 ^{+0.1} ₀	4~5
3~4	43.8 ^{+0.1} ₀	5~6
4~5	44.2 ^{+0.1} ₀	6~7

Order options 订货选项

Appearance and Panel 外形图和面板	Coil Voltage/Frequency 线圈电压/频率	Marking on Button 按钮标识	Accessories 附件
KJD20-5 P1	V1 120V~/50Hz	M1	Rubber Seal 橡胶垫
	V2 120V~/60Hz	M2	A1
	V3 230V~/50Hz	M3	A2
	V4 230V~/60Hz	M4	A3
	V5 240V~/50Hz	M5	
	V6 240V~/60Hz	M6	
KJD20-2 P2			

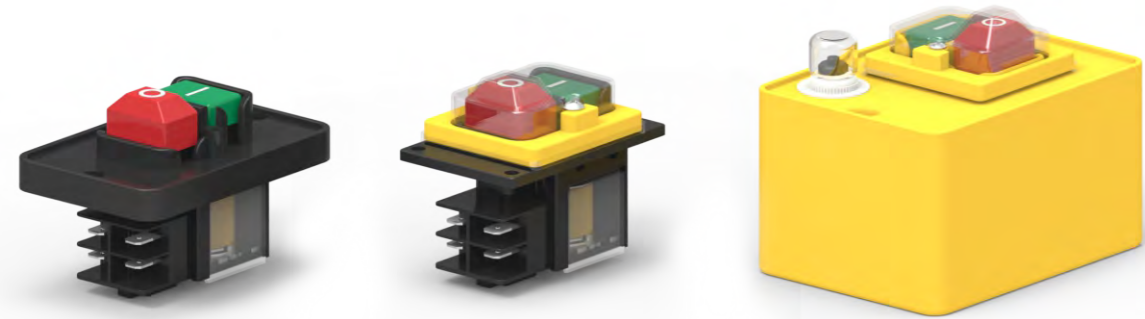
KJD12 Electromagnetic Switch

KJD12 电磁开关



KJD12 Electromagnetic Switch

KJD12 电磁开关



KJD12

KJD12-10ZF

KJD12-10

Description 描述

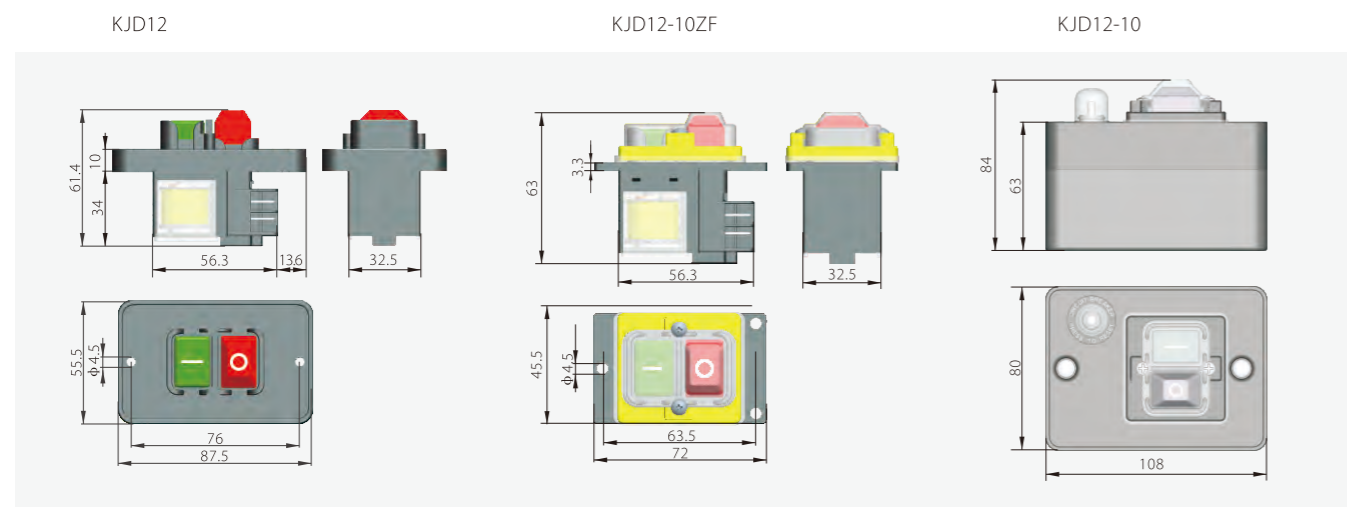
On-off and electric motor control with built-in under voltage and overload protection. Applicable for electrical machine tools such as electrical carpentry tools, bench drills, grinder, lathe, saws.

KJD12开关用于启动和控制电动机,具有欠电压保护和过载保护功能。它适用于木工机械、台钻、砂轮机,机床,台锯及电力拖动控制设备等。

Specifications 参数

Standard 标准	VDE0630, DIN(EN61058)	TUV(EN60947)	TUV(EN61058)		UL,CUL(UL508,E195428)	
Rated Voltage 额定电压	250V~	240V~	120V~	250V~	120V~	220-240V~
Rated Current 额定电流	10(8)A	10A(AC-3, AC-15)	16(16)A 10(8)A	16(12)A 10(8)A	16A 3/4HP	16A 1.5HP
Coil Voltage 线圈电压	120V~		220-240V~			
Rated Frequency 额定频率	50/60Hz					
Number of operating Cycles 操作循环次数	5E4					
Ambient Temperature Limits 环境温度	T85/55					
Degree of Protection 防护等级	IP54					

Reference Dimension 参考尺寸



Order options 订货选项

Panel 面板	Function 功能	Coil Voltage/Frequency 线圈电压/频率	Marking on Button 按钮标识	Accessories 附件		
P1 A01814 	F1 	V1 120V~/50Hz V2 120V~/60Hz V3 230V~/50Hz V4 230V~/60Hz V5 240V~/50Hz V6 240V~/60Hz	M1 M2 M3 M4 M5 M6	A1 Waterproof Cover 防水罩 A3 Emergency stop button and Waterproof Cover 急停按钮和防水罩 PL1 PL12 PL13		
P2 A05099 		P3 A05098 	P4 A01821 	P5 A06008 	P6 	F2 KJD12-10
P3 A05098 		P4 A01821 	P5 A06008 	P6 	F2 KJD12-10	
P4 A01821 		P5 A06008 	P6 	F2 KJD12-10		
P5 A06008 		P6 	F2 KJD12-10			
P6 		F2 KJD12-10				

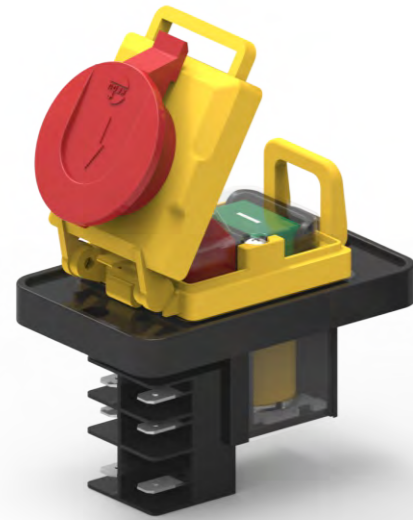
KJD12-14 Electromagnetic Switch

KJD12-14 电磁开关

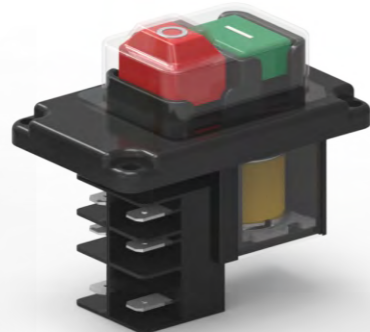


KJD12-14 Electromagnetic Switch

KJD12-14 电磁开关



KJD12-14



KJD12-14-2

Description 描述

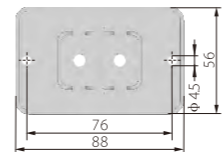
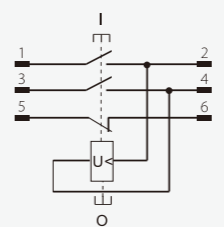

















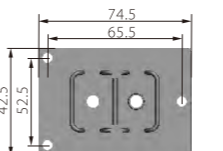
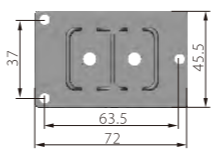
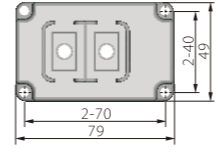
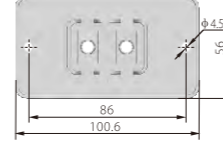
On/off and electric motor control with built-in under voltage and overload protection. Applicable for electrical machine tools such as electrical carpentry tools, bench drills, grinders, lathes and saws.

KJD12-14开关用于启动和控制电动机,具有欠电压保护和过载保护功能。它适用于木工机械、台钻、砂轮机、机床、台锯,及电力拖动控制设备等。

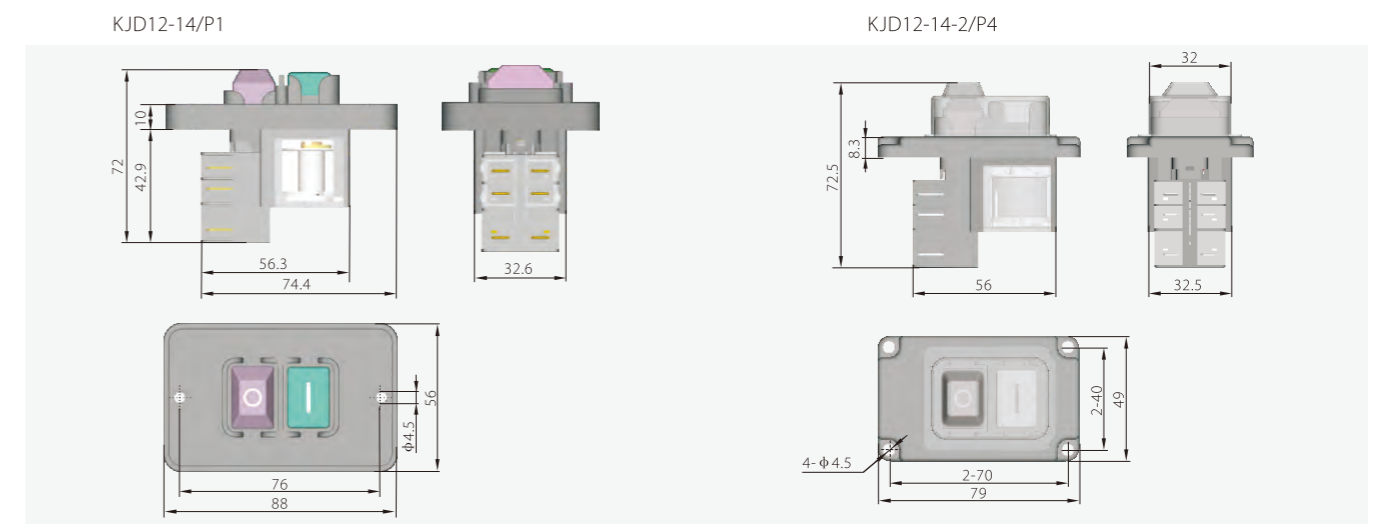
Specifications 参数

Standard 标准	TUV (EN61058)		TUV (EN60947)	UL,CUL(UL508,E195428)		
Rated Voltage 额定电压	120V~	250V~	250V~	100-120V~	220-240V~	100-120/ 220-240V~
Rated Current 额定电流	18(18)A	16(12)A	18A(AC-1) 15A(AC-3)	1HP	1.5HP	16A
Coil Voltage 线圈电压	120V~; 220~240V~					
Rated Frequency 额定频率	50/60Hz					
Degree of Protection 防护等级	IP54					
Number of operating Cycles 操作循环次数	5E4					
Ambient Temperature Limits 周围环境温度	T85/55orT55					
Terminals 端子	Faston6.3 × 0.8mm 插片6.3 × 0.8mm					

Order options 订货选项

Panel 面板	Function 功能	Coil Voltage/Frequency 线圈电压/频率	Marking on Button 按钮标识	Accessories 附件
P1 A01814 	F1 	V1 120V~/50Hz V2 120V~/60Hz V3 230V~/50Hz V4 230V~/60Hz V5 240V~/50Hz V6 240V~/60Hz	M1   M2   M3   M4   M5   M6  	A1 Waterproof Cover 防水罩  A2 For Panel P2 适用于面板P2  A3 Emergency stop button and Waterproof Cover 急停按钮和防水罩 PL1  PL12  PL13 
P2 A05099 				
P3 A05098 				
P4 A01821 				
P5 A06008 				

Reference Dimension 参考尺寸



KJD18 Electromagnetic Switch

KJD18 电磁开关



KJD18 Electromagnetic Switch

KJD18 电磁开关



Description 描述


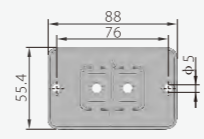
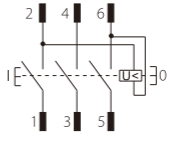










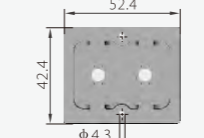
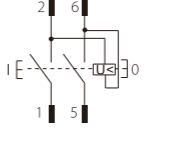
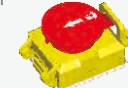



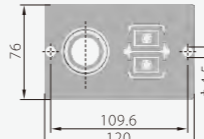
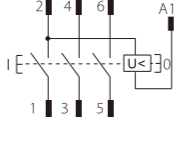

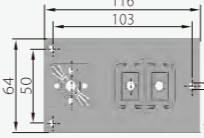
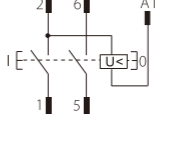
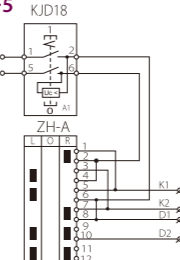
Switch KJD18 can be used to turn on and control electrical motors as it has under voltage and restart protection. Advanced features include controlling the electrical motor movement and acting as a replacement for a two directional switch.

KJD18开关用于启动和控制电动机，具有欠电压及停电保护功能，并能控制电动机的正反转和替代正反开关的功能。

Specifications 参数

Standard 标准	TUV (EN60947)	TUV (EN61058)	
Rated Voltage 额定电压	400V~	250V~	400V~
Rated Current 额定电流	7.5A(AC-3) 6A(AC-15)	15(12)A	15(8)A
Rated Frequency 额定频率	50/60Hz		
Degree of Protection 防护等级	IP54		
Number of operating Cycles 操作循环次数	5E4		
Poles 级数	2-poles or 3-poles 2极或3极		
Terminals 端子	Faston 6.3 × 0.8mm or Screw terminal 插片6.3 × 0.8mm或螺纹端子		
Phase 相数	Single phase and Three phase 单相和三相		

Order options 订货选项

Appearance and Panel 外形图和面板	Function 功能	Coil Voltage/Frequency 线圈电压/频率	Marking on Button 按钮标识	Accessories 附件
KJD18  P1 A01904 	F1 Without Remote Trip-Three Phase 	V1 110-120V~/50Hz V2 110-120V~/60Hz V3 230V~/50/60Hz V4 400V~/50/60Hz	M1  M2  M3  M4  M5  M6 	A1 With Waterproof Cover 防水罩   A2 Rubber Sleeve 橡胶套 
KJD18(011801042)  P5 A05645 	F3 Without Remote Trip-Single Phase 			A3 Emergency stop button and Waterproof Cover 急停按钮和防水罩 PL1  PL12  PL13 
KJD18-9  P6 A01914 	F2 With Remote Trip-Three Phase 			
KJD18-7  P7 A01913 	F4 With Remote Trip-Single Phase 			
	F5 KJD18 			

KJD18 Electromagnetic Switch

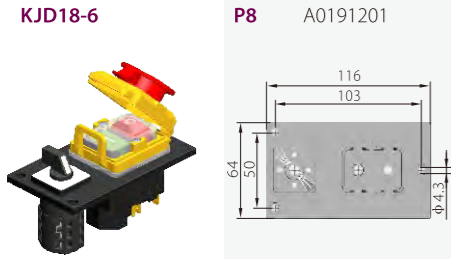
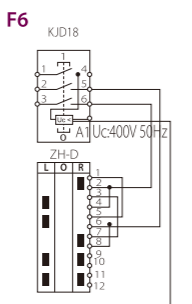















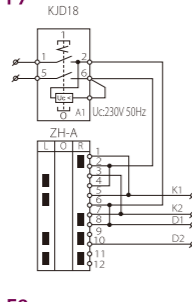





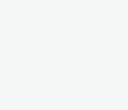
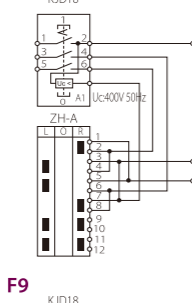
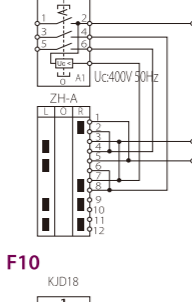
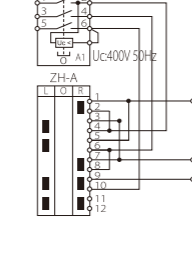
KJD18 电磁开关



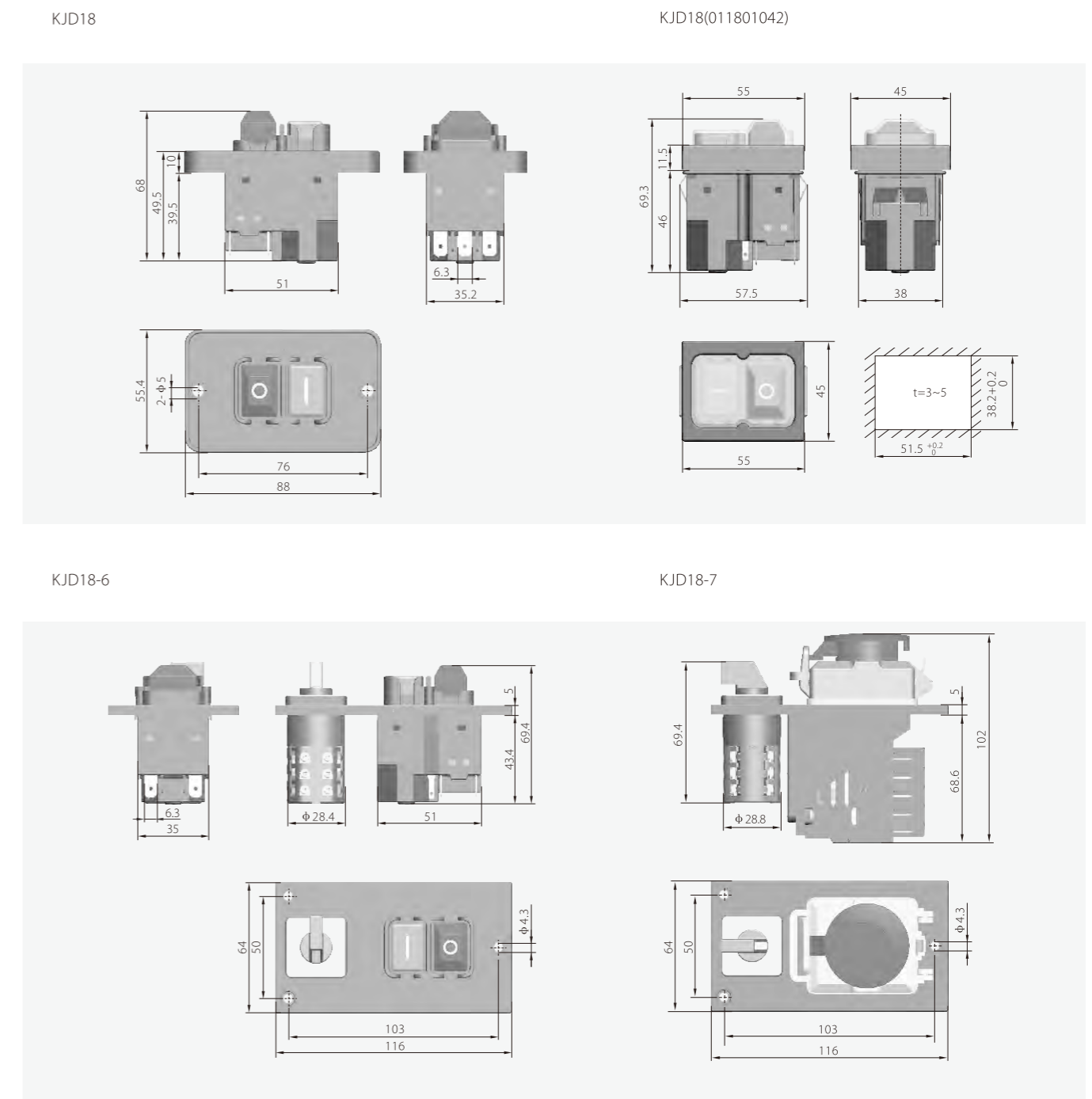
KJD18 Electromagnetic Switch

KJD18 电磁开关

Order options 订货选项

Appearance and Panel 外形图和面板	Function 功能	Coil Voltage/Frequency 线圈电压/频率	Marking on Button 按钮标识	Accessories 附件	
 <p>KJD18-6 P8 A0191201</p>	F6 	V1 120V~/50Hz V2 120V~/60Hz V3 230V~/50Hz V4 230V~/60Hz V5 240V~/50Hz V6 240V~/60Hz	M1   M2   M3   M4   M5   M6  	A1 With Waterproof Cover 带防水罩    For Emergency Stop Button 急停按钮专用	
	F7 				A3 Emergency stop button and Waterproof Cover 急停按钮和防水罩      
	F8 				
	F9 				
	F10 				

Reference Dimension 参考尺寸



KJD18-2 Electromagnetic Switch

KJD18-2 电磁开关



KJD18-2 Electromagnetic Switch

KJD18-2 电磁开关



KJD18-2

Description 描述

The switch KJD18-2 can be used to turn on and control electrical motors as it has low voltage and restart protection

1. Trip function
2. Automatically disconnects when low voltage
3. Reduced noise

KJD18-2开关用于启动和控制电动机，具有欠电压及停电保护功能。

- 1、具有脱扣功能
- 2、带突跳断开，开关性能更稳定
- 3、开关吸合稳定，噪音小

Specifications 参数

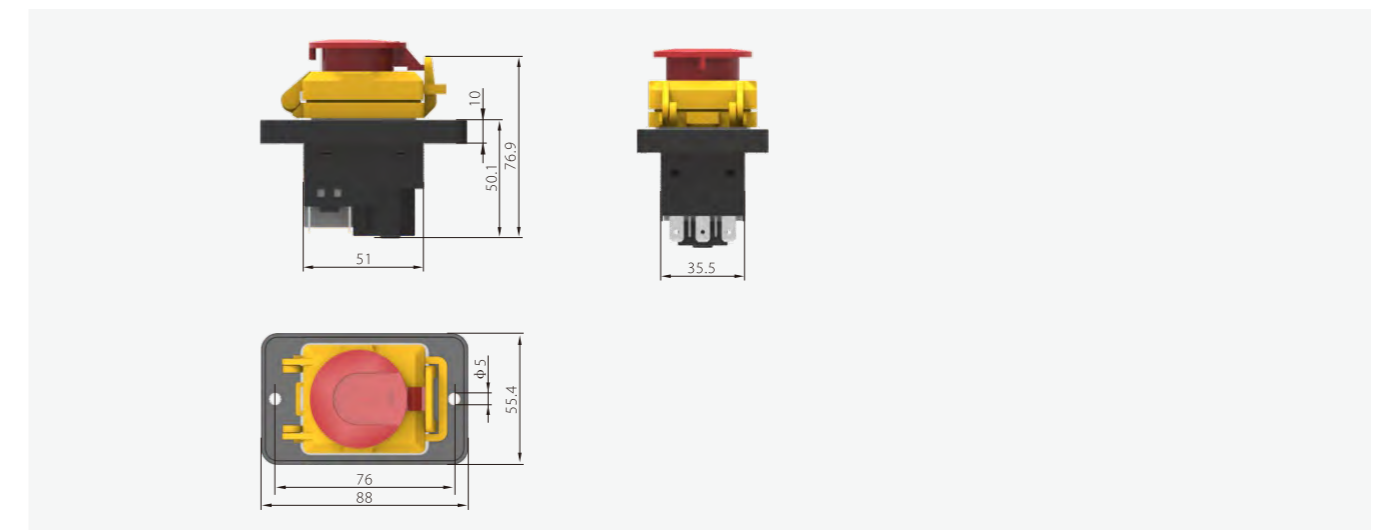
Standard 标准	TUV (EN61058)	
Rated Voltage 额定电压	250V~	400V~
Rated Current 额定电流	15(12)A	15(8)A
Rated Frequency 额定频率	50/60Hz	
Degree of Protection 防护等级	IP54	
Number of operating Cycles 操作循环次数	5E4	
Poles 级数	2-poles or 3-poles 2极或3极	
Terminals 端子	Faston 6.3 × 0.8mm or Screw terminal 插片6.3 × 0.8mm或螺纹端子	
Phase 相数	Three phase 三相	

Order options 订货选项

Appearance 外形图	Function 功能	Coil Voltage/Frequency 线圈电压/频率	Marking on Button 按钮标识	Accessories 附件
<p>KJD18-2</p>	F1 Without Remote Trip-Three Phase 	V1 120V~/50Hz V2 120V~/60Hz V3 230V~/50Hz V4 230V~/60Hz	M1	A1 With Waterproof Cover 带防水罩
	F2 With Remote Trip-Three Phase 	V5 240V~/50Hz V6 240V~/60Hz V7 400V~/50Hz V8 400V~/60Hz	M2 M3 M4 M5 M6	
	F3 Without Remote Trip-Single Phase 			
	F4 With Remote Trip-Single Phase 			

Reference Dimension 参考尺寸

KJD18-2(011811)



KOA24-5 Electromagnetic Switch

KOA24-5 电磁开关



KJD24-5 Electromagnetic Switch

KOA24-5 电磁开关



KJD24-5

Description 描述

The KJD24-5 switches are made with an electromagnetic switch and various outlet sockets and plug combinations. It can control motors and connect the power safely. It can open contacts when the power reduces or fails. Safety is greatly improved.

以电磁开关为主体，配上不同国家插座，能安全地连接电源，并具有停电和欠电压保护功能。

Specifications 参数

Standard 标准	EN60947
Rated Voltage 额定电压	250V~
Rated Current 额定电流	AC-1:18A AC-3:15A
Number of operating Cycles 操作循环次数	5E4
Degree of Protection 防护等级	IP54

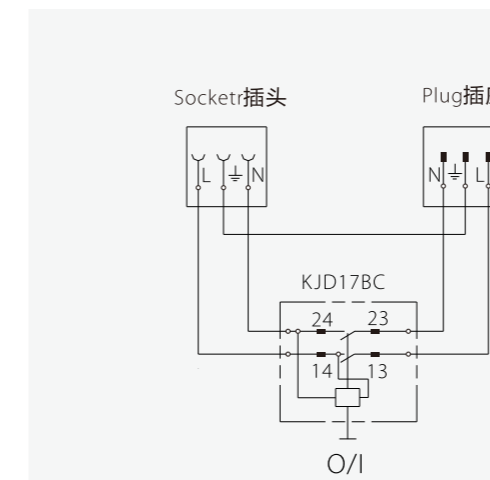
Cable with plug: H07RN-F3Gx1.00mm²(1.5mm²)+Plug 16A 250V
带插头的引出线: H07RN-F3Gx1.00mm²(1.5mm²)+Plug 16A 250V

Order options 订货选项

Plug and Socket 插头插座	Coil Voltage/Frequency 线圈电压/频率	Marking on Button 按钮标识	Accessories 附件
 <p>PS1 Germany Plug and Socket 欧式插头和德式插座</p>	V1 120V~/50Hz	M1 	A1 With Waterproof Cover 带防水罩 
	V2 120V~/60Hz	M2 	
	V3 230V~/50Hz	M3 	
V4 230V~/60Hz	M4 		
V5 240V~/50Hz	M5 		
V6 240V~/60Hz	M6 		
 <p>PS2 French Plug and Socket 欧式插头和法式插座</p>			
 <p>PS3 Swiss Plug and Socket 瑞式插头和插座</p>			

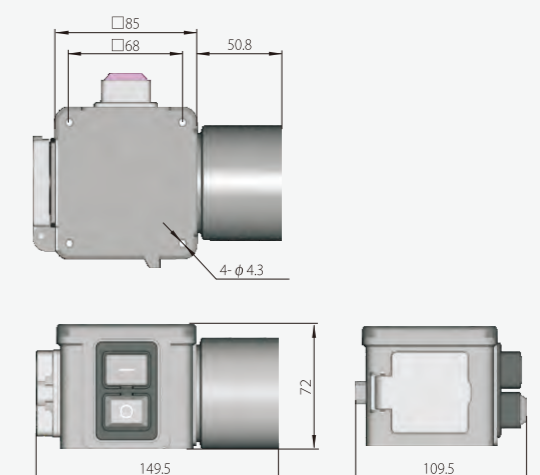
Function 功能

KJD24-5



Reference Dimension 参考尺寸

KJD24-5



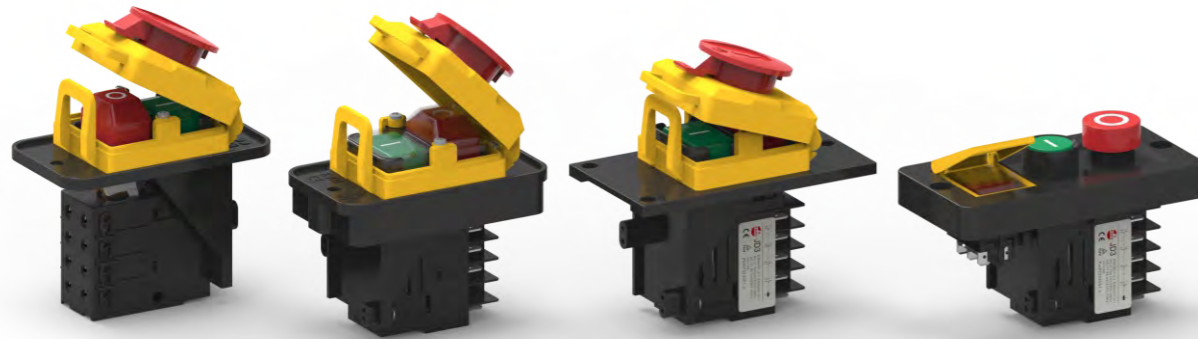
KJD11 Electromagnetic Switch

KJD11电磁开关



KJD11 Electromagnetic Switch

KJD11 电磁开关



KJD11

KJD11A

KJD11B-10ZF

KJD11-10D

Description 描述

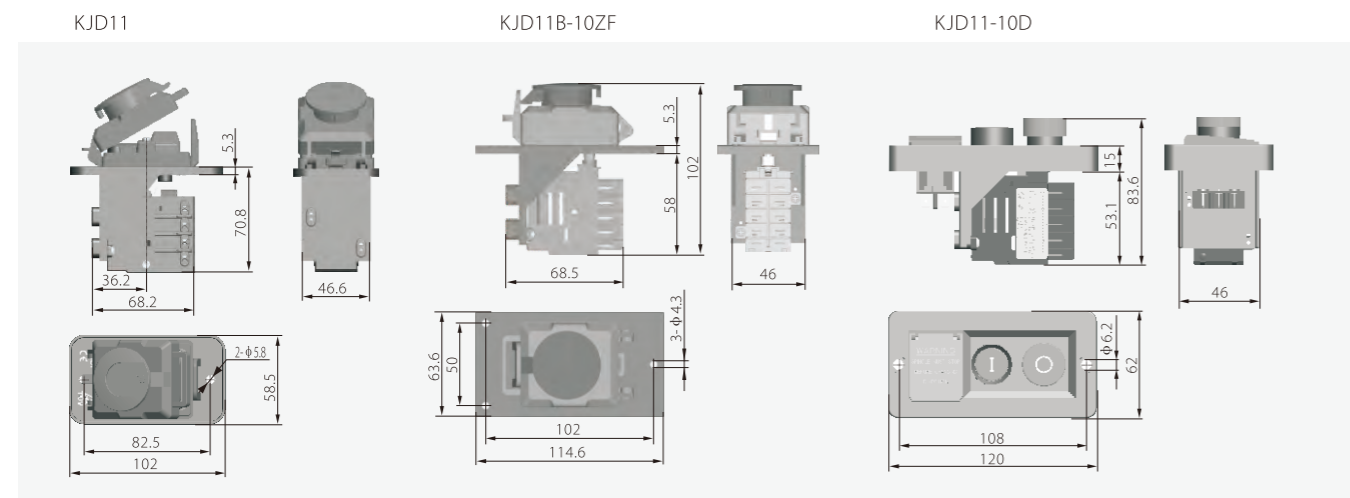
The main body consists of relay KJD31, JD3 or JD4.
The switch KJD11 can control electrical motors.
Integrated switch with restart and low voltage protection.

KJD11主体由继电器KJD31, JD3或JD4构成
KJD11能控制电动机,并具有停电和欠压保护功能

Specifications 参数

Standard 标准	TUV,CE(EN60947)		TUV,CE(EN61058)	
	Rated Voltage 额定电压	230V~	400V~	250V~
Rated Current 额定电流	16A(AC-3) 8A(AC-15)	12A(AC-3) 8A(AC-15)	12(12)A	12(10)A
Rated Frequency 额定频率	50/60Hz			
Number of operating Cycles 操作循环次数	5E4			
Phase 相数	Single phase or Three phase 单相或三相			

Reference Dimension 参考尺寸



Order options 订货选项

Panel 面板	Function 功能	Marking on Button 按钮标识	Accessories 附件	Voltage/Frequency 电压/频率
P1 	F1 Three Phase 三相 	M1 M2	A1 Waterproof Cover 防水罩 A2 Emergency stop button and Waterproof Cover 急停按钮和防水罩 	V1 100-120V~/50Hz V2 100-120V~/60Hz V3 230V~/50Hz V4 230V~/60Hz V5 400V~/50Hz V6 400V~/60Hz
	F4 Three Phase 三相 	M5 M6		
	P3 			
P4 	F5 Single Phase with bi-direction reversing 单相带正反开关 	M7 M8 M9		
	F6 Three Phase with bi-direction reversing 三相带正反开关 	M10		

KJD21 Electromagnetic Switch

KJD21 电磁开关



KJD21 Electromagnetic Switch

KJD21 电磁开关



KJD21

Description 描述

The KJD21 switches can be used to turn on and control electric motors as it has restart and low voltage protection. Advanced features including electric motor bi-direction reverse control, acting as a replacement for bi-direction reversing switch.

KJD21开关用于启动和控制电动机，具有断电和欠电压保护功能，并能控制电动机的正反转和替代正反开关的先进功能。

Specifications 参数

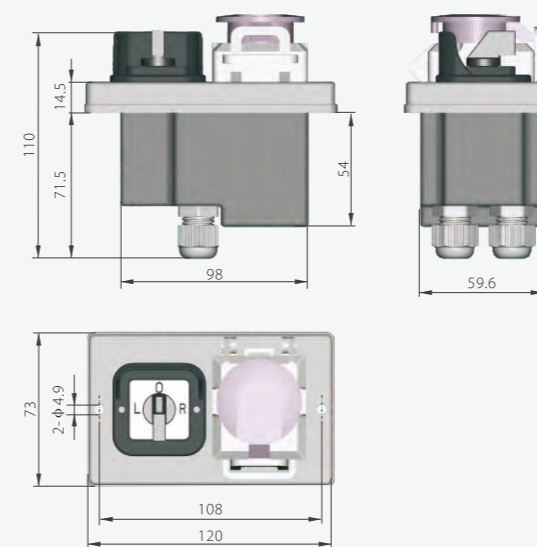
Standard 标准	CE(EN60947)	
Rated Voltage 额定电压	120/230V~	400V~
Rated Current 额定电流	16A(AC-3) 8A(AC-15)	12A(AC-3) 8A(AC-15)
Rated Frequency 额定频率	50/60Hz	
Number of Operating Cycles 操作循环次数	5E4	
Phase 相数	Single phase or Three phase	

Order options 订货选项

Function 功能	Voltage/Frequency 电压/频率	Marking on Button 按钮标识	Accessories 附件
F1 Three Phase 三相 	V1 100-120V/50Hz V2 100-120V/60Hz V3 230V/50Hz V4 230V/60Hz V5 400V/50Hz V6 400V/60Hz	M1 M2 M3 M4 M5 M6	A1 Waterproof Cover 防水罩 A2 Emergency stop button and Waterproof Cover 急停按钮和防水罩
F2 Single Phase 单相 			
F3 Three Phase 三相 			

Reference Dimension 参考尺寸

KJD21



KJD22 Electromagnetic Switch

KJD22 电磁开关



KJD10 Electromagnetic Switch

KJD10 电磁开关

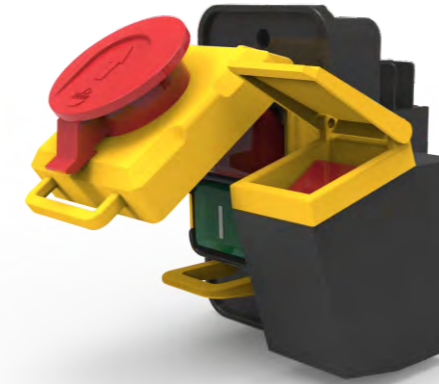


KJD22

Description 描述

Switches KJD22 are a combination of the electromagnetic switch KJD12 with additional various sockets. It can be used safely to control circuits and motors and also has power off and under voltage protection function.

KJD22由KJD12电磁开关为主体，并配不同国家式样的插座、能安全使用在线路控制和马达控制，并具有停电和欠电压保护功能。



KJD10

Description 描述



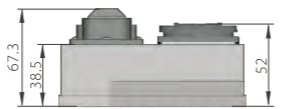


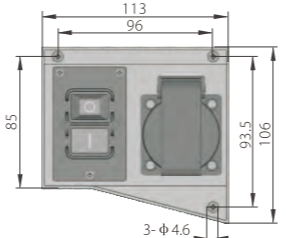

The main body consists of a relay and rotary switch. The main technical data is identical to the JD3 and JD4. The KJD10 switch can control the electrical motors movement and act as a replacement for two directional switches. Integrated switch with restart and low voltage protection.

KJD10主体由继电器和转换开关构成主要技术参数同继电器JD3或JD4，该开关能控制电动机的正反转和代替正反开关，并具有停电和欠压保护功能。

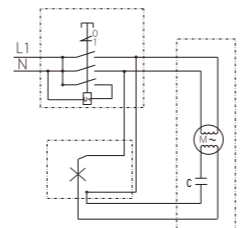


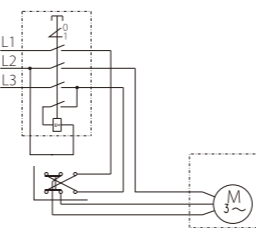
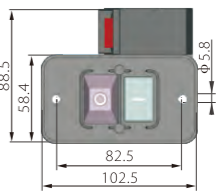
Specifications 参数

Standard 标准	VDE,TUV,CE(VDE0630,EN61058)	VDE,TUV,CE(EN60947)	UL,CUL(UL508,E195428)	
Rated Voltage 额定电压	120/250V~	220/250V~	120V~	220-240V~
Rated Current 额定电流	10(8)A	10A(AC-3, AC-15)	16A 3/4HP	16A 1.5HP
Rated Frequency 额定频率	50/60Hz			
Number of Operating Cycles 操作循环次数	5E4			

Order options 订货选项

Socket 插座	Voltage/Frequency 电压/频率	Marking on Button 按钮标识	Accessories 附件	Reference Dimension 参考尺寸
S1 German Socket 德式插座 	V1 120V~/50Hz	M1	A1 Waterproof Cover 防水罩 	 67.3, 38.5, 52
	V2 120V~/60Hz	M2		
	V3 230V~/50Hz	M3		
S2 French Socket 法式插座 	V4 230V~/60Hz	M4	A2 Emergency stop button and Waterproof Cover 急停按钮和防水罩 	 113, 96, 85, 93.5, 106, 3-φ4.6
	V5 240V~/50Hz	M5		
S3 Swiss Socket 瑞式插座 	V6 240V~/60Hz	M6		

Order options 订货选项

Function 功能	Voltage/Frequency 电压/频率	Marking on Button 按钮标识	Accessories 附件	Reference Dimension 参考尺寸
F1 Single Phase 	V1 100-120V~/50Hz	M1	A1 Waterproof Cover 防水罩  A2 Emergency stop button and Waterproof Cover 急停按钮和防水罩 	 105, 48.5, 21.8, 68.5, 34, 46.4
	V2 100-120V~/60Hz	M2		
	V3 230V~/50Hz	M3		
	V4 230V~/60Hz	M4		
	V5 400V~/50Hz	M5		
F2 Three Phase 	V6 400V~/60Hz	M6		 88.5, 58.4, 82.5, 102.5, φ5.6

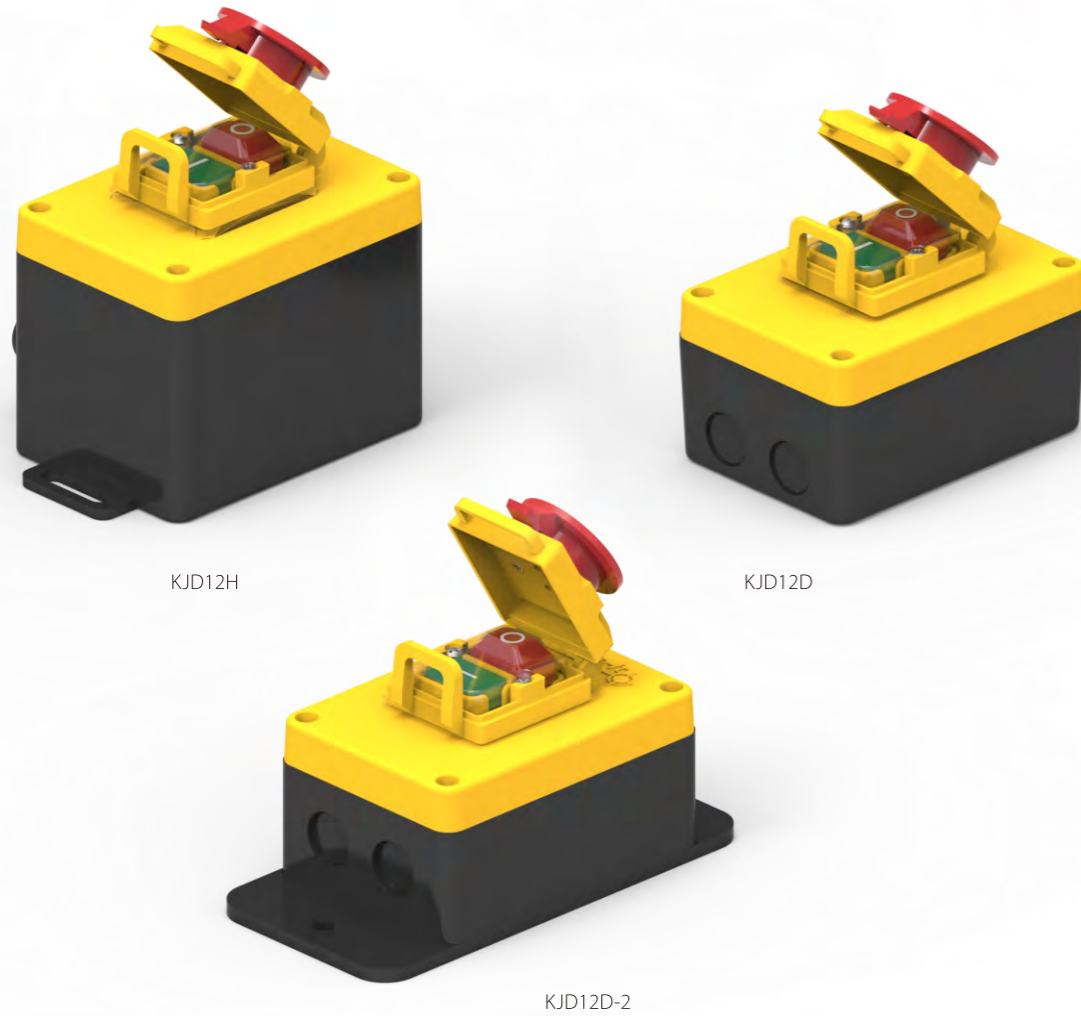
KJD12D KJD12H Electromagnetic Switch

KJD12D KJD12H 电磁开关



KJD12D KJD12H Electromagnetic Switch

KJD12D KJD12H 电磁开关



KJD12H

KJD12D

KJD12D-2

Description 描述

The KJD12D and KJD12H switches combine an electromagnetic switch with various sockets. They can be safely used to control the circuit and motor, with the function of power-off and under voltage protection.

以电磁开关为主体，配上不同国家插座，能安全地连接电源，并具有停电和欠电压保护功能。

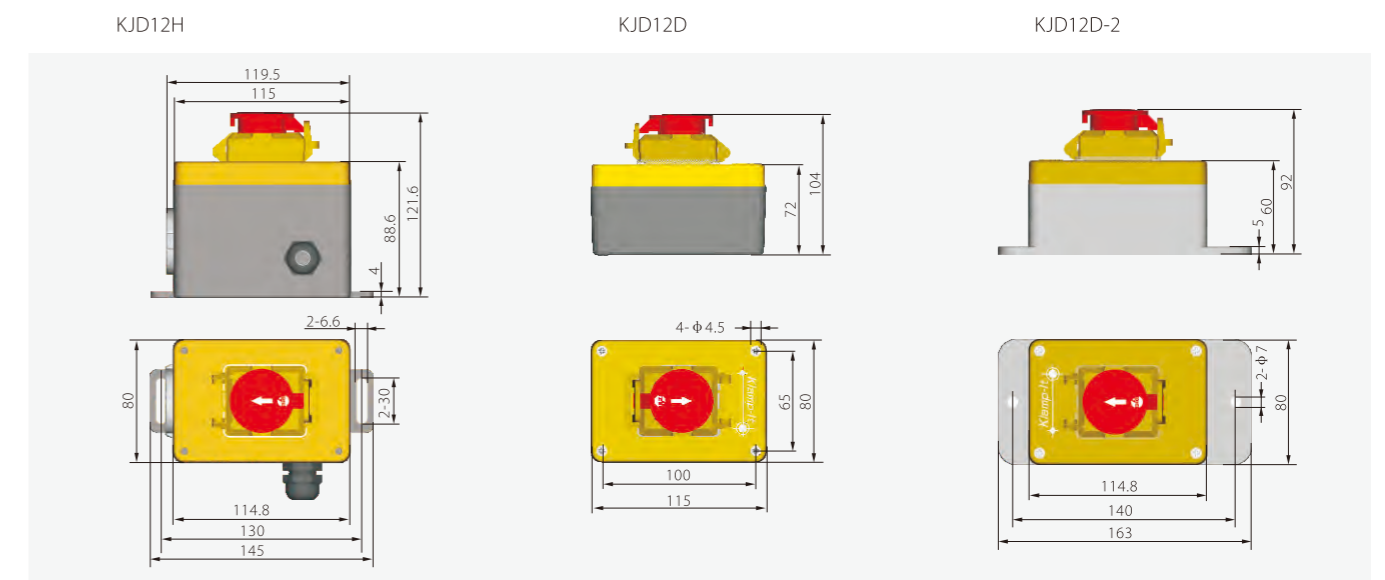
Specifications 参数

Standard 标准	VDE0630, EN61058	TUV(EN61058)		UL, CUL(UL508,E195428)	
Rated Voltage 额定电压	250V~	120V~	250V~	120V~	220-240V~
Rated Current 额定电流	10(8)A	16(16)A	16(12)A	16A 3/4HP	16A 1.5HP
Rated Frequency 额定频率	50/60Hz				
Number of Operating Cycles 操作循环次数	5E4				
Terminal 端子	6.3 × 0.8mm				

Order options 订货选项

Panel & box 面板/盒子	Socket & Plug 插头插座	Coil Voltage/Frequency 线圈电压/频率	Marking on Button 按钮标识	Accessories 附件
PB1 	PS1 UK Plug and Socket 英式插头和插座 	V1 120V~/50Hz V2 120V~/60Hz V3 230V~/50Hz	M1 M2	A1 Waterproof Cover 防水罩
PB4 		V4 230V~/60Hz V5 240V~/50Hz V6 240V~/60Hz	M3 M4 M5 M6	
PB2 	PS2 German Plug and Socket 德式插头和插座 			
PB5 				
PB3 				
PB6 				
PB7 				

Reference Dimension 参考尺寸



KJD17-11 Electromagnetic Switch

KJD17-11 电磁开关



KJD17-11 Electromagnetic Switch

KJD17-11电磁开关



KJD17-11

Description 描述

The KJD17-11 permanent magnetic DC motor speed controller is used to mechanically control speed in lathes and drills, by adopting PWM broad pulse modulation technology and PID control. It has the characteristic of broad speed, speed balancing, high overload capability, synchronously manual reversing function, constant power soft starting, output current peak value limitation and real-time speed display with 12V 50W quartz light power outlet.

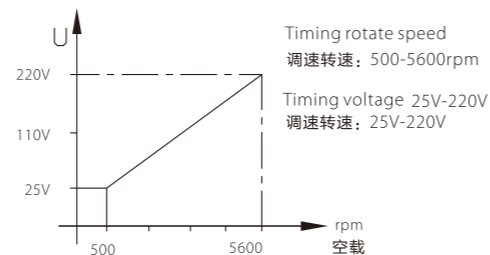
KJD17-11永磁直流电机调速器采用PWM脉宽调制技术和PID控制理论，基调速范围广，速度运行平衡，过载能力强，该调速器具有正反转手动切换、恒功软启动、输入电流峰值限制、转速实时显示、12V 50W石英灯电源输出等功能。可广泛用于车床，钻床等机械的速度控制。

Specifications 参数

Input Voltage 额定电压	240V 50Hz
Output Voltage 输出电压	25-220VDC
Output Power 输出功率	750W
Soft Starting Time 软启动时间	≤2s
Overload Capability 过载能力	100%
Lighting Output 照明输出	12V 50W

Function 功能

KJD17-11

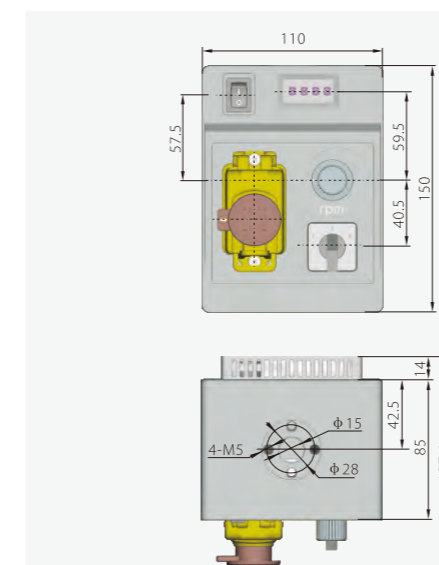


Order options 订货选项

Subassembly 组件	Specifications 参数	
HY17 	TUV(EN61058) 250V~ 12(6)A Number of Operating Cycles 操作循环次数:5E4	UL1054(E200089) 125V~ 250V~ 18VDC 8A 4A 2A Number of Operating Cycles 操作循环次数:6E3
KJD17B 	TUV(EN60947,EN61058) 250V~ 120V~ 250V~ AC-1:18A 10(8)A 10(8)A AC-3:15A 18(16)A 16(2)A Number of Operating Cycles 操作循环次数:5E4	UL,CUL(UL508,E195428) VDE,CE(DIN EN61058, VDE0630) 120V~ 220-240V~ 250V~ 16A 1/2HP 16A 2HP 10(8)A
ZH-A 	TUV, CE (EN61058) 400V~ 10(6)A Number of Operating Cycles 操作循环次数:5E4	UL508 125V~ 250V~ 18A 12A

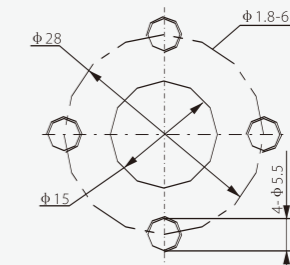
Reference Dimension 参考尺寸

KJD17-11



Mounting size 安装孔尺寸

KJD17-11



Combined Electromagnetic Switches

组合电磁开关

Relays, electromagnetic switch, cam switch or push button switch, thermal protection switch, various European plug, brake module, emergency stop button .etc combination of applications, with power-cut protection, under voltage protection, overload protection, rapid braking functions, according to user needs, hundreds of functions can be derived.

继电器，电磁开关，转换开关或按动开关，热保护开关，各种欧式插头，刹车模块，急停钮等的组合应用，具有停电保护，欠电压保护，过载保护，快速刹车等功能，根据用户需要，可派生出几百种功能。



Always pushing the boundaries of technology and quality.

苛求品质，不断超越

KOA7 Electromagnetic Switch

KOA7 电磁开关



KOA7 Electromagnetic Switch

KOA7 电磁开关



KOA7-10



KOA7-39



KOA7-18



KOA7-61

Description 描述



















The KOA7 switch-plug combination switches can open contacts if the rated voltage is reduced or the power fails. Provided with various plugs widely used in many countries. With the emergency stop button and waterproof housing, safety is greatly improved.

欧式组合停电和欠电压保护开关，配有各种欧式插头供选择。配上能锁的急停盖和防水罩，更加安全可靠。

Specifications 参数

Standard 标准	TUV, CE(EN61058)		TUV, CE(EN60947)	
	Rated Voltage 额定电压	250V~	400V~	230V~
Rated Current 额定电流	12(12)A	12(10)A	16A (AC-3) 8A (AC-15)	12A (AC-3) 8A (AC-15)
Degree of Protection 防护等级	IP44		IP54	
Plug Section 插头	2P+E or 3P+N+E 16A			
Number of operating Cycles 操作循环次数	5E4			

Order options 订货选项

Plug 插头	Marking on Button 按钮标识	Fixing method 固定方式	Housing 底座	Accessories 附件
E1 Single Phase Black Plug 单相黑插头 P224(2P+E) 	M1 	FM1 Screw Type 螺钉式 	KOA7-18 	A1 PL2 
E2 Single Phase Blue Plug 单相蓝插头 P224(2P+E) 				A2 PL6 
E3 Three Phase Red Plug 三相红插头 P225(3P+E+N) 	M2 	FM2 Rivet Type 铆钉式 		A3 PL7 
E4 Three Phase Red Plug with phase change 三相带换向插头 P226E(3P+E+N) 				A4 Waterproof Cover 防水罩 
E5 Three Phase Red Plug 三相红插头 P241(3P+E) 	M3 	M4 	KOA7-39 	A5 PL11 
E6 Single Phase Blue Plug 单相蓝插头 P224-8(2P+E) 				A6 PL11-2 
E7 Single Phase Yellow Plug 单相黄插头 P224-9(2P+E) 	M5 	M6 		A7 PL7-2 
E8 US Plug 美式插头 P324(2P+E) 				A8 Waterproof Cover 防水罩 
E9 German Plug 德式插头 P224-7(2P+E) 	M7 	M8 	KOA7-10 	A9 Waterproof Cover 防水罩 
E10 German Plug 德式插头 P224E-7(2P+E) 				E11 Single Phase Plug 单相插头 P224E-11(2P+E) 
E13 Swiss Plug 瑞士插头 P224-4-2 				

KOA7 Electromagnetic Switch

KOA7 电磁开关



KOA7 Electromagnetic Switch

KOA7 电磁开关

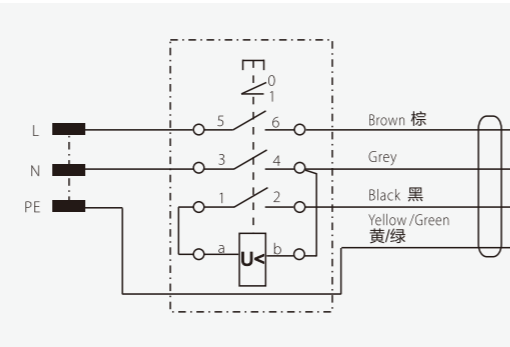
Function Options 功能选项

Function Options 功能选项

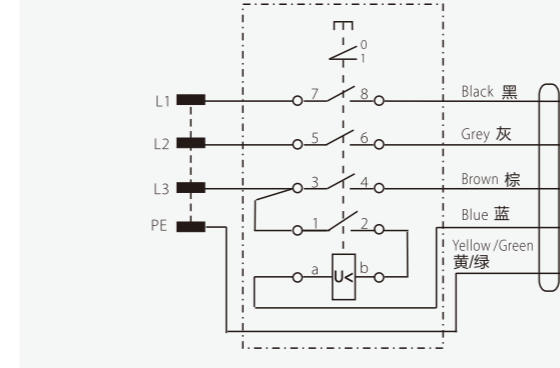
F1



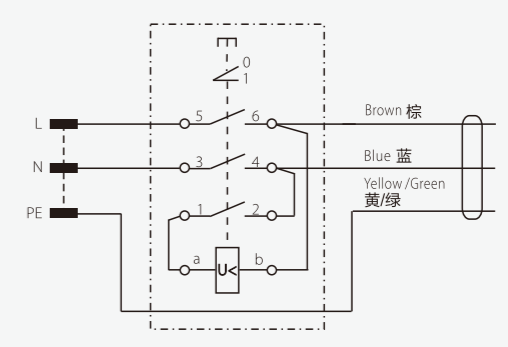
F2



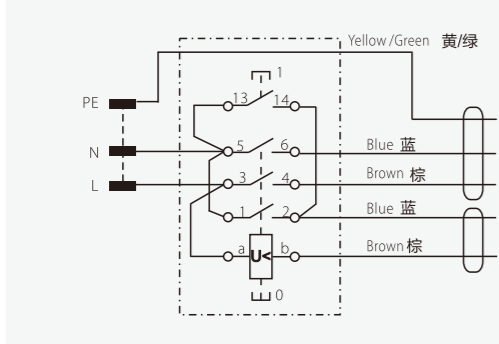
F9 KOA7-21



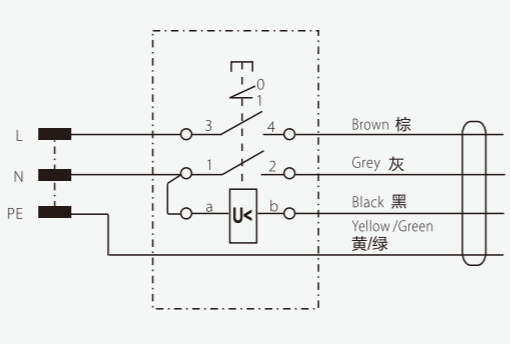
F10



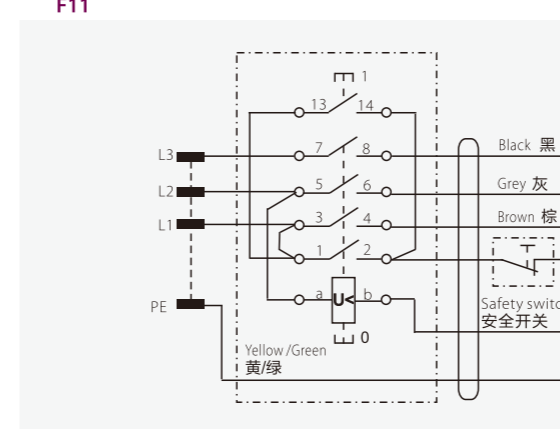
F3



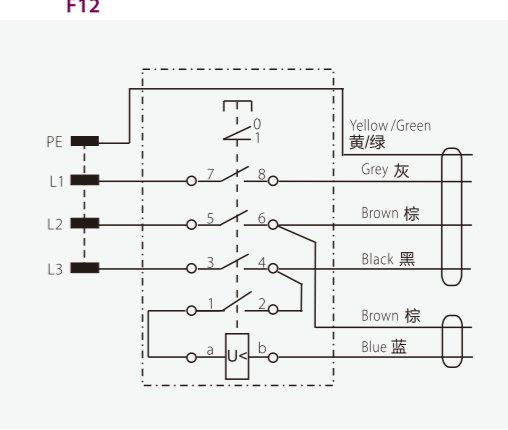
F4



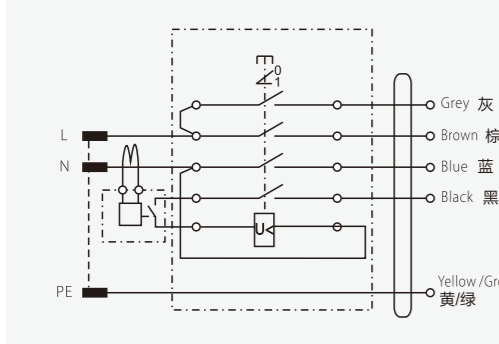
F11



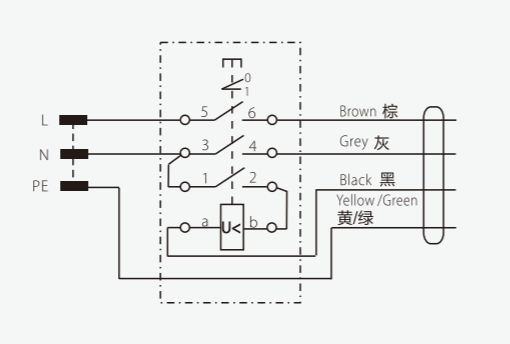
F12



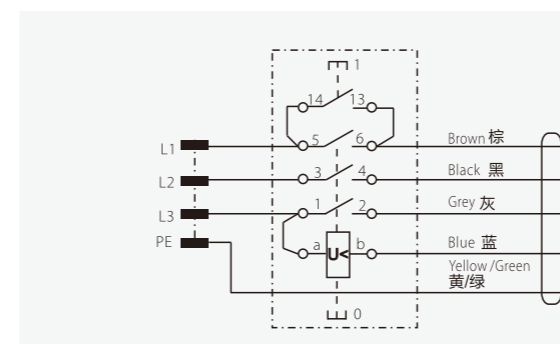
F5



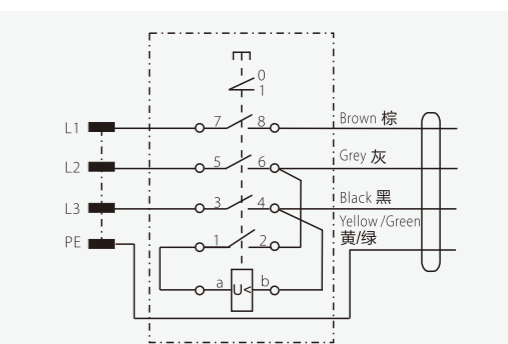
F6



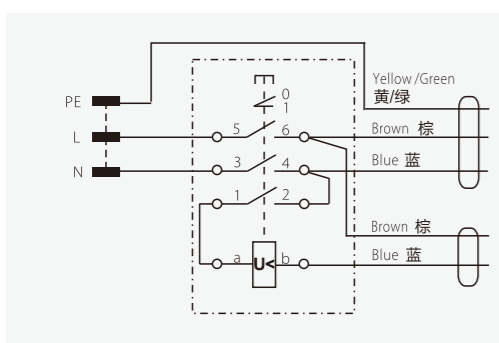
F13



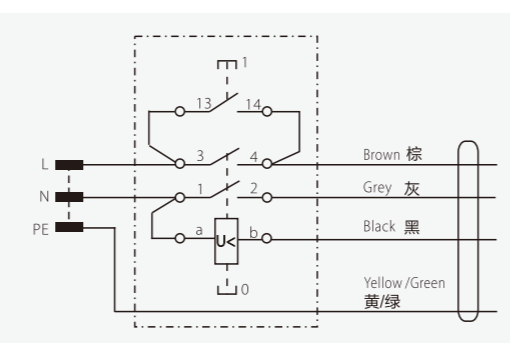
F14



F7



F8



KOA7 Electromagnetic Switch

KOA7 电磁开关

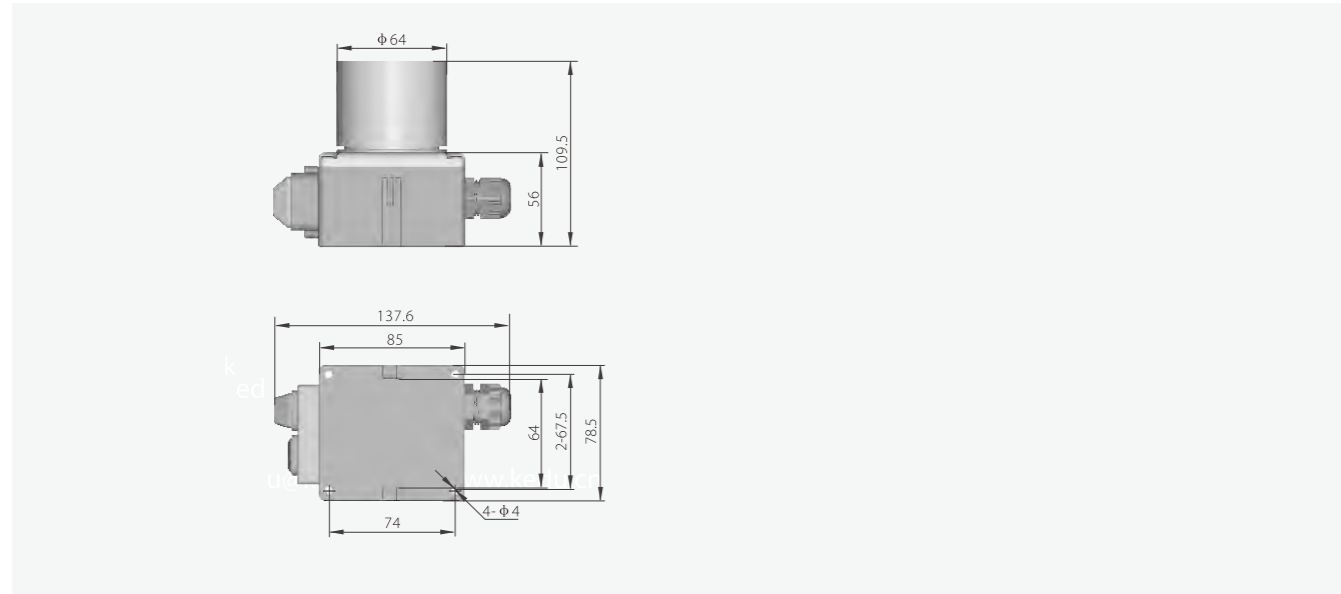


KOA8 Electromagnetic Switch

KOA8 电磁开关

Reference Dimension 参考尺寸

KOA7-39



KOA8-11



KOA8



KOA8C-2

Description 描述

Switch-plug combination, 1ph or 3ph alternating current with motor and main leads. The main part is a electromagnetic switch with many terminals and various voltage selections which directly control the motor. The relay will open automatically if the power fails or low voltage.

盒装多对触头和各种电压供选择的电磁开关，能直接控制马达，并具有停电和欠电压保护，配上能锁的急停盖，更加安全可靠。

Specifications 参数

Standard 标准	TUV, CE(EN61058)		TUV, CE(EN60947)	
	Rated Voltage 额定电压	250V~	400V~	230V~
Rated Current 额定电流	12(12)A	12(10)A	16A(AC-3) 8A(AC-15)	12A(AC-3) 8A(AC-15)
Degree of Protection 防护等级	IP54			
Number of operating Cycles 操作循环次数	5E4			

KOA8 Electromagnetic Switch

KOA8 电磁开关



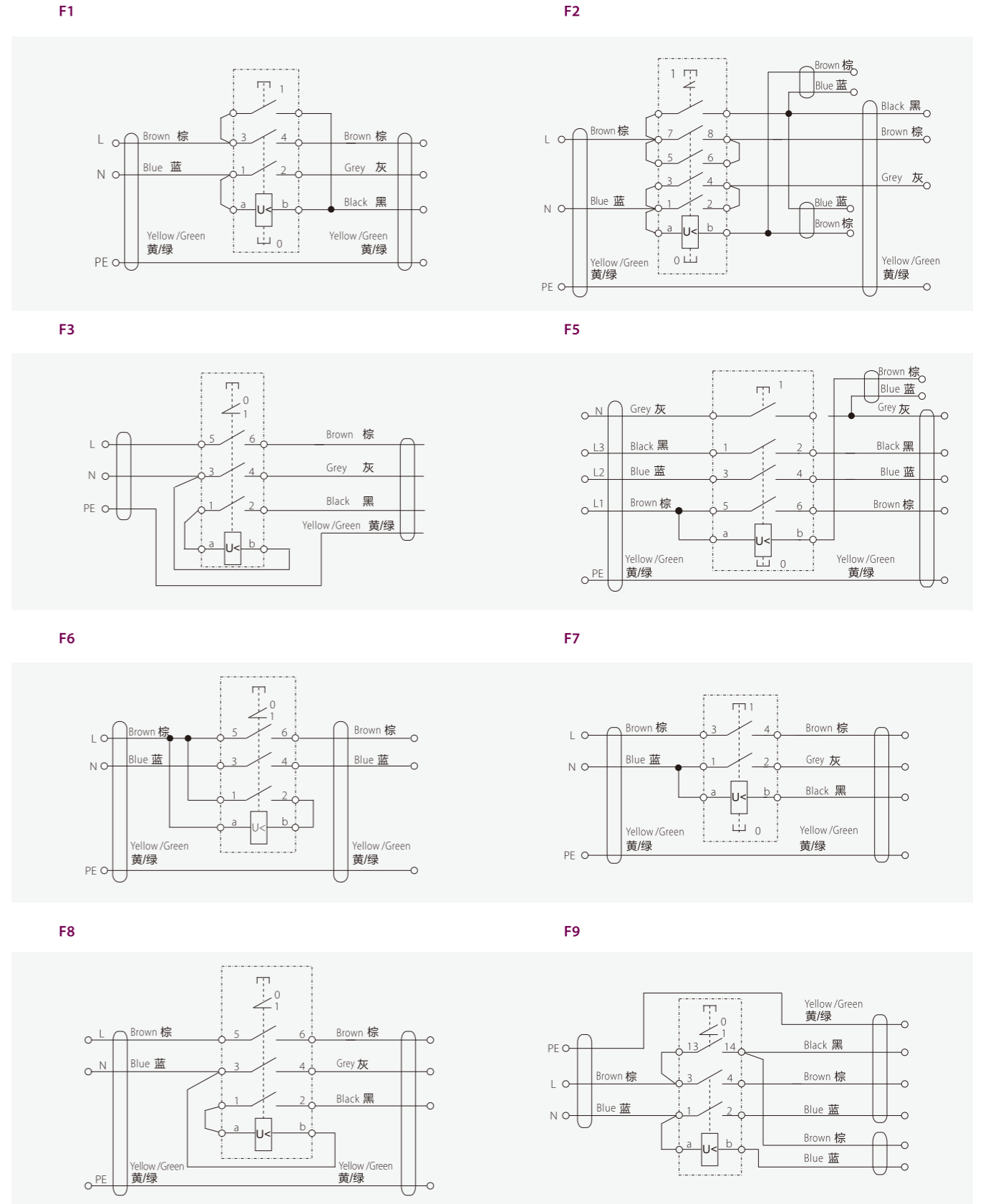
KOA8 Electromagnetic Switch

KOA8 电磁开关

Order options 订货选项

Housing 底座	Marking on Button 按钮标识	Fixing method 固定方式	Accessories 附件	Plug 插头
H1 	M1 	FM1 Screw Type 螺钉式 	A1 PL11 	E1  UK Plug 2P+E 英式插头 2P+E
	M2 	FM2 Rivet Type 铆钉式 	A2 PL11-2 	E2  German Plug 2P 德式插头 2P
	M3 	FM3 Blot Type 螺栓式 	A3 PL7-2 	E3  German Plug 2P+E 德式插头 2P+E
	M4 			E4  Australian Plug 2P+E 澳式插头 2P+E
	M5 			E5  Single phase plug 单相插头 P331 2P+E
	M6 	FM3 Blot Type 螺栓式 	A4 Waterproof Cover 防水罩 	E6  Three phase plug 三相插头 P553-02 3P+E
	M7 			E7  Three phase plug 三相插头 P551-04 3P+N+E
	M8 			E8  US Plug 美式插头HR-22 2P+E
H2 	M8 	FM3 Blot Type 螺栓式 	A5 Waterproof Cover 防水罩 	E9  German 德式
				E10  German PRCD 2P+E 德式漏电插头2P+E
				E11  Swiss 瑞式
				E12  Israel 以色列式

Function Options 功能选项



KOA8 Electromagnetic Switch

KOA8 电磁开关

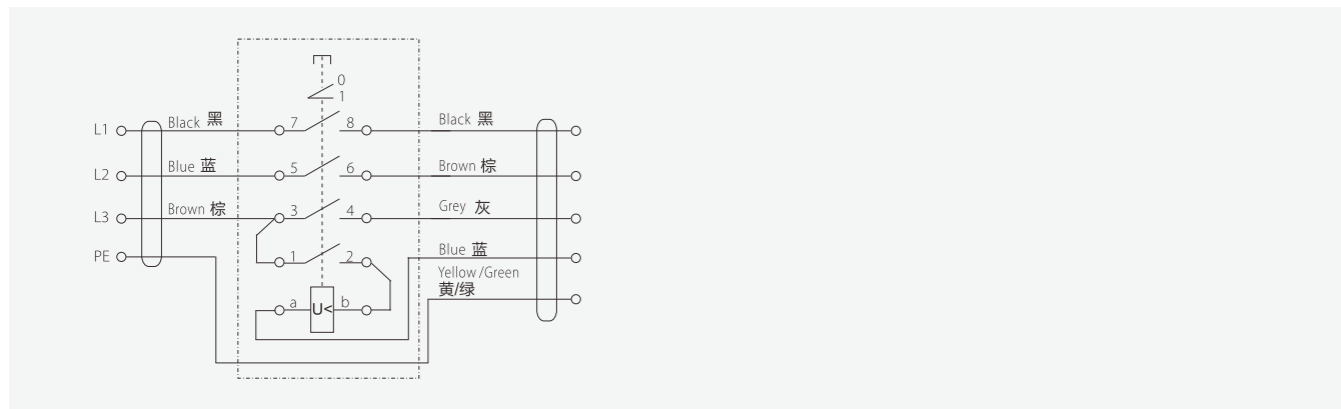


KOA15 Electromagnetic Switch

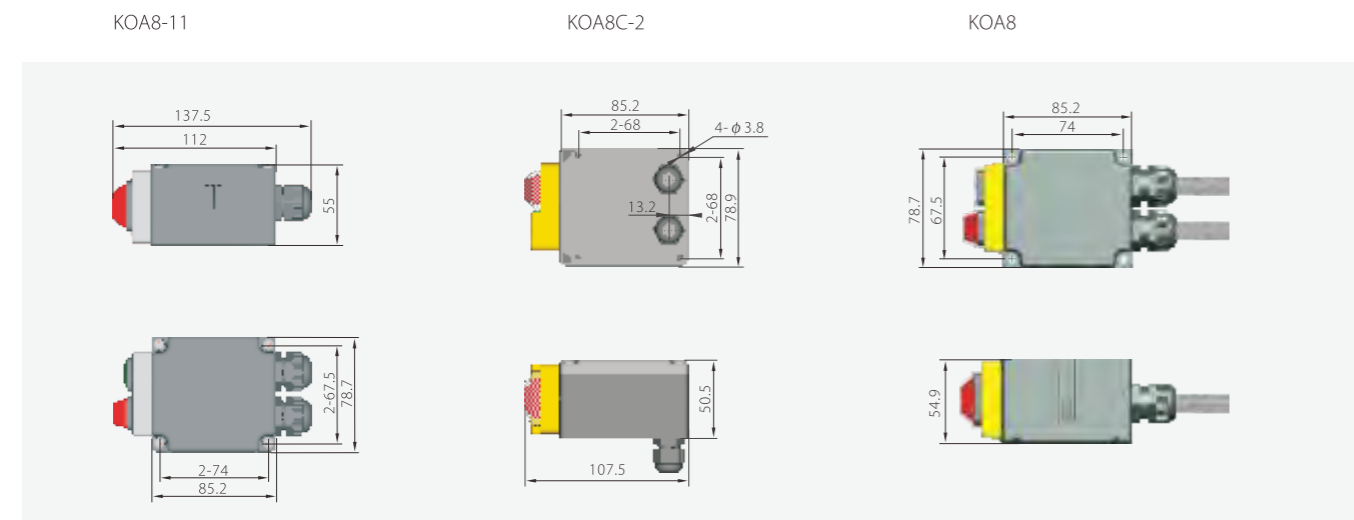
KOA15 电磁开关

Function Options 功能选项

F10



Reference Dimension 参考尺寸

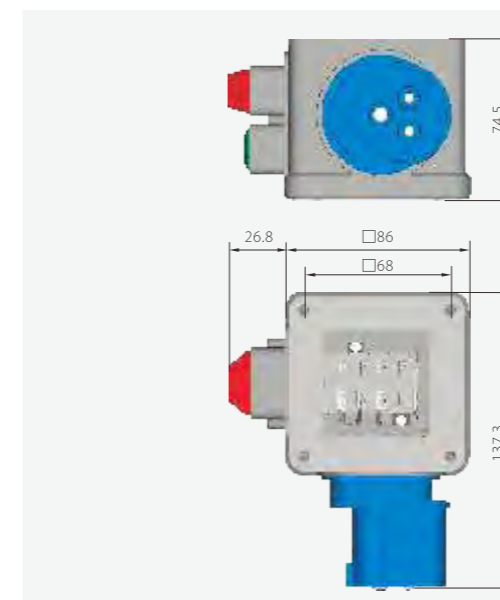


Specifications 参数

Standard 标准	CE(EN60947)	
Rated Voltage 额定电压	120/230V~	400V~
Rated Current 额定电流	16A(AC-3) 8A(AC-15)	12A(AC-3) 8A(AC-15)
Degree of Protection 防护等级	IP54	
Plug Section 插头	2P+E or 3P+N+E 16A	

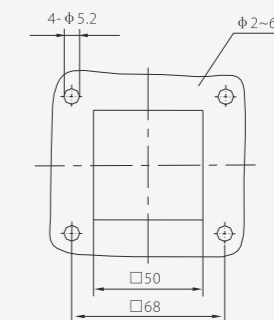
Reference Dimension 参考尺寸

KOA15



Mounting Size 安装孔尺寸

KOA15



KOA15 Electromagnetic Switch












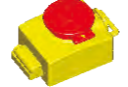












KOA15 电磁开关



KOA1BD Electromagnetic Switch

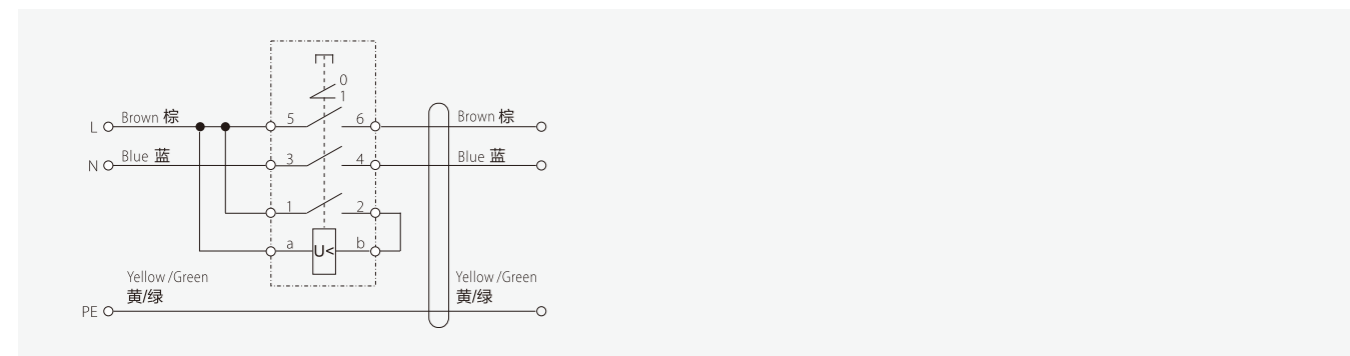
KOA1BD 电磁开关

Order options 订货选项

Plug 插头	Voltage/Frequency 电压/频率	Marking on Button 按钮标识	Fixing method 固定方式	Accessories 附件	
E1 Single Phase Blue Plug 单相半插头 P224-8(2P+E) 	V1 120V~/50Hz V2 120V~/60Hz V3 230V~/50Hz V4 230V~/60Hz V5 400V~/50Hz V6 400V~/60Hz	M1  M2  M3  M4  M5  M6  M7  M8 	FM1 Screw Type 螺钉式 	A1 Waterproof Cover 防水罩  A2 Emergency Stop Button and Waterproof Cover 急停按钮和防水罩  PL11  PL11-2  PL7-2 	
E2 Single Phase Yellow Plug 单相黄插头 P224-9(2P+E) 					
E3 German Plug 德式插头 P224-7(2P) 					E4 German Plug 德式插头 P224E-7(2P+E) 
E5 Three Phase Red Plug 三相红插头 P225(3P+E+N) 					E6 Three Phase Red Plug with phase change 三相带换向插头 P226E(3P+E+N) 
E7 Single Phase Black Plug 单相黑插头 P224(2P+E) 					E8 Single Phase Plug 单相插头 P224-11(2P) 
E9 US Plug 美式插头 P324(2P+E) 					E10 Three Phase Red Plug 三相红插头 P241(3P+E) 

Function 功能

KOA15 KOA15-02



KOA1MD



KOA1YD



KOA1LD



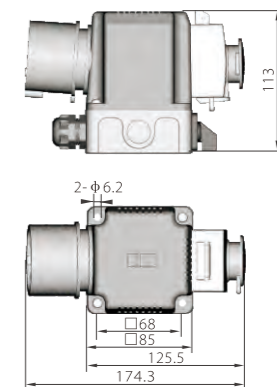
KOA1TD

Description 描述

This switch-plug combination KOA consists of a relay and cam switch. It is used to control the motor direction. This switch can open contacts if the voltage is low or the power fails down. Safety is improved with the Emergency Stop Button and PVC housing.

组合欧式电磁开关，内装电磁开关和转换开关，能控制电动机的正反转和代替正反开关，并具有停电和欠电压保护功能。安上能锁的急停盖和防水罩，更加安全可靠。

Reference Dimension 参考尺寸



Specifications 参数

Standard 标准	TUV, CE(EN60947)	TUV, CE(EN61058)
Rated Voltage 额定电压	400V~	400V~
Rated Current 额定电流	12A(AC-3) 8A(AC-15)	12(10)A
Degree of Protection 防护等级	IP54	IP44
Number of operating Cycles 操作循环次数	5E4	

KOA1BD Electromagnetic Switch

KOA1BD 电磁开关



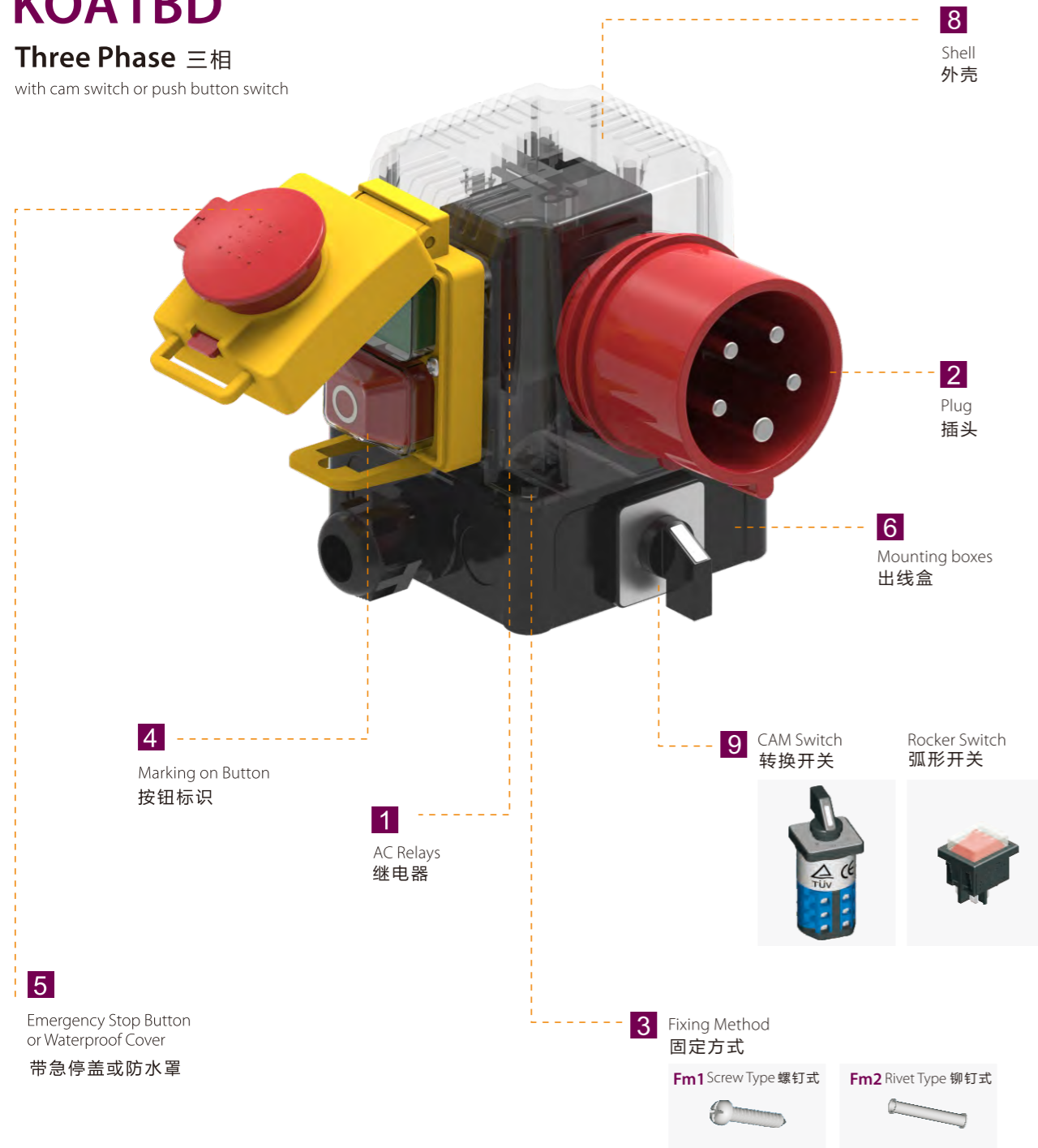
KOA1BD Electromagnetic Switch

KOA1BD 电磁开关

KOA1BD

Three Phase 三相

with cam switch or push button switch



7 Function Options 功能选项

NB: The KOA series has hundreds of functions, we do not list them all. Please contact us for more details.
The relay used in the following diagrams is: JD3-2 or KJD31, if use JD12 the wire connection will be different.

特别提示: KOA系列功能有上百种, 我们没有在此一一列出, 且以下功能图中继电器是 JD3-2或KJD31, 如用JD12, 接线上稍微有变化, 具体请向公司咨询。

Order options 订货选项

Plug Position 插头位置	1 Relay 继电器	2 Plug Options 插头	4 Marking on Button 按钮标识	5 Emergency Stop Button or Waterproof Cover 急停盖或防水罩
KOA1MD	JD3-2 Please check page 91-92 详见第91-92页	E1 Plug without reversing phase 无换相插头 P225 3P+E+N	M1	A1 PL11
KOA1YD	JD12 Please check page 93-94 详见第93-94页	E2 Plug with reversing phase 带换相插头 P226 3P+E+N	M2	A2 PL11-2
KOA1TD	KJD31 Please check page 98 详见第98页	E3 Red Three Phase 红色三相 P241 3P+E	M3	A3 PL7-2
KOA1LD			M4	A4 Waterproof Cover 防水罩
			M5	A5 PL2
			M6	A6 PL6
			M7	A7 PL7
			M8	A8 Waterproof Cover 防水罩

KOA1BD Electromagnetic Switch

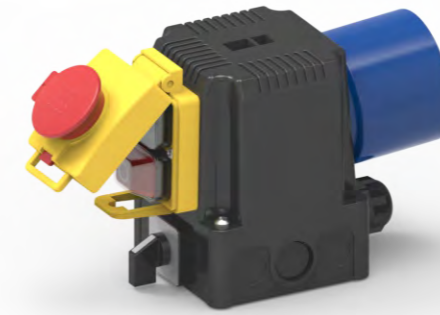
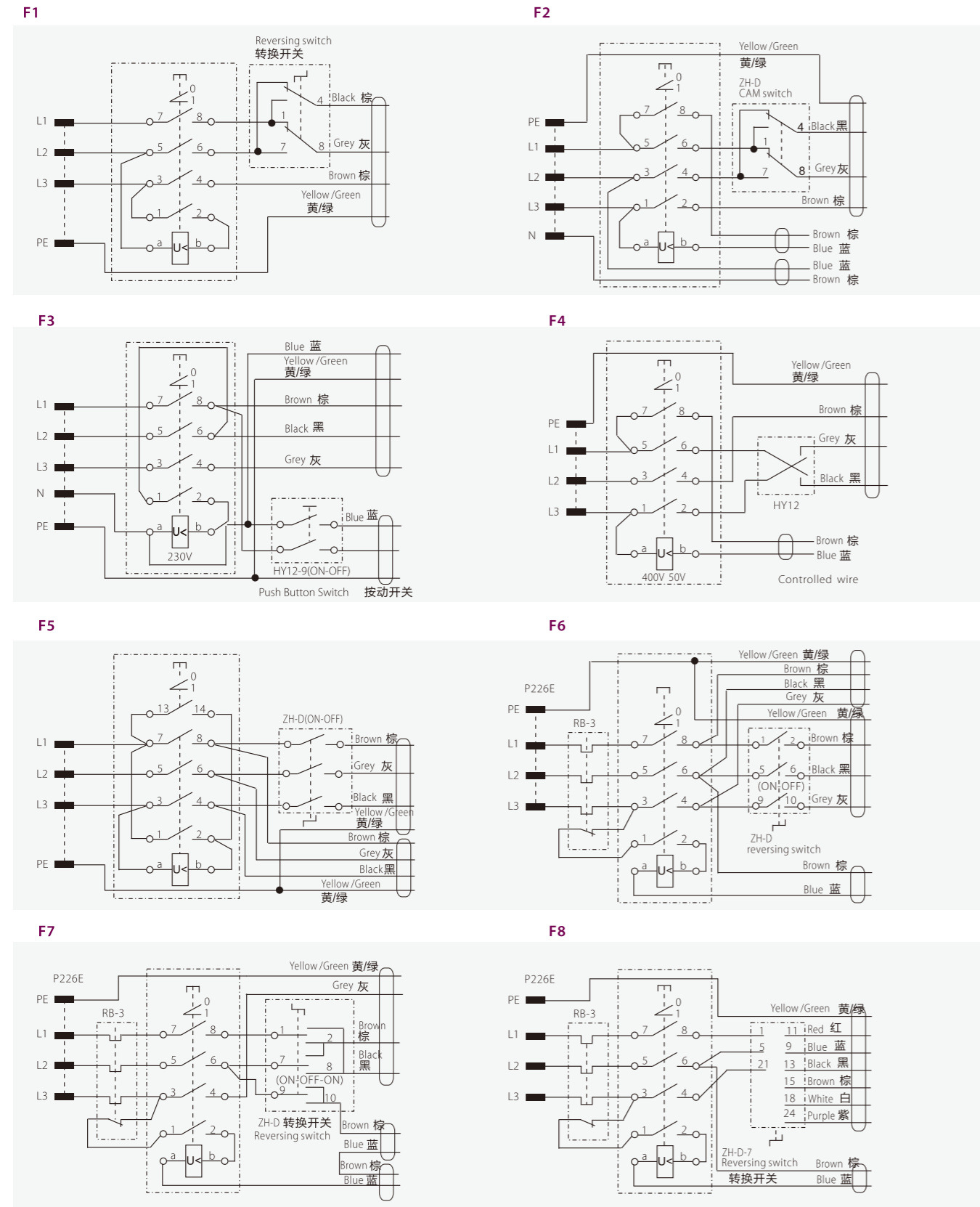
KOA1BD 电磁开关



KOA2BD Electromagnetic Switch

KOA2BD 电磁开关

7 Function Options: 功能选项



KOA2MD



KOA2YD



KOA2LD



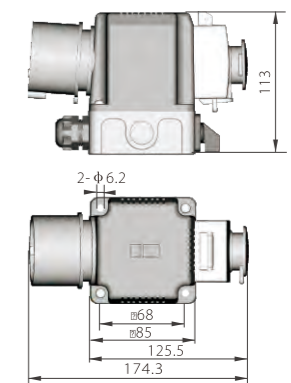
KOA2TD

Description 描述

The switch-plug combination KOA switches consist of a relay and CAM switch. They are used to control the direction of motors. The switch can open contacts if the voltage is low or the power fails. Safety is improved with the Emergency Stop button and PVC housing.

组合欧式电磁开关，内装继电器和转换开关，能控制电动机的正反转和代替正反开关，并具有停电和欠电压保护功能。按下能锁的急停盖和防水罩，更加安全可靠。

Reference Dimension 参考尺寸



Specifications 参数

Standard 标准	TUV, CE(EN60947)	TUV (EN61058)
Rated Voltage 额定电压	230V~	250V~
Rated Current 额定电流	16A (AC-3) 8A (AC-15)	12(8)A
Degree of Protection 防护等级	IP54	IP44
Number of operating Cycles 操作循环次数	5E4	

KOA2BD Electromagnetic Switch

KOA2BD 电磁开关



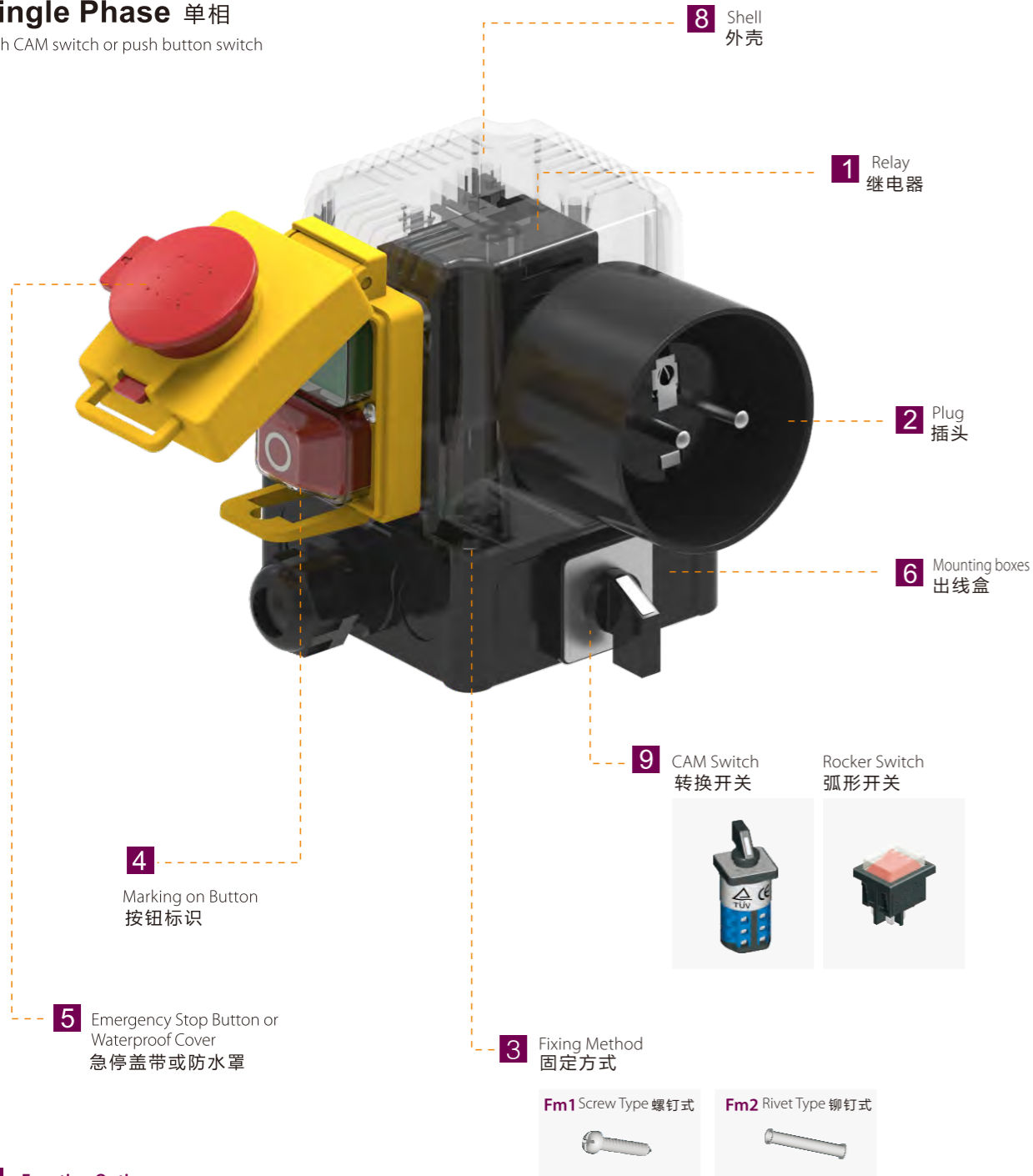
KOA2BD Electromagnetic Switch

KOA2BD 电磁开关

KOA2BD

Single Phase 单相

With CAM switch or push button switch



7 Function Options 功能选项

NB: The KOA series has hundreds of functions, we do not list them all. Please contact us for more details. The relay used in the following diagrams is: JD3-2 or KJD31, if use JD12 the wire connection will be different.

特别提示: KOA系列功能有上百种, 我们没有在此一一列出, 且以下功能图中继电器是 JD3-2或KJD31, 如用JD12, 接线上稍微有变化, 具体请向公司咨询。

Order options 订货选项

Plug Position 插头位置	1 Relay 继电器	2 Plug Options 插头	4 Marking on Button 按钮标识	5 Emergency Stop Button or Waterproof Cover 急停盖带或防水罩
KOA2MD 	JD3-2 Please check page 91-92 详见第91-92页 	E1 Single Phase Black Plug P224(2P+E) 单相黑插头 E2 Single Phase Blue Plug P224(2P+E) 单相蓝插头 	M1 M2 M3 M4 M5 M6 M7 M8	A1 PL11 A2 PL11-2 A3 PL7-2 A4 Waterproof Cover 防水罩 A5 PL2 A6 PL6 A7 PL7 A8 Waterproof Cover 防水罩
KOA2YD 	JD12 Please check page 93-94 详见第93-94页 	E3 German Plug P224E-7(2P+E) 德式插头 E4 German Plug P224-7(2P) 德式插头 		
KOA2LD 	KJD31 Please check page 98 详见第98页 	E5 Single Phase Blue Plug P224-8(2P+E) 单相蓝插头 E6 Single Phase Yellow Plug P224-9(2P+E) 单相黄插头 		
KOA2TD 		E7 Single Phase Plug P224E-11(2P+E) 单相插头 E8 Single Phase Plug P224-11(2P) 单相插头 E9 US Plug P324(2P+E) 美式插头 E10 Single Phase Blue Plug P224E-15(2P+E) 单相蓝插头 E11 German Plug P224-7(2P) 德式插头 E12 German Plug P224-7(2P) 德式插头 		

KOA2BD Electromagnetic Switch

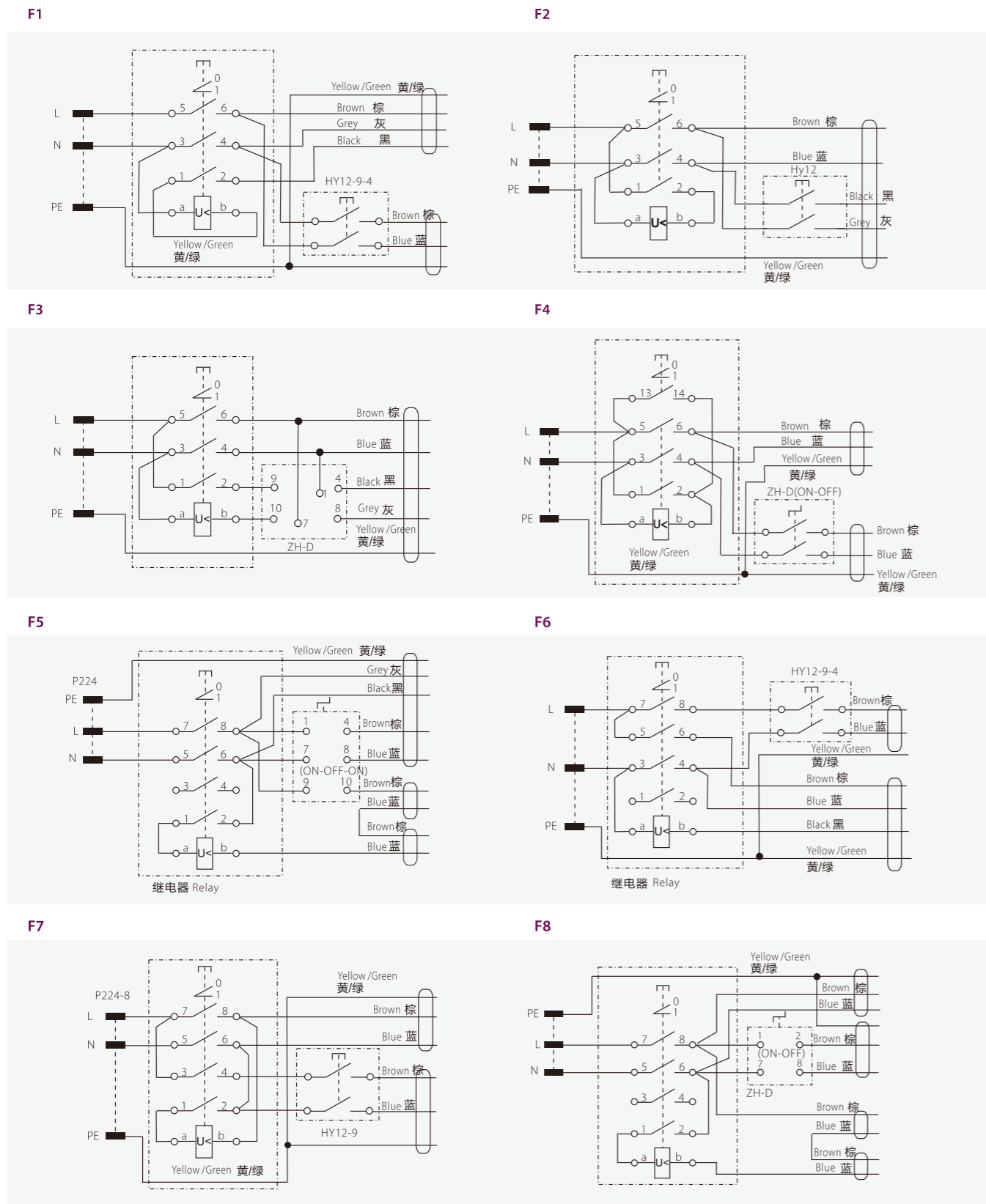
KOA2BD 电磁开关



KOA1 Electromagnetic Switch

KOA1 电磁开关

7 Function Options 功能选项



KOA1ME

KOA1-20

KOA1-13



KOA1T



KOA1-40

Description 描述

The switch-plug combination KOA2 switch consists of electromagnetic switches or relays with various voltage. The switch can open contacts if the power fails or the rated voltage is low. In order to use the switches in many countries, the switch can be supplied with all kinds of plugs. Safety is greatly improved with the Emergency Stop button and PVC housing.

全封闭组合欧式电磁开关，内装多对触头和各种电压供选择的继电器，具有断电和欠电压保护功能，并供不同国家的插头以满足不同用户电源连接要求，安全可靠。如装上能锁的急停盖和PVC防水罩，更加安全。

Specifications 参数

Standard 标准	TUV, CE(EN60947)	TUV, CE(EN61058)
Rated Voltage 额定电压	400V~	400V~
Rated Current 额定电流	12A(AC-3) 8A(AC-15)	12(10)A
Degree of Protection 防护等级	IP54	IP44
Number of operating Cycles 操作循环次数	5E4	

KOA1 Electromagnetic Switch

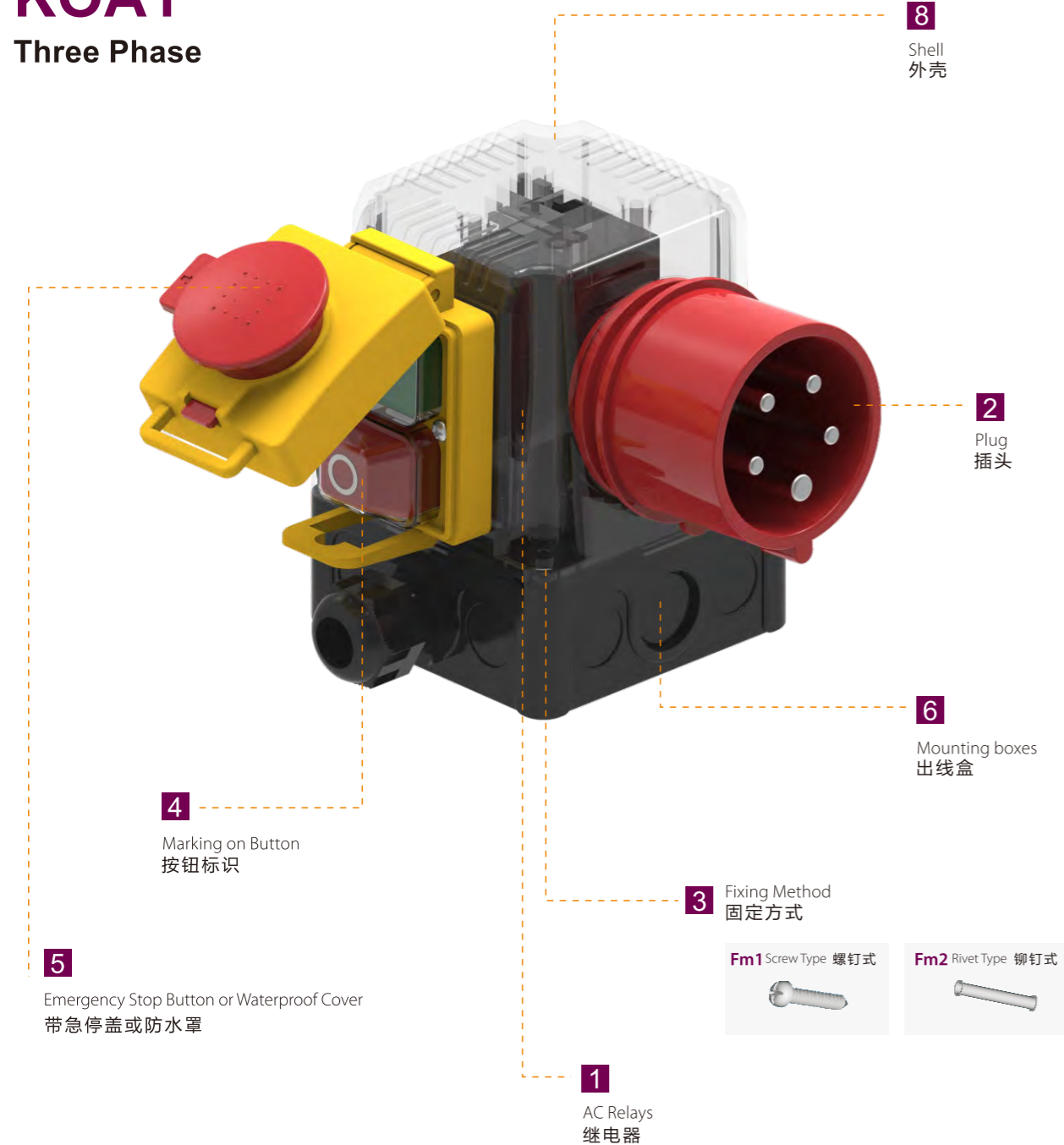
KOA1 电磁开关



KOA1 Electromagnetic Switch

KOA1电磁开关

KOA1 Three Phase



7 Function Options 功能选项

NB: The KOA series has hundreds of functions, we do not list them all. Please contact us for more details.
The relay used in the following diagrams is: JD3-2 or KJD31, if use JD12 the wire connection will be different.

特别提示: KOA系列功能有上百种, 我们没有在此一一列出, 且以下功能图中继电器是 JD3-2或KJD31, 如用JD12,接线上稍微有变化, 具体请向公司咨询。

Order options 订货选项

Plug Position 插头位置	1 Relay 继电器	2 Plug Options 插头	4 Marking on Button 按钮标识	5 Emergency Stop Button or Waterproof Cover 急停盖或防水罩
KOA1M 	JD3-2 Please check page 91-92 详见第91-92页 	E1 Plug without reversing phase 无换相插头 P225 3P+E+N 	M1 M2 M3 M4 M5 M6 M7 M8	A1 PL11 A2 PL11-2 A3 PL7-2 A4 Waterproof Cover 防水罩 A5 PL2 A6 PL6 A7 PL7 A8 Waterproof Cover 防水罩 A9 Emergency stop button 急停按钮
KOA1Y 	JD12 Please check page 93-94 详见第93-94页 	E2 Plug with reversing phase 带换相插头 P226 3P+E+N 		
KOA1L 	KJD31 Please check page 98 详见第98页 	E3 Red Three Phase 红色三相 P241 3P+E 		
KOA1T 				
KOA1ME 				

KOA1 Electromagnetic Switch

KOA1 电磁开关



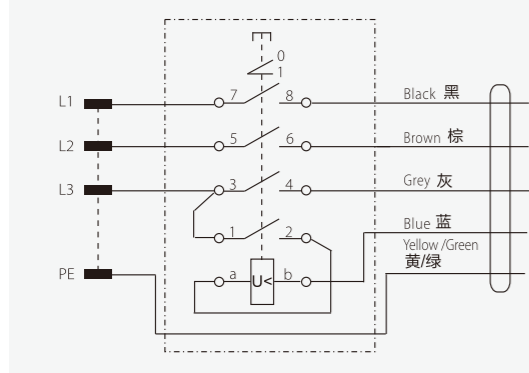
KOA1 Electromagnetic Switch

KOA1 电磁开关

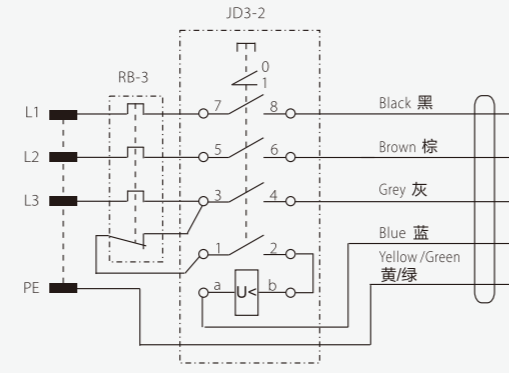
7 Function Options 功能选项

7 Function Options 功能选项

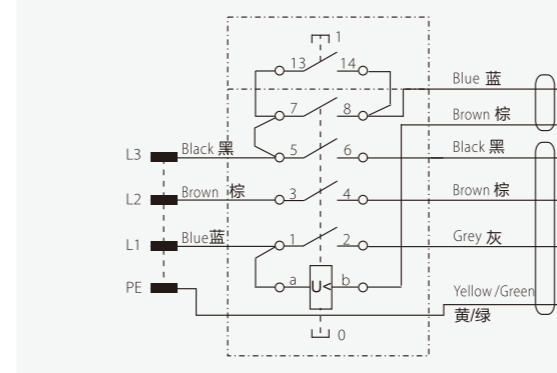
F1



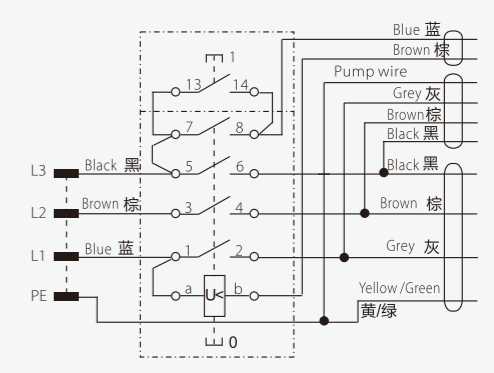
F3



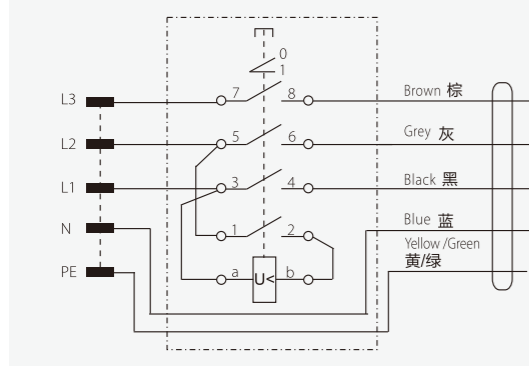
F10



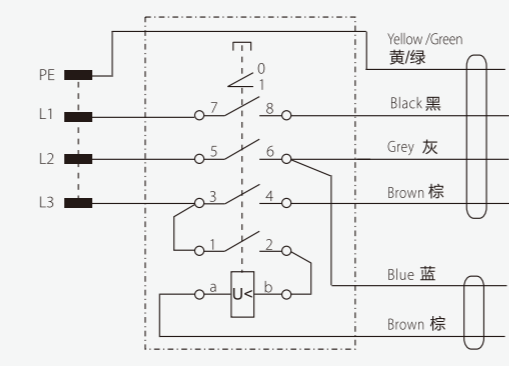
F11



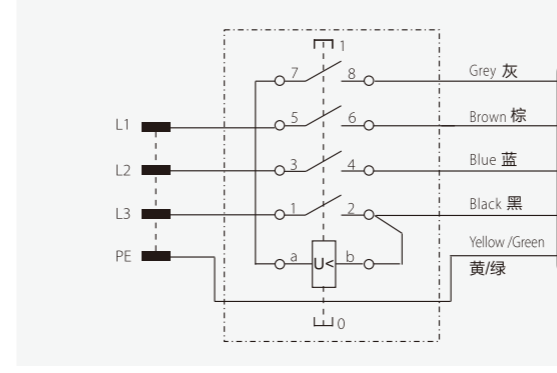
F4



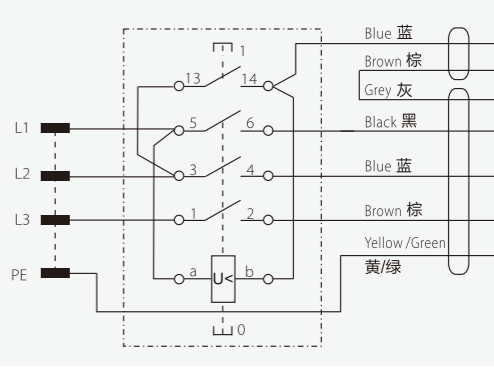
F5



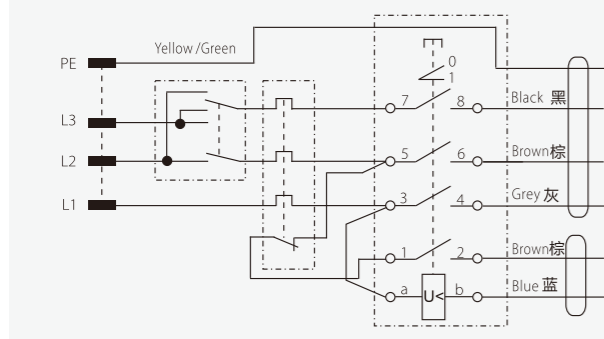
F13



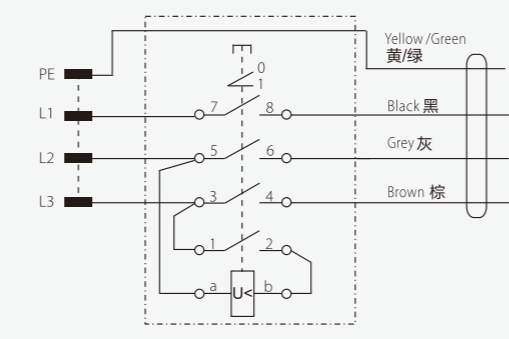
F14



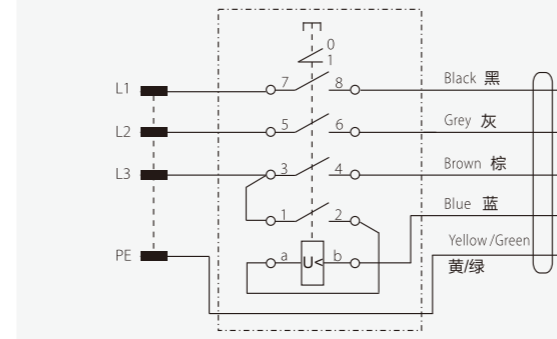
F6



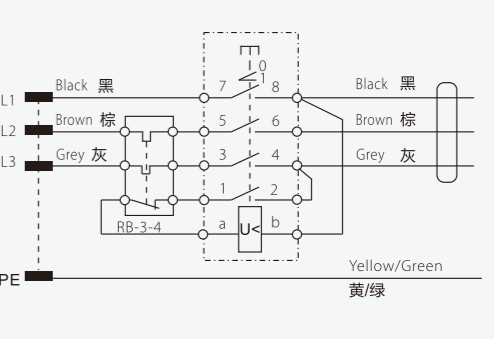
F7



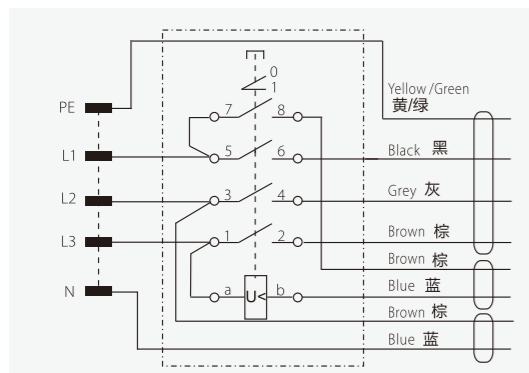
F15



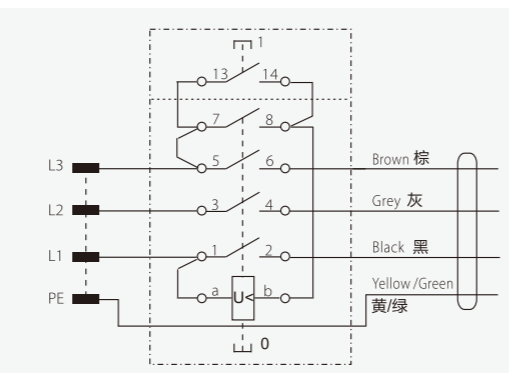
F16



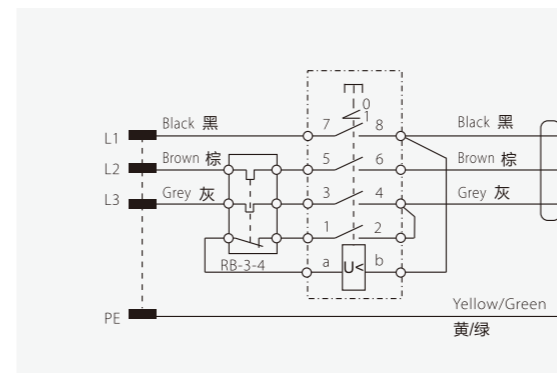
F8



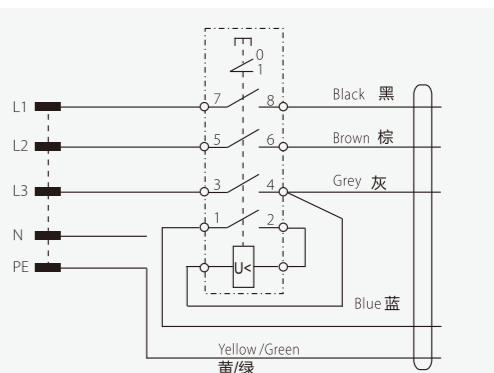
F9



F18



F19



KOA1 Electromagnetic Switch

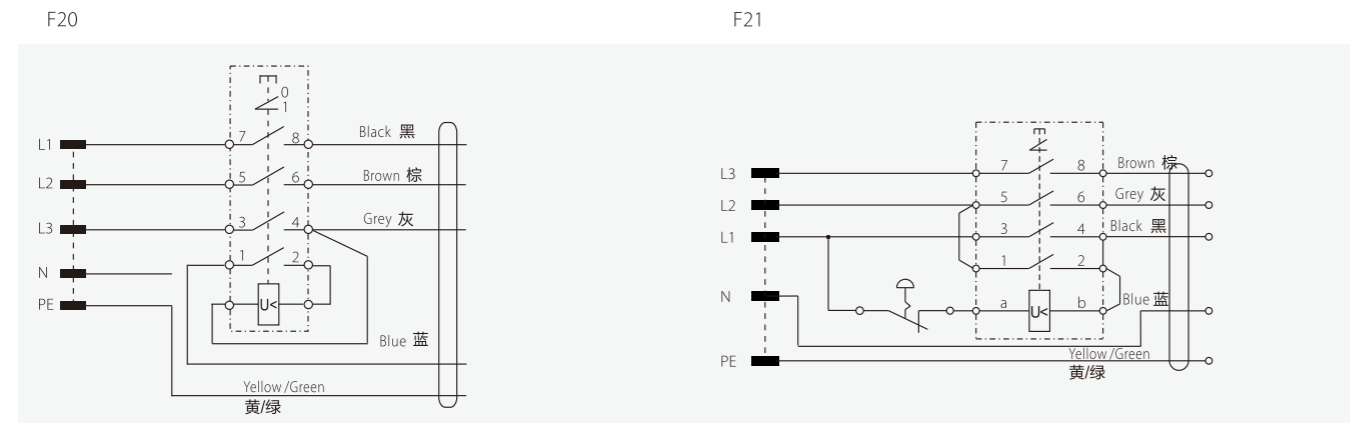
KOA1 电磁开关



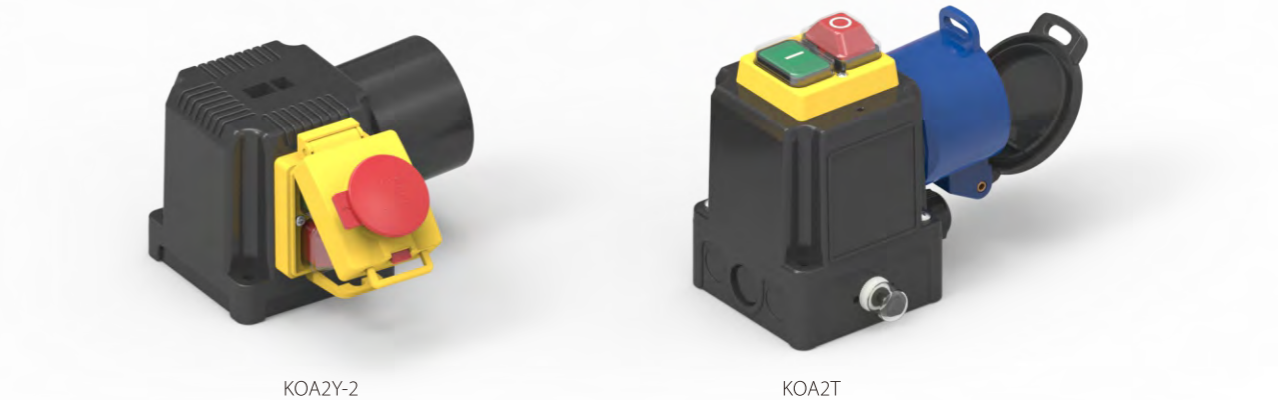
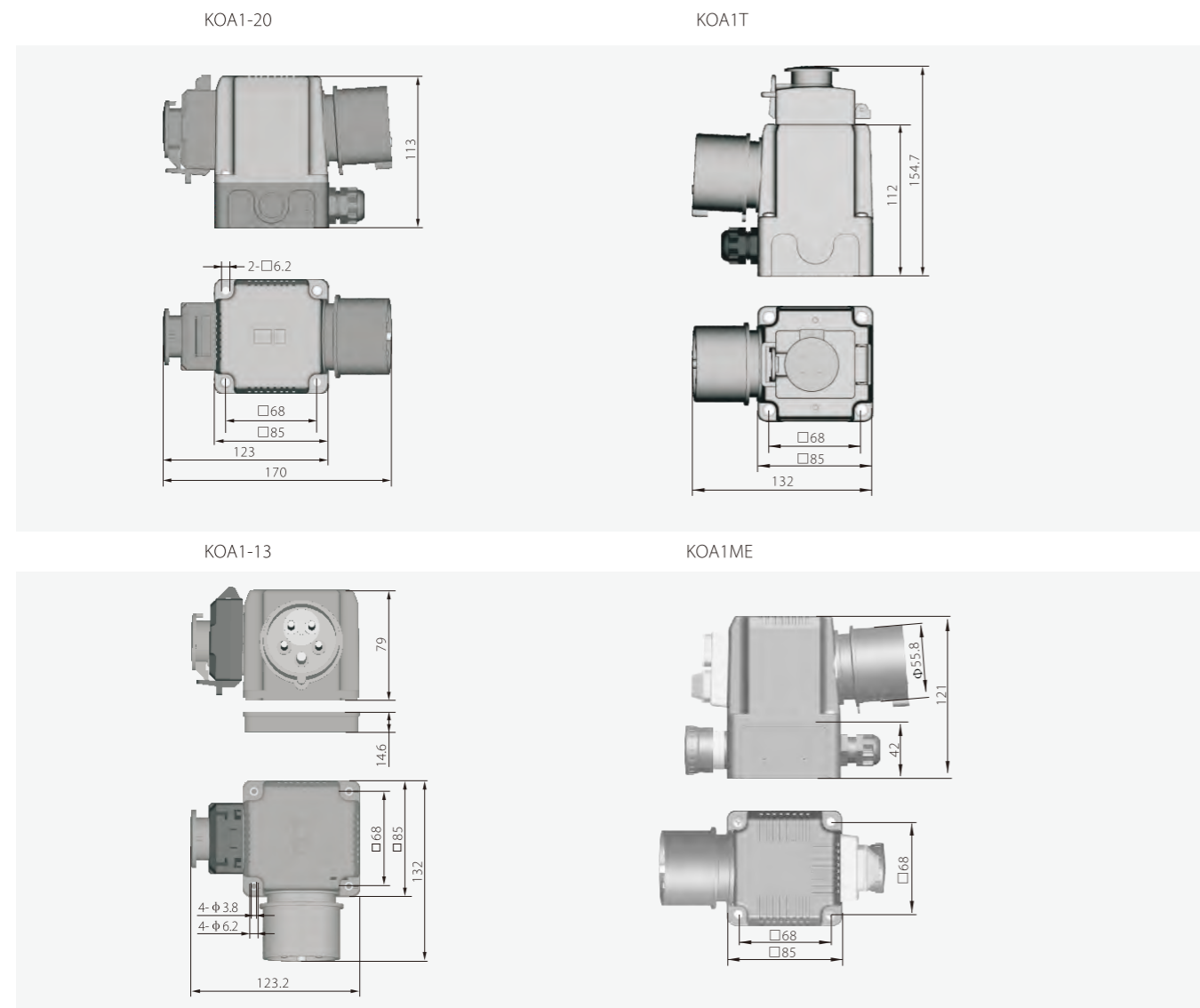
KOA2 Electromagnetic Switch

KOA2 电磁开关

7 Function Options: 功能选项



Reference Dimension 参考尺寸



Description 描述

The switch-plug combination KOA2 switch consists of electromagnetic switches or relays with various voltage. The switch can cut off automatically if the power fails or the rated voltage is low. In order to use the switches in many countries, the switch can be supplied with all kinds of plugs. Safety is greatly improved with the Emergency Stop button and PVC housing.

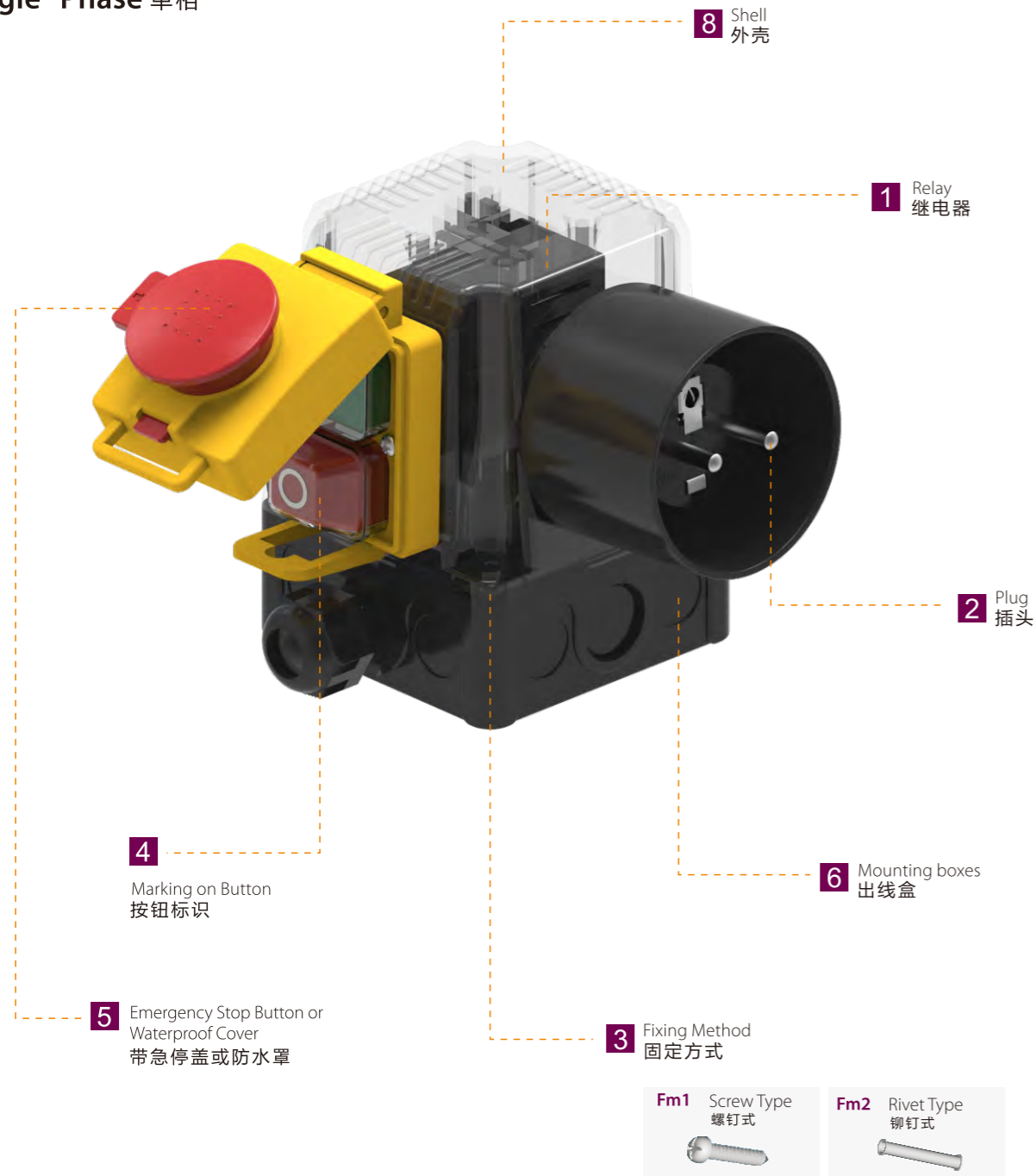
全封闭组合欧式电磁开关，内装多对触头和各种电压供选择的继电器，具有断电和欠电压保护功能，并供不同国家的插头以满足不同用户电源连接要求，安全可靠。如装上能锁的急停盖和PVC防水罩，更加安全。

Specifications 参数

Standard 标准	TUV, CE(EN60947)	TUV (EN61058)
Rated Voltage 额定电压	230V~	250V~
Rated Current 额定电流	16A (AC-3) 8A (AC-15)	12(12)A
Degree of Protection 防护等级	IP54	IP44
Number of operating Cycles 操作循环次数	5E4	

KOA2

Single Phase 单相



7 Function Options 功能选项

NB: The KOA series has hundreds of functions, we do not list them all. Please contact us for more details.
The relay used in the following diagrams is: JD3-2 or KJD31, if use JD12 the wire connection will be different.
特别提示: KOA系列功能有上百种, 我们没有在此一一列出, 且以下功能图中继电器是JK3-2或KJD31, 如用JD12, 接线上稍微有变化, 具体请向公司咨询。

Order options 订货选项

Plug Position 插头位置	1 Relay 继电器	2 Plug Options 插头	4 Marking on Button 按钮标识	5 Emergency Stop Button or Waterproof Cover 急停盖或防水罩
KOA2M	JD3-2 Please check page 91-92 详见第91-92页	E1 Single Phase Black Plug 单相黑插头 P224(2P+E) E2 Single Phase Blue Plug 单相蓝插头 P224(2P+E)	M1 M2	A1 PL11 A2 PL11-2
KOA2Y	JD12 Please check page 93-94 详见第93-94页	E3 German Plug 德式插头 P224E-7(2P+E) E4 German Plug 德式插头 P224-7(2P)	M3 M4	A3 PL7-2
KOA2L	KJD31 Please check page 98 详见第98页	E5 Single Phase Blue Plug 单相蓝插头 P224-8(2P+E) E6 Single Phase Yellow Plug 单相黄插头 P224-9(2P+E)	M5 M6	A4 Waterproof Cover 防水罩
KOA2T		E7 Single Phase Plug 单相插头 P224E-11(2P+E) E8 Single Phase Plug 单相插头 P224-11(2P)	M7 M8	A5 PL2 A6 PL6
KOA2M-2		E9 US Plug 美式插头 P324(2P+E) E10 Single Phase Blue Plug 单相蓝插头 P224E-15(2P+E)		A7 PL7
KOA2L-2		E11 German Plug 德式插头 P224-7(2P) E12 German Plug 德式插头 P224-7(2P)		A8 Waterproof Cover 防水罩
KOA2Y-2				A9 Emergency stop button 急停按钮
KOA2ME				

KOA2 Electromagnetic Switch

KOA2 电磁开关



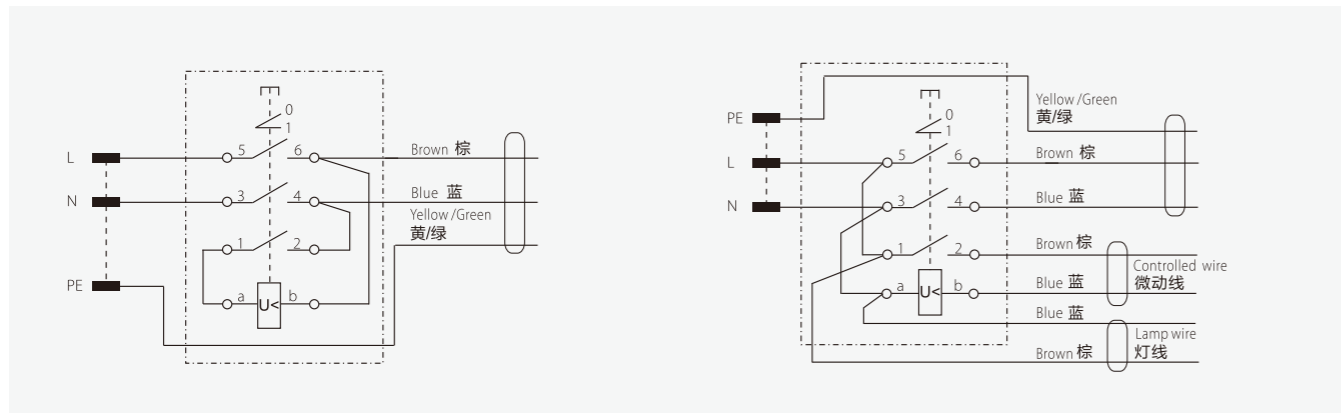
KOA2 Electromagnetic Switch

KOA2 电磁开关

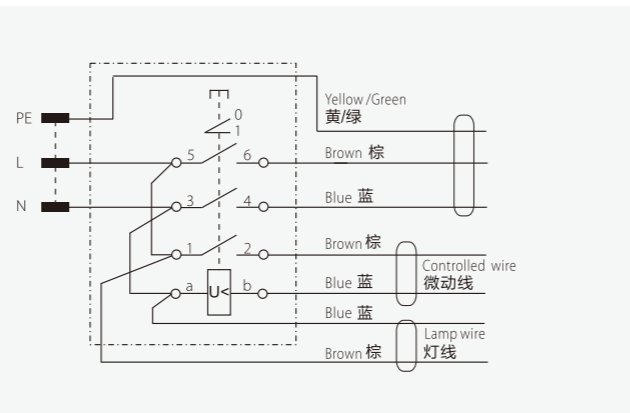
7 Function Options 功能选项

7 Function Options 功能选项

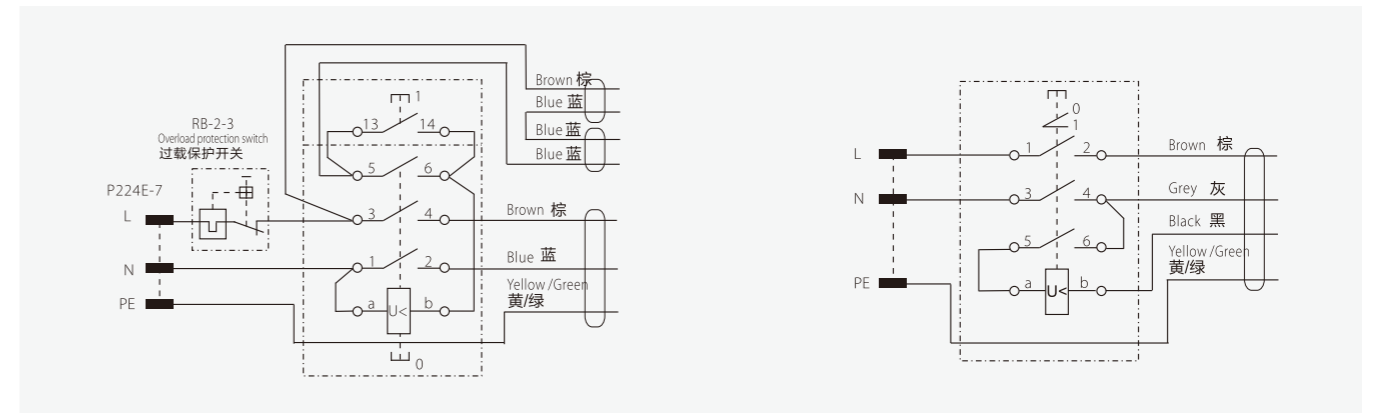
F1



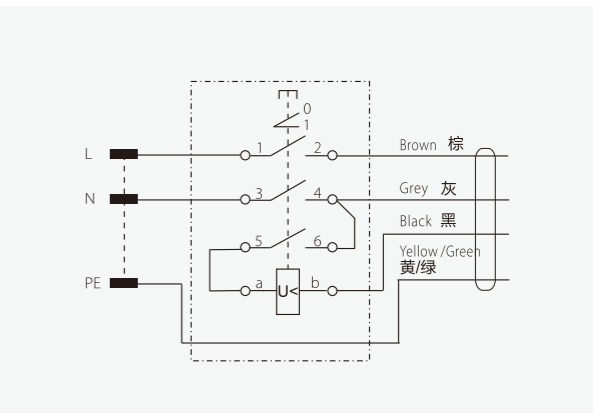
F2



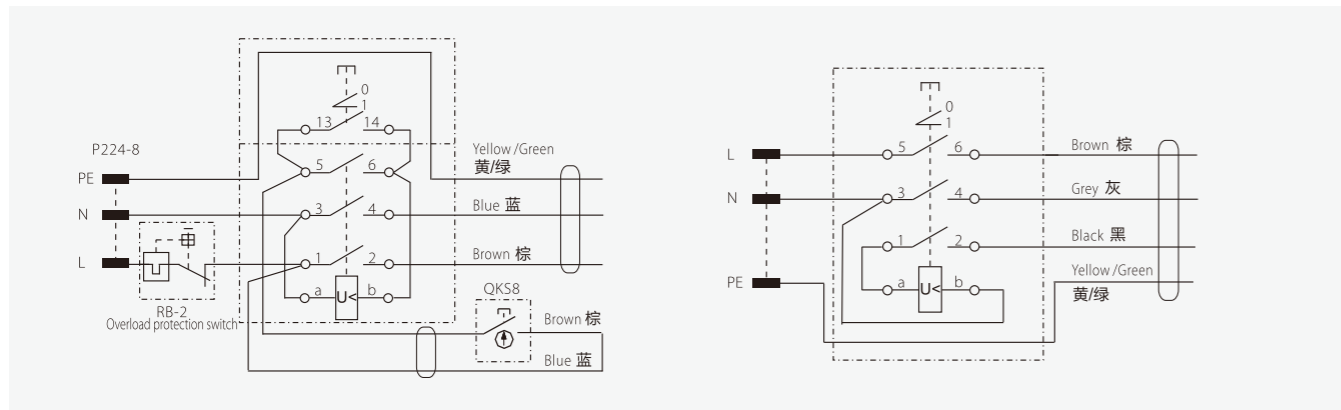
F7



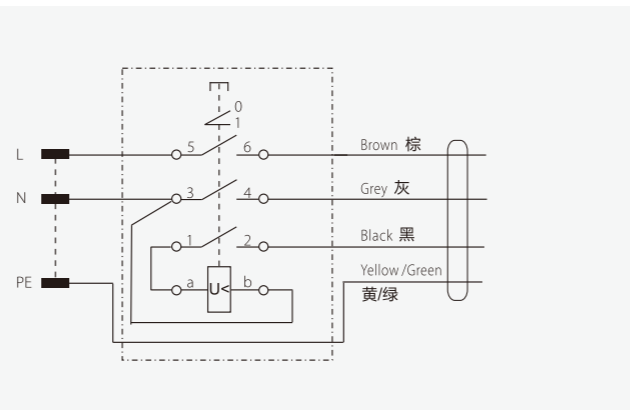
F8



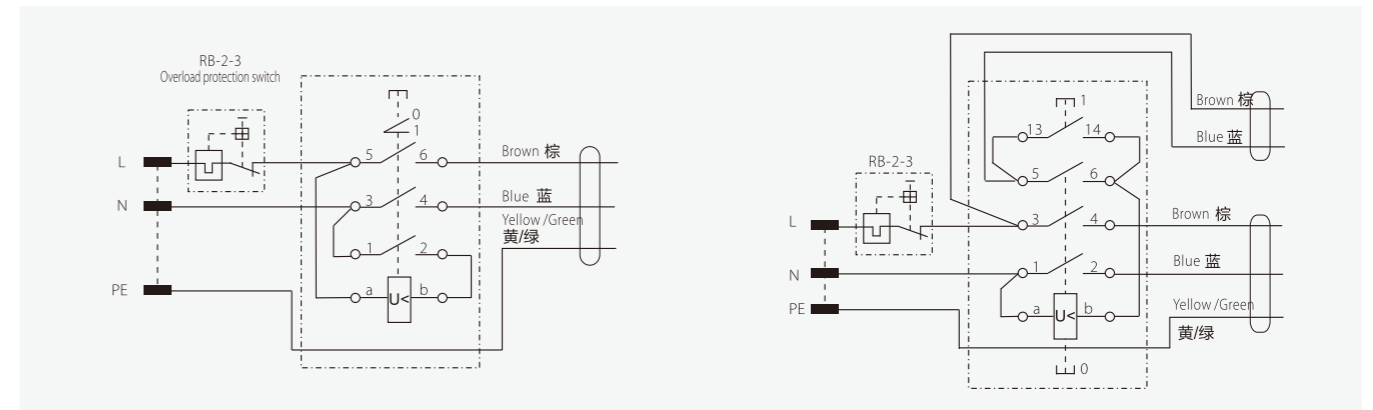
F3



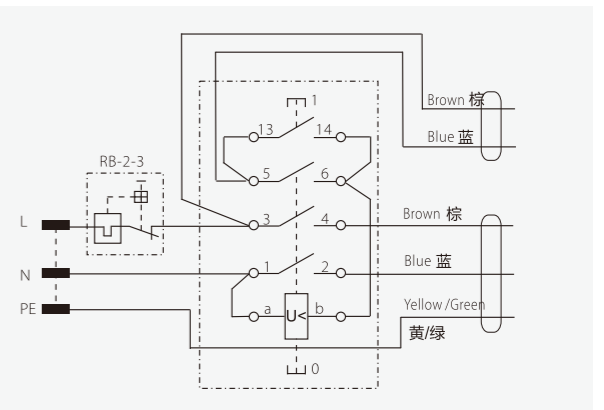
F4



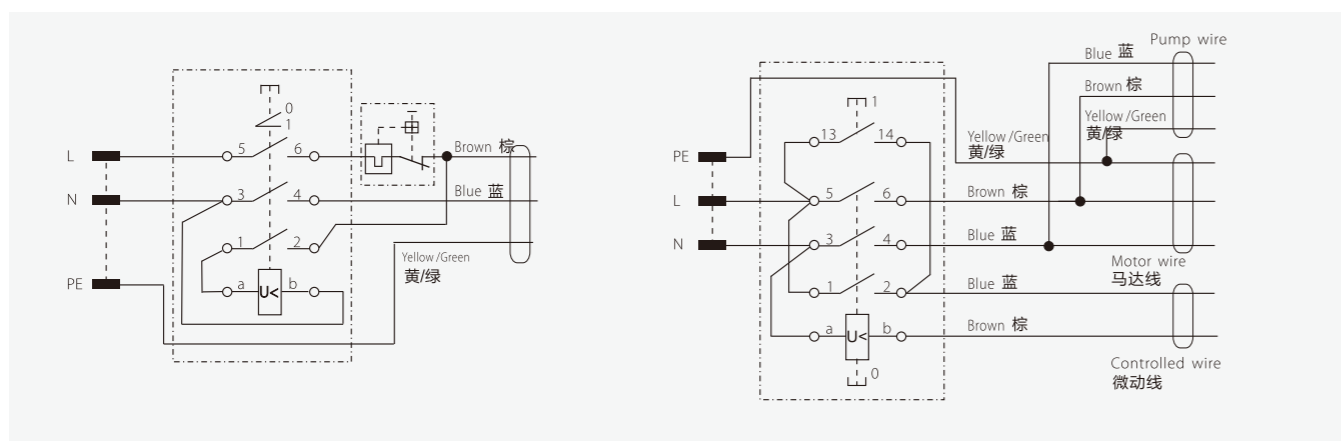
F9



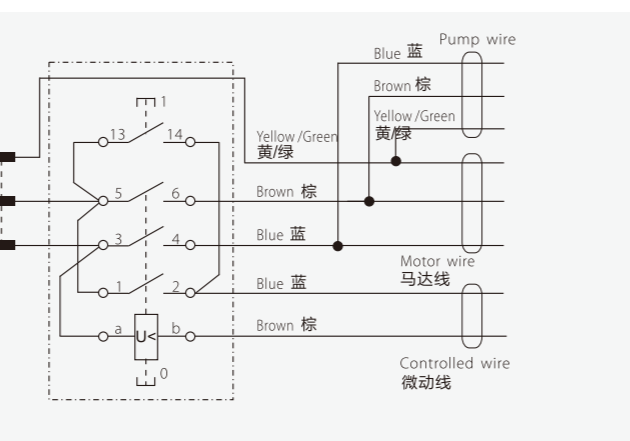
F10



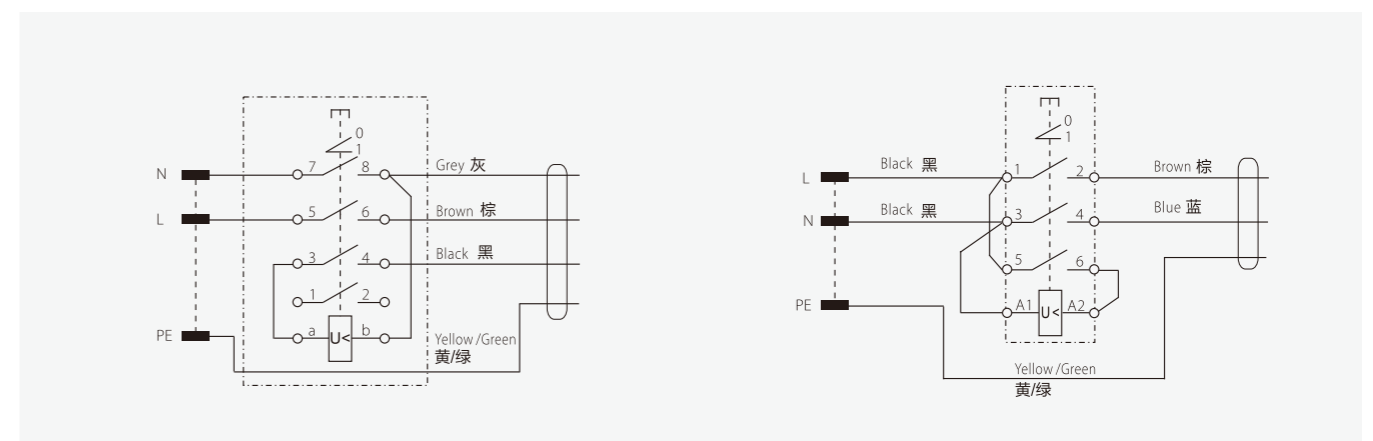
F5



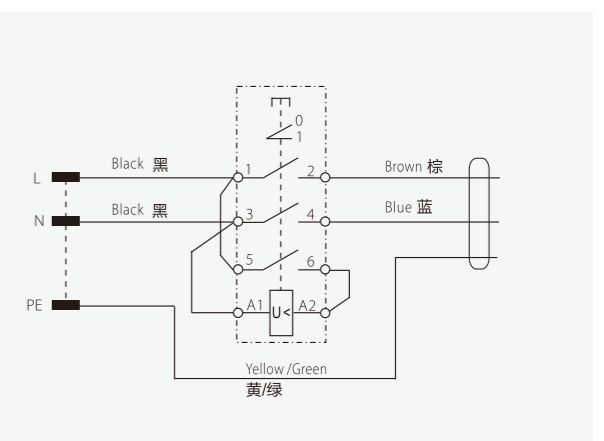
F6



F11



F12



KOA2 Electromagnetic Switch

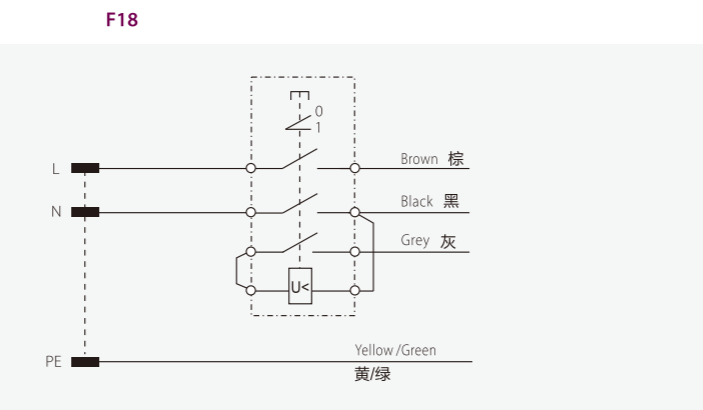
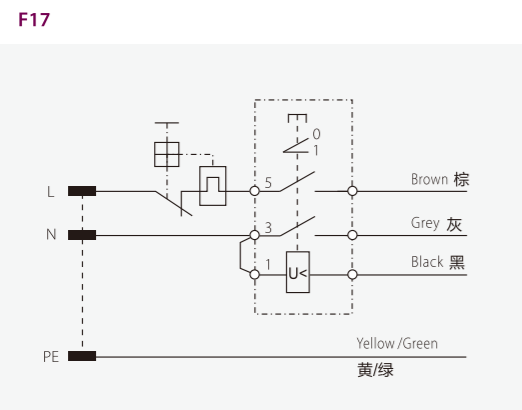
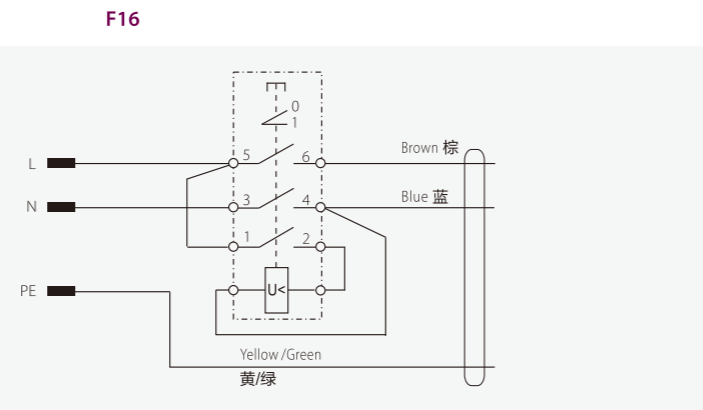
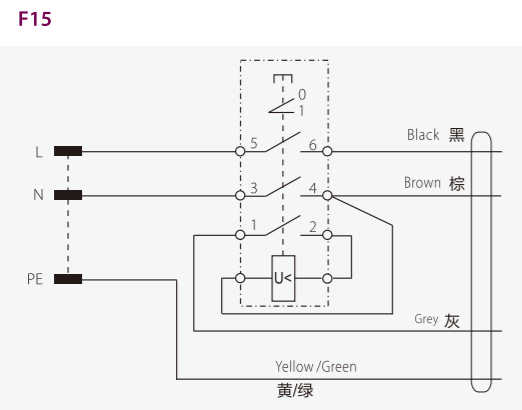
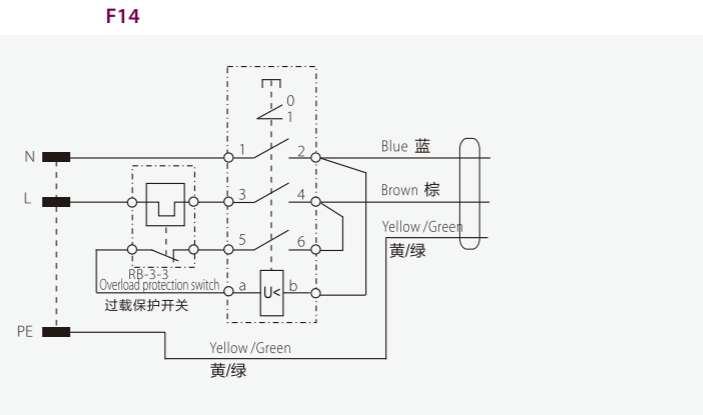
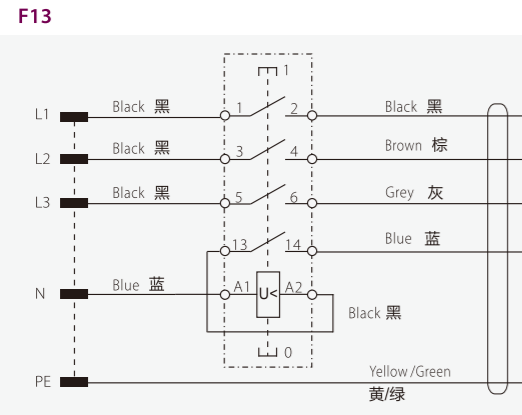
KOA2 电磁开关



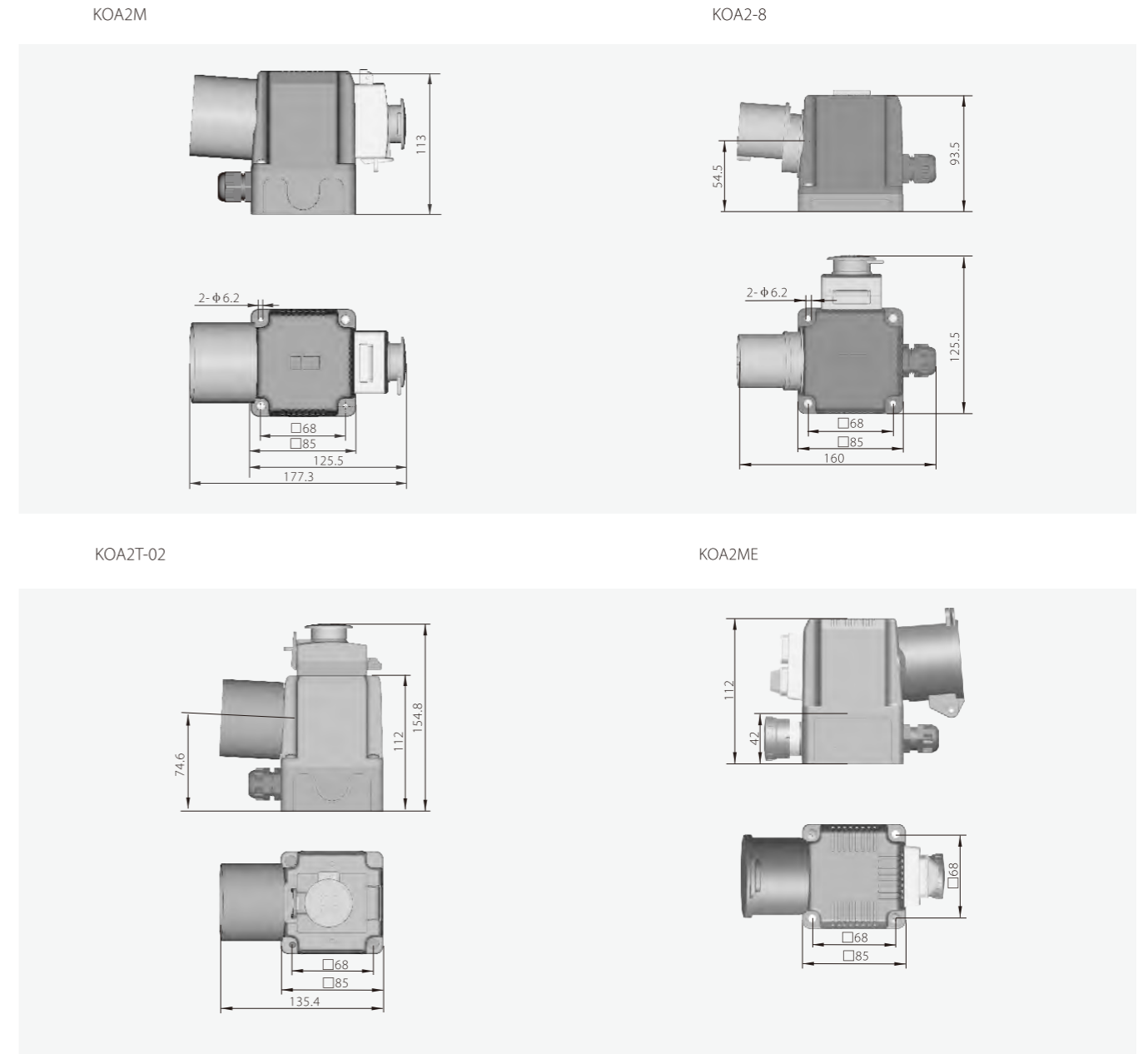
KOA2 Electromagnetic Switch

KOA2 电磁开关

7 Function Options 功能选项



Reference Dimension 参考尺寸



71

72

KOA12 Electromagnetic Switch

KOA12 电磁开关



KOA12 Electromagnetic Switch

KOA12电磁开关



KOA12 026101001



KOA12-5 026104001



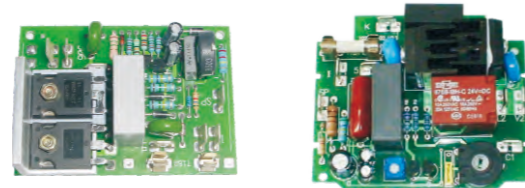
KOA12-3 026105002

Description 描述

Single Phase or three phase Asynchronous Motor Brake:
These switches are designed for quick stop electric braking of wood working machines and electric motors to avoid the harm. Provides braking action to asynchronous motors even at high speed, with adjustable brake time and low cost. The switches also provide auto overload protection. It is much faster and safer than general machinery braking.

单相或三相异步电动机刹车:
















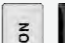



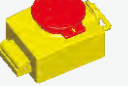


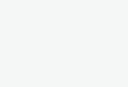













该开关用于木工机械和电动机的急停刹车, 避免惯量造成的伤害, 使异步电动机在高速运转时能快速制动, 其制动时间可调。成本低, 噪音小, 能替代机械刹车装置230V。开关可带自动的过载保护, 比普通的机械刹车更快更安全。



Specifications 参数

Standard 标准	TUV, CE(EN60947)	
Rated Voltage 额定电压	230V~	400V~
Rated Current 额定电流	8A(AC-15) 12A(AC-3)	
Degree of Protection 防护等级	IP54	
Plug Section 插头	2P+E or 3P+N+E 16A	
Brake Time 刹车时间	6~12S(adjustable)	

Order options 订货选项

Plug 插头	Marking on Button 按钮标识	Fixing method 固定方式	Accessories 附件
E1 Single Phase Black Plug 单相黑插头 P224(2P+E) 	M1   M2   M3   M4   M5   M6   M7   M8  	Fm1 Screw Type 螺钉式 	A1 Waterproof Cover 防水罩  A2 Emergency Stop Button and waterproof Cover 急停按钮及防水罩  PL11  PL11-2  PL7-2 
E2 Single Phase Blue Plug 单相蓝插头 P224(2P+E) 		Fm2 Blot Type 螺栓式 	
E3 Three Phase Red Plug 三相红插头 P225(3P+E+N) 		E4 Three Phase Red Plug with phase change 三相带换向插头 P226E(3P+E+N) 	
E5 Three Phase Red Plug 三相红插头 P241(3P+E) 		E6 Single Phase Blue Plug 单相蓝插头 P224-8(2P+E) 	
E7 Single Phase Yellow Plug 单相黄插头 P224-9(2P+E) 		E8 US Plug 美式插头 P324(2P+E) 	
E9 German Plug 德式插头 P224-7(2P) 		E10 German Plug 德式插头 P224E-7(2P+E) 	
E11 Single Phase Plug 单相插头 P224E-11(2P+E) 		E12 Single Phase Plug 单相插头 P224-11(2P) 	
E13 Swiss Plug 瑞士插头 P224-4-2 			

KOA12 Electromagnetic Switch

KOA12 电磁开关

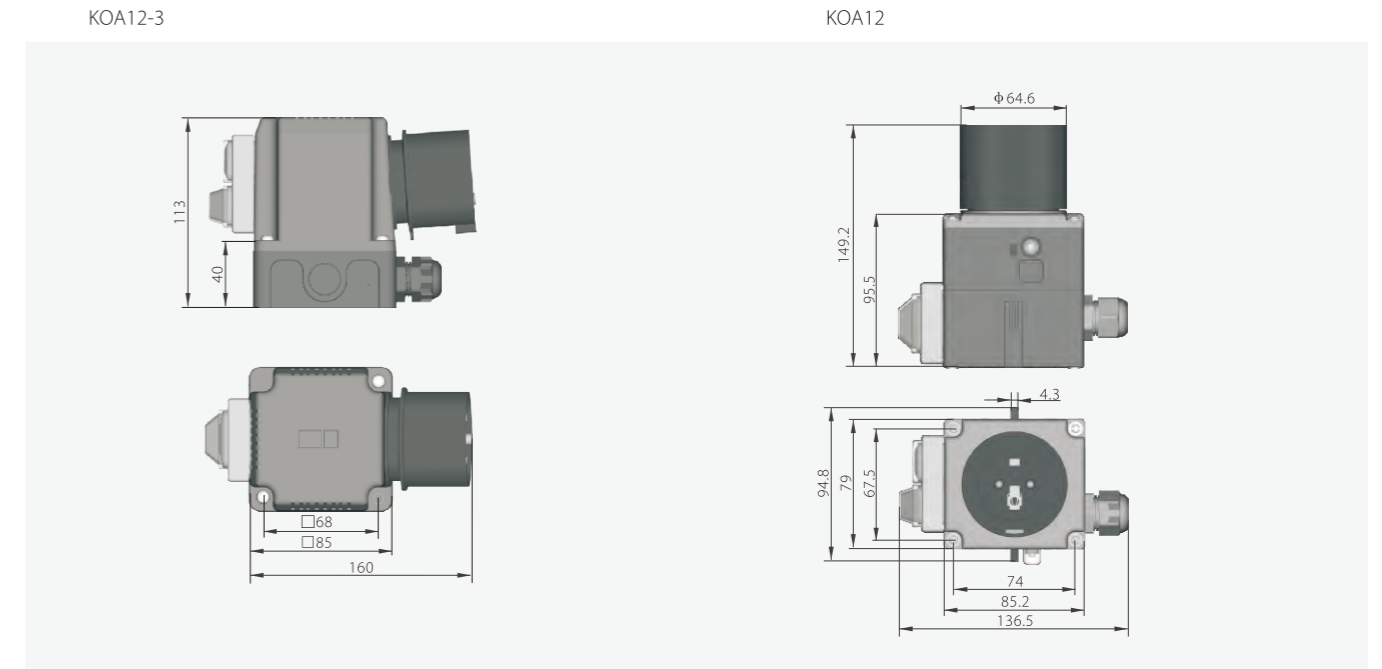
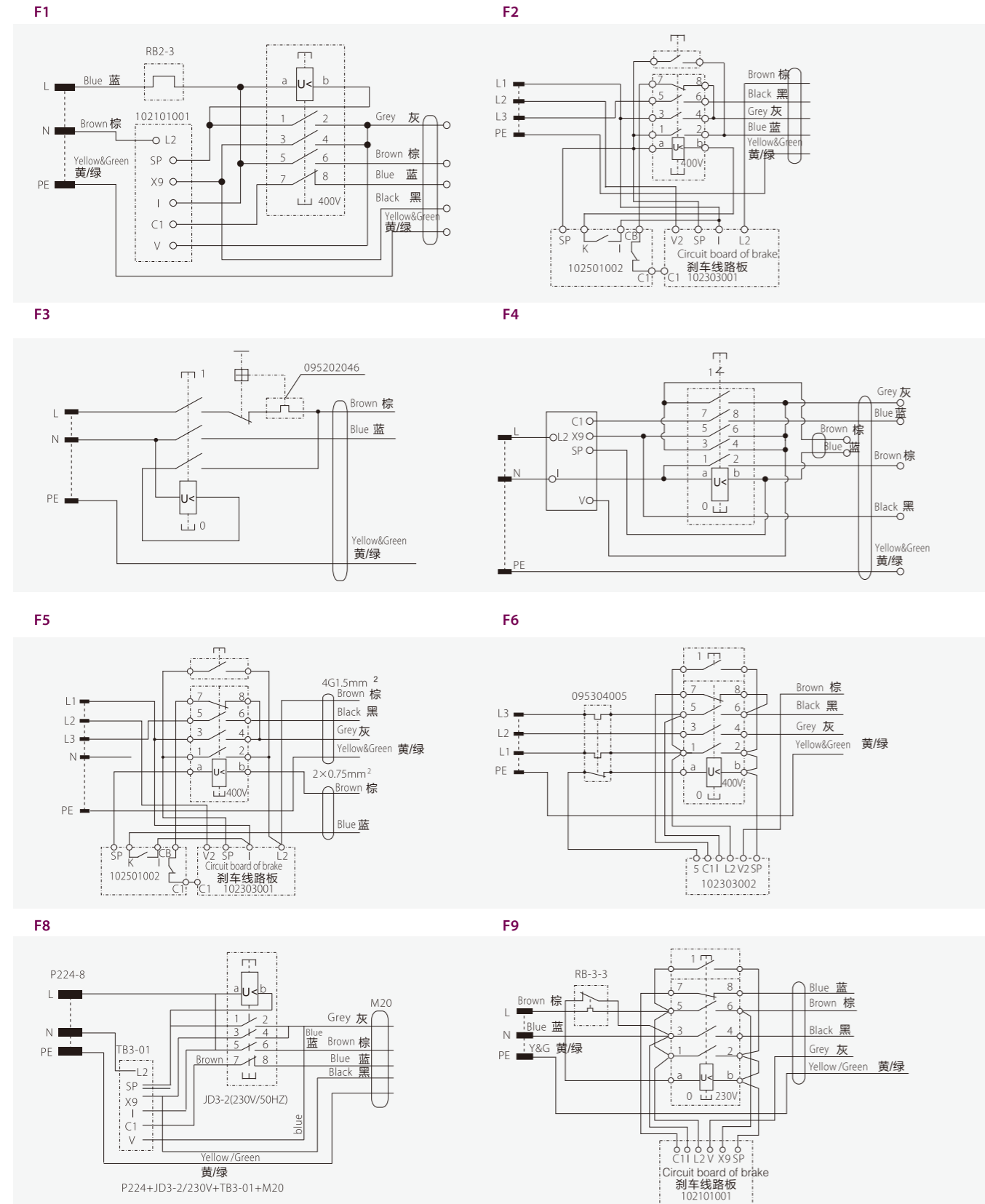


KOA12 Electromagnetic Switch

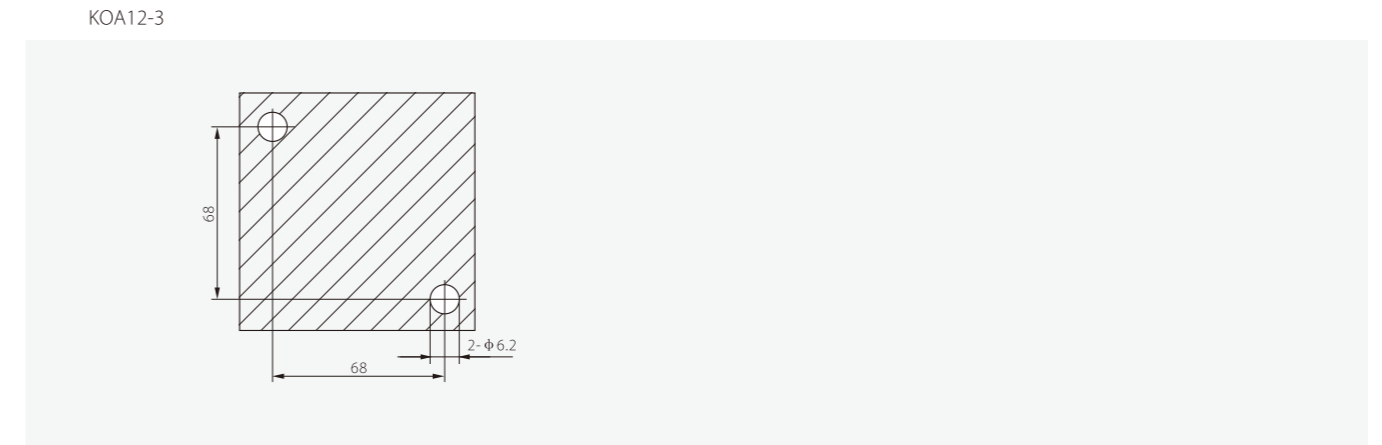
KOA12 电磁开关

Function Options 功能选项

Reference Dimension 参考尺寸



Mounting size 安装孔尺寸



KOA5L Electromagnetic Switch

KOA5L 电磁开关



KOA5L Electromagnetic Switch

KOA5L 电磁开关



KOA5L 025501002



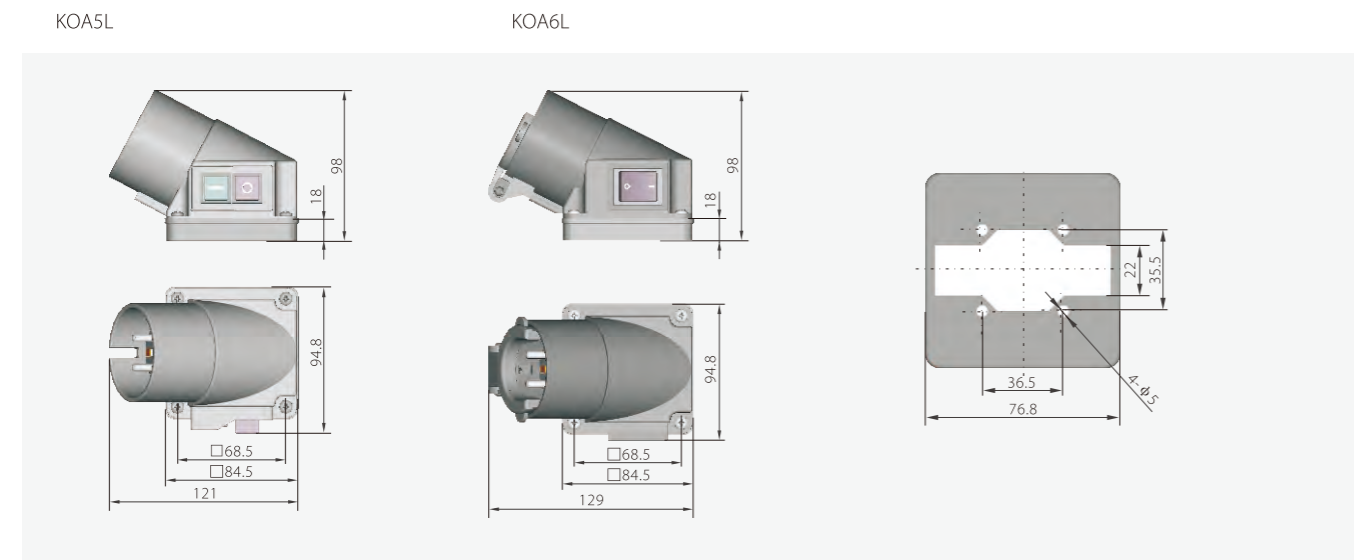
KOA6L 025602001

Description 描述

Switch-plug combination, 1ph alternating current with electromagnetic switch and CEE shrouded plug 2P+E 250V~. Integrated power-cut and under voltage protection.

普通蛙式，配上电磁式开关，其具有停电和欠电压保护功能。输入电源端采用欧式插头，方便、安全、可靠。

Reference Dimension 参考尺寸



Mounting Size 安装尺寸

Specifications 参数

Standard 标准	TUV, CE(EN60947)(For KJD17)	EN61058 (For HY12)
Rated Voltage 额定电压	250V~	250V~
Rated Current 额定电流	15A(AC-3) 16A(AC-1)	16(8)A
Coil Voltage 线圈电压	220-240V~	
Degree of Protection 防护等级	IP44	
Number of operating Cycles 操作循环次数	5E4	
Plug Section 插头	2P+E 16A 250V~	

Order options 订货选项

Main Switch 主体开关	Function 功能	Plug 插头	Voltage/Frequency 电压/频率	Marking on Button 按钮标识	Accessories 附件
MS1 KJD17	F1 	E1 General plug 普通插头 P224	V1 120V~/50Hz	M1	A1 Waterproof Cover 防水罩
MS2 HY12F	F2 	E2 Plug with yellow frame 带黄框插头	V2 120V~/60Hz	M2	
MS3 KJD16	F3 	E3 Plug without earthing 无接地插头 P224-11(2P)	V3 230V~/50Hz	M3	
MS4 HY12-9-4		E4 Plug with earthing 接地插头 P224E-11(2P+E)	V4 230V~/60Hz	M4	
			V5 240V~/50Hz	M5	
			V6 240V~/60Hz	M6	
				M7	
				M8	

KOA13-2 Electromagnetic Switch



KOA13-2 电磁开关



KOA13-2

Description 描述

Switch-Plug combination KOA13 consists of electromagnetic switches or electromagnetic switch with various voltage. The switch can open contacts if the power fails or the rated voltage is low. In order to use in any country, the switch can be supplied with most plug types. Safety is great improved with the Emergency Stop button and PVC Housing.

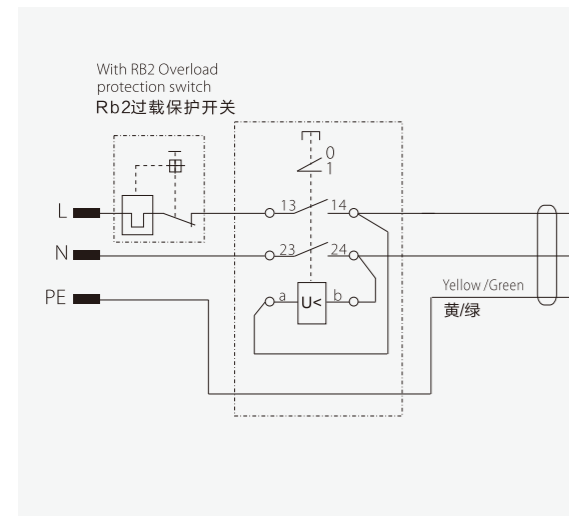
全封闭组合欧式电磁开关，内装多对触头和各种电压供选择的电磁开关，具有断电和欠电压保护功能，并供不同国家的插头以满足不同用户电源连接要求，安全可靠。如装上能锁的急停盖和PVC防水罩，更加安全。

Specifications 参数

Rated Voltage 额定电压	250V~
Rated Current 额定电流	15A(AC-3)
Degree of Protection 防护等级	IP44
Plug Section 插头	2P+E 16A 250V~
Number of operating Cycles 操作循环次数	5E4

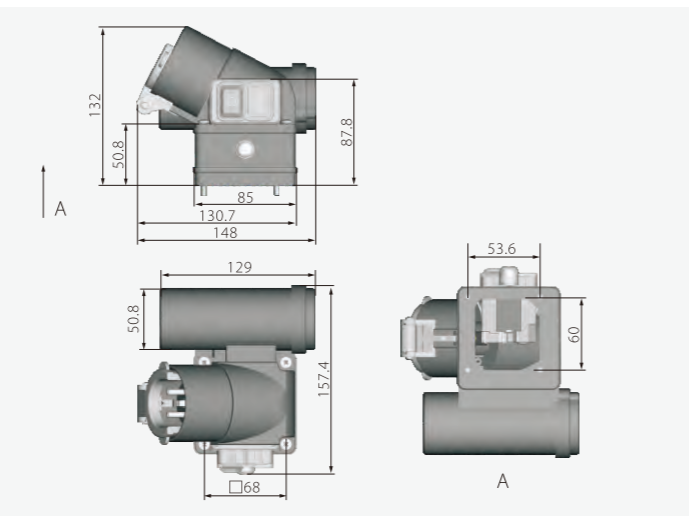
Function 功能

KOA13-2



Reference Dimension 参考尺寸

KOA13-2



KOA9-4 Electromagnetic Switch

KOA9-4 电磁开关



KOA9-4

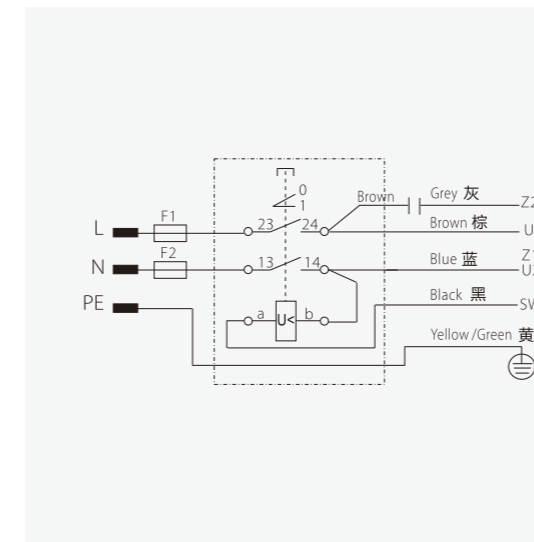
KJD17B

Specifications 参数

Standard 标准	TUV(EN60947)	TUV(EN61058)		UL, CUL (UL508, E195428)		VDE,CE(DIN EN61058,VDE0630)
Rated Voltage 额定电压	250V~	120V~	250V~	120V~	220-240V~	250V~
Rated Current 额定电流	18A(AC-1) 15A(AC-3)	18(16)A	16(12)A	16A 1/2HP	16A 2HP	10(8)A
UC 线圈电压				220-240V~ 100-120V~		
Rated Frequency 额定频率				50/60Hz		
Degree of Protection 防护等级				IP55		
Number of operating Cycles 操作循环次数				5E4		

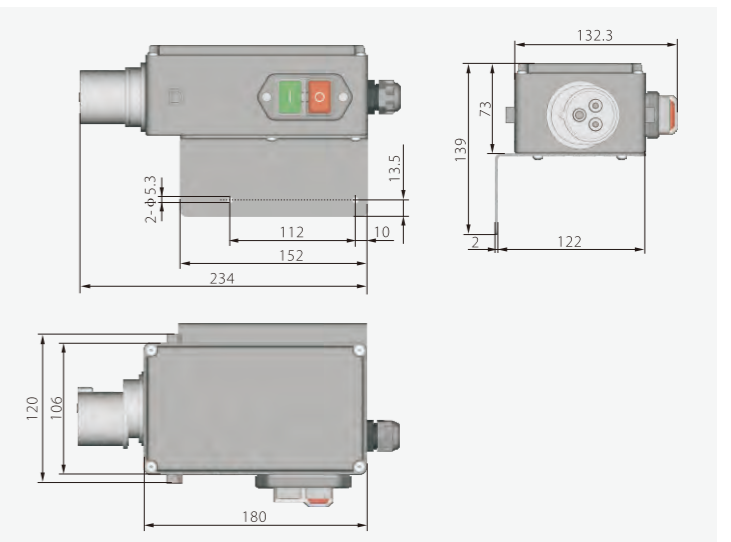
Function 功能

KOA9-4



Reference Dimension 参考尺寸

KOA9-4



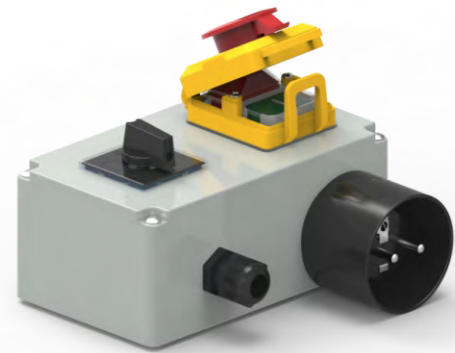
KOA9 Electromagnetic Switch

KOA9 电磁开关

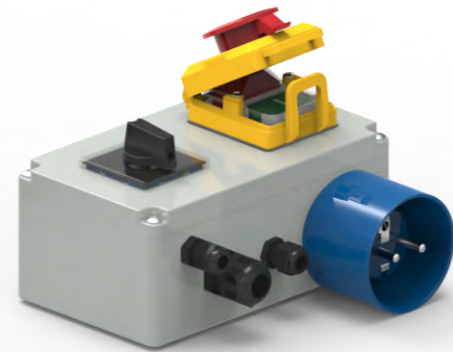


KOA9 Electromagnetic Switch

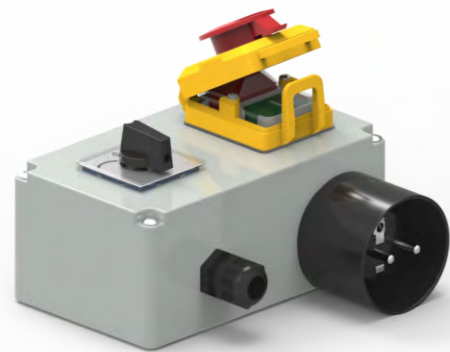
KOA9 电磁开关



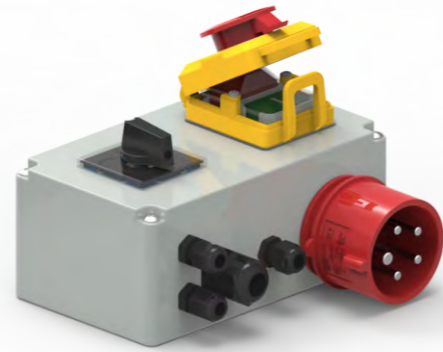
KOA9(025901001)



KOA9(025903004)



KOA9(025903005)



KOA9(025903003)

Description 描述

This switch-plug combination consist of a relay with various voltages, contacts and a rotary switch. The switch can be manufactured with brake, overload protection and emergency stop. The switch KOA9 is used in machines or asynchronous generators. It can also control the direction of motors. When equipped with a brake it can control the speed at the fastest point to avoid danger caused by high speed. The switch can open contacts if the rated voltage is lower or the power fails.

组合电磁开关，内装不同电压和多对触头继电器及转换开关，并供多种插头，制动闸线路板，过载保护开关，急停盖让您选配，应用在机床和异步电动机，具有断电和欠电压保护，能控制马达正反和代替正反开关，线路板控制异步电动机高速运转时的快速刹车，避免惯性危险。

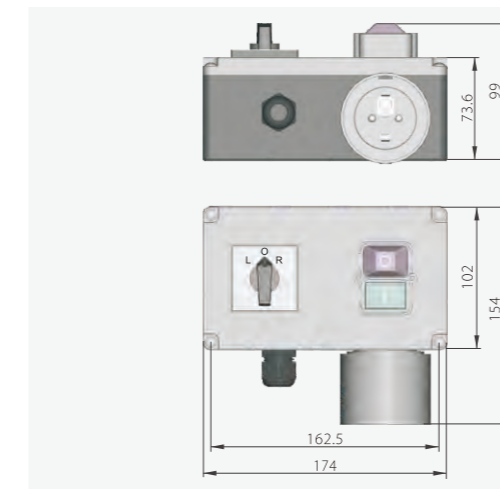
Specifications 参数

Standard 标准	TUV, CE(EN60947)		TUV, CE(EN61058)	
Rated Voltage 额定电压	230V~	400V~	250V~	400V~
Rated Current 额定电流	16A(AC-3) 8A(AC-15)	12A(AC-3) 8A(AC-15)	12(12)A	12(10)A
Degree of Protection 防护等级	IP54			
Plug Section 插头	16A 2P+E/3P+N+E			
Number of operating Cycles 操作循环次数	5E4			

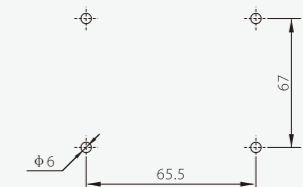
Order options 参数

Plug 插头	Voltage/Frequency 电压/频率	Marking on Button 按钮标识	Marking on Plate 标牌标识	Accessories 附件
E1 Single Phase Black Plug 单相黑插头 P224(2P+E)	V1 120V~/50Hz	M1	MP1	A1 Waterproof Cover 防水罩
E2 Single Phase Blue Plug 单相蓝插头 P224-8(2P+E)	V2 120V~/60Hz	M2		A2 With Emergency Stop and waterproof Cover 带急停和防水罩
E3 Three Phase Red Plug 三相红插头 P225(3P+E+N)	V3 230V~/50Hz	M3	MP2	PL6
E4 Single Phase Yellow Plug 单相黄插头 P224-9(2P+E)	V4 230V~/60Hz	M4		PL2
E5 Three Phase Red Plug with phase change 三相红插头带换相插头 P226E(3P+E+N)	V5 400V~/50Hz	M5	MP3	
E6 Three Phase Red Plug 三相红插头 P241(3P+E)	V6 400V~/60Hz	M6		A3 With brake Protection 带刹车
E7 German Plug 德式插头 P224-7(2P)		M7		
E8 German Plug 德式插头 P224E-7(2P+E)		M8		

Reference Dimension 参考尺寸



Mounting Size 安装孔尺寸



KOA9 Electromagnetic Switch

KOA9 电磁开关

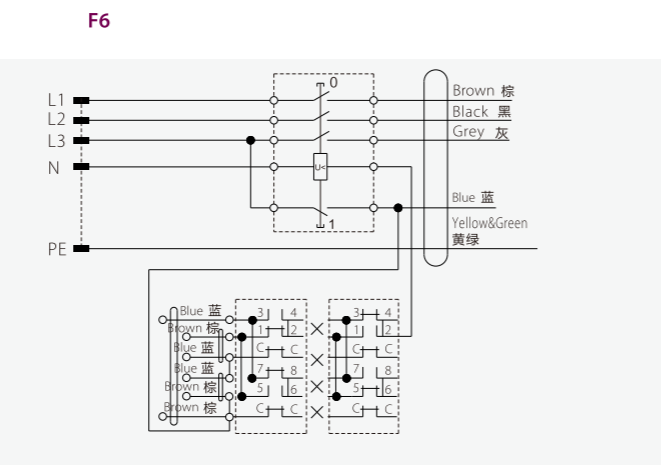
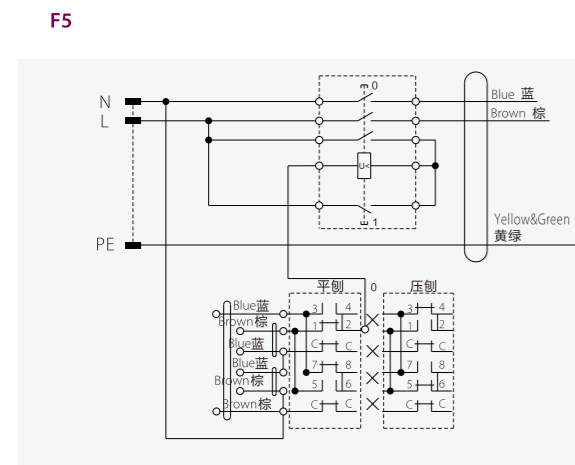
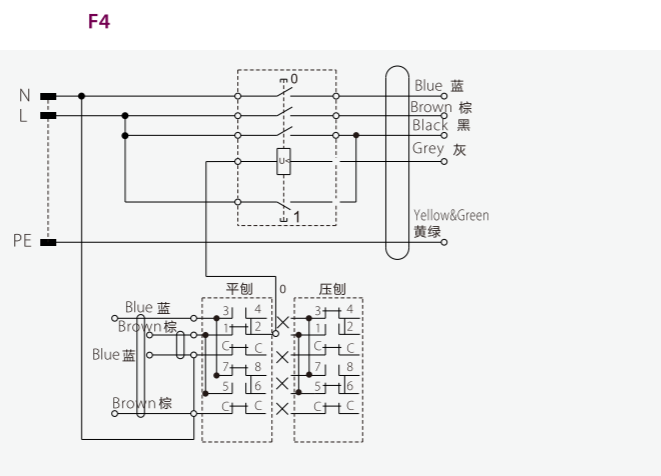
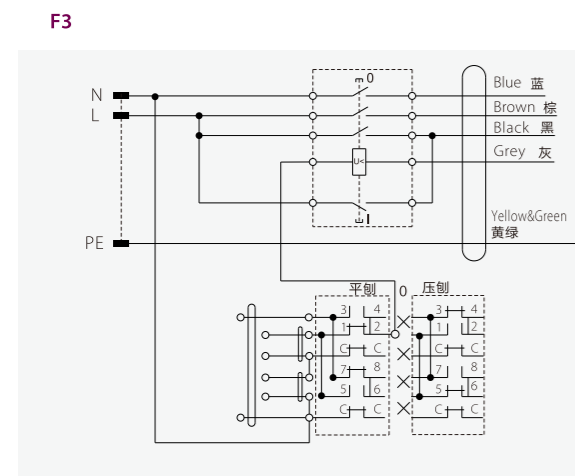
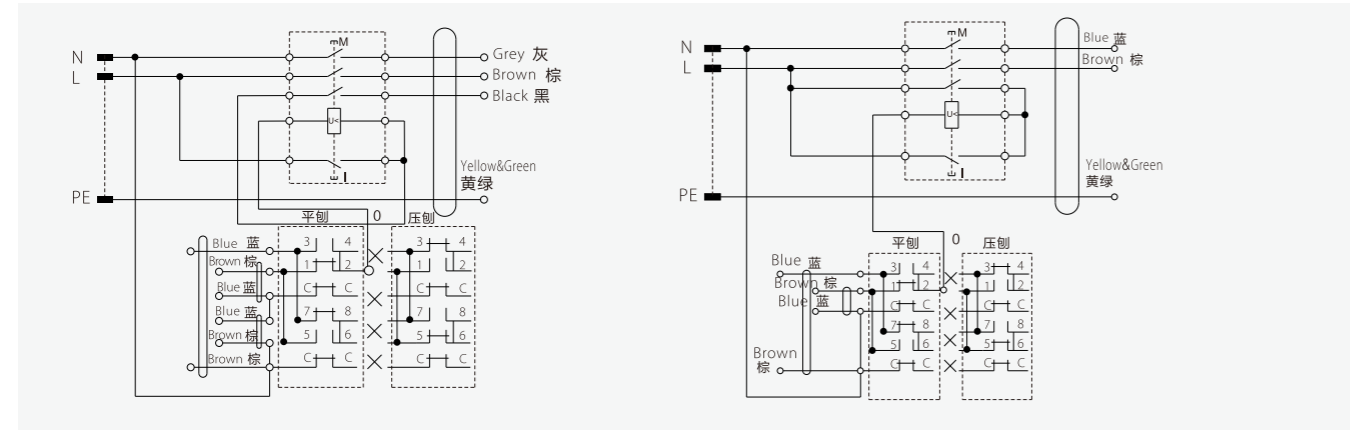


KOA9 Electromagnetic Switch

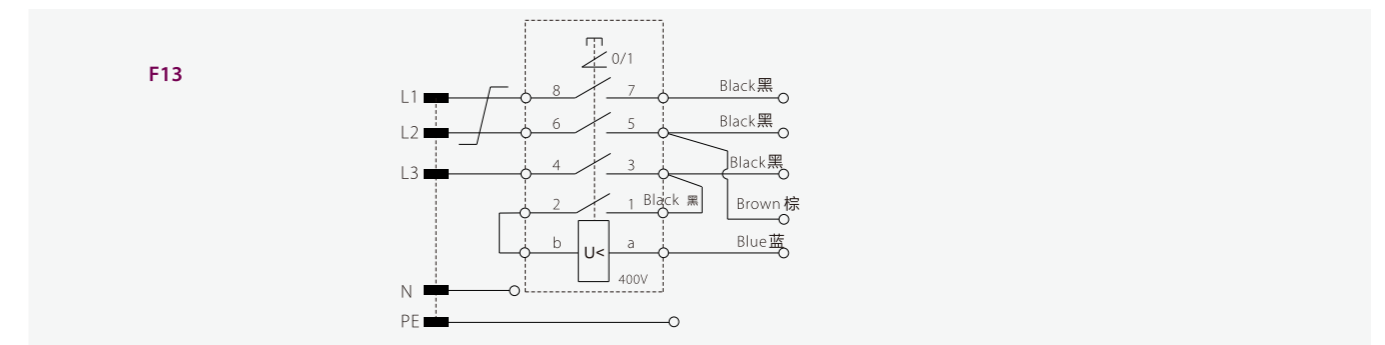
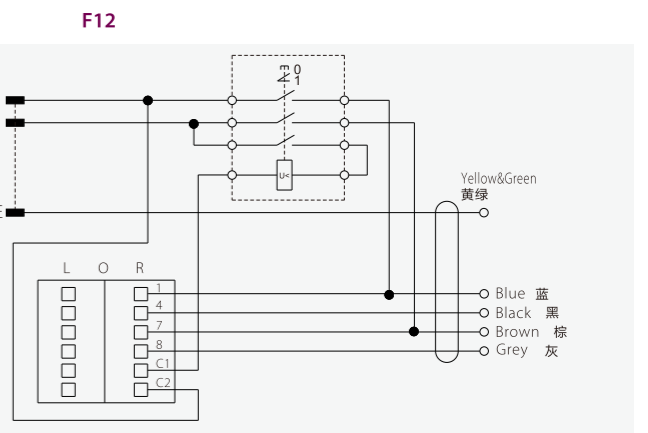
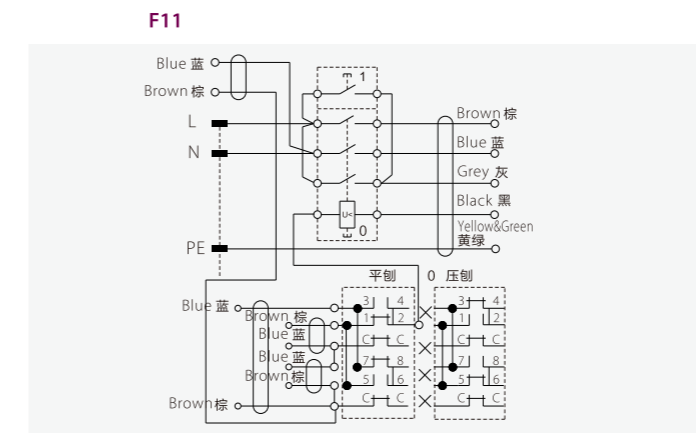
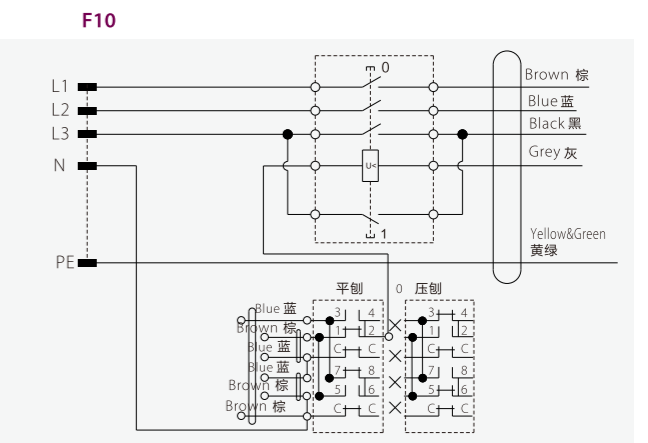
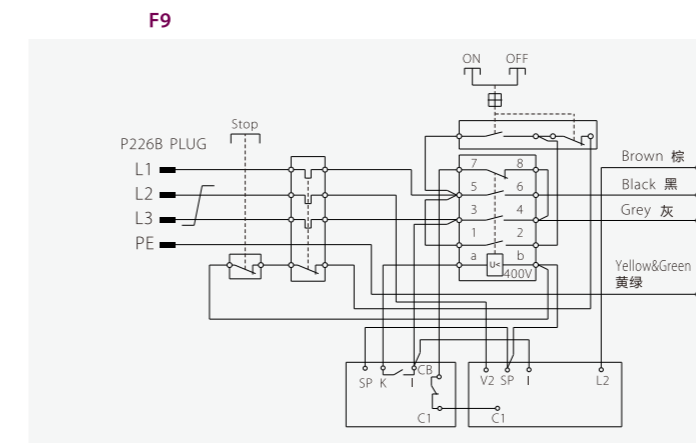
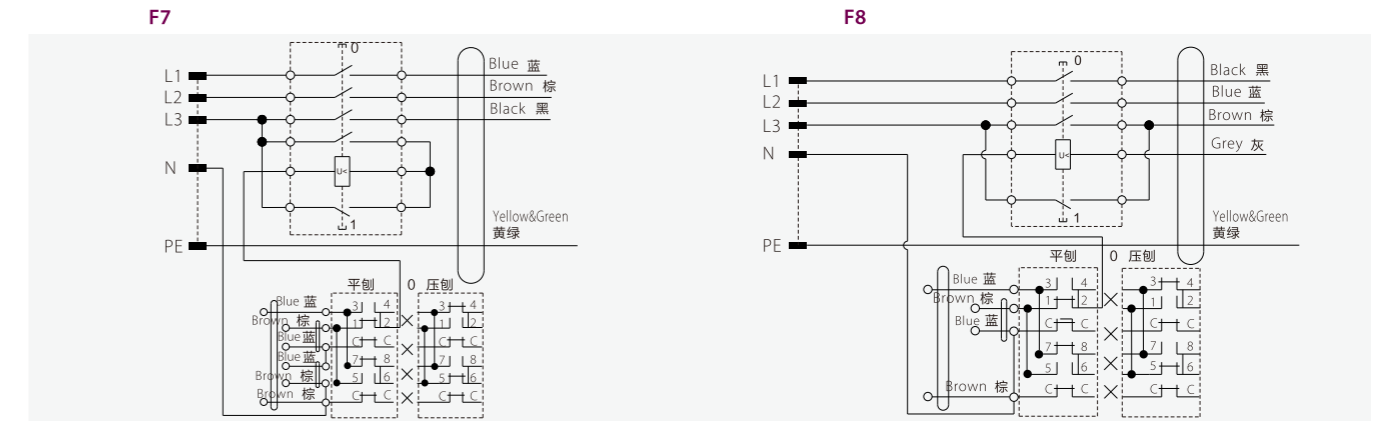
KOA9 电磁开关

Function Options 功能选项

F1 KOA9 Single phase With overload protection, brake function
单相带线路板和热保护



Function Options 功能选项



ZH-43 Combined Cam Switch

ZH-43 组合转换开关



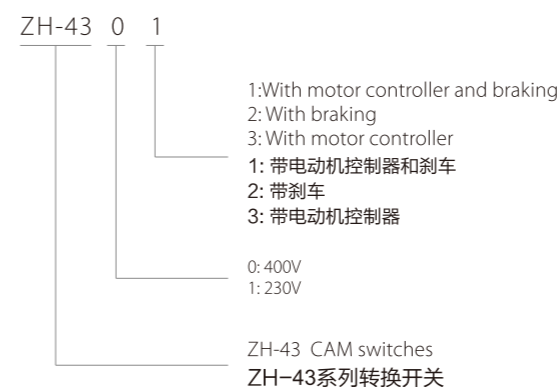
ZH-43 Combined Cam Switch

ZH-43 组合转换开关



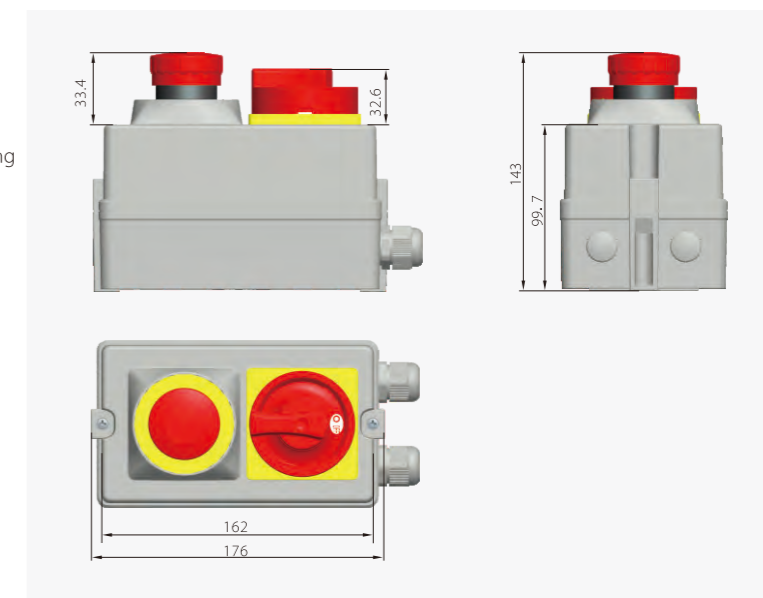
ZH-4301

Ordering code 型号及含义



Reference Dimension 参考尺寸

ZH-4301



Description 描述

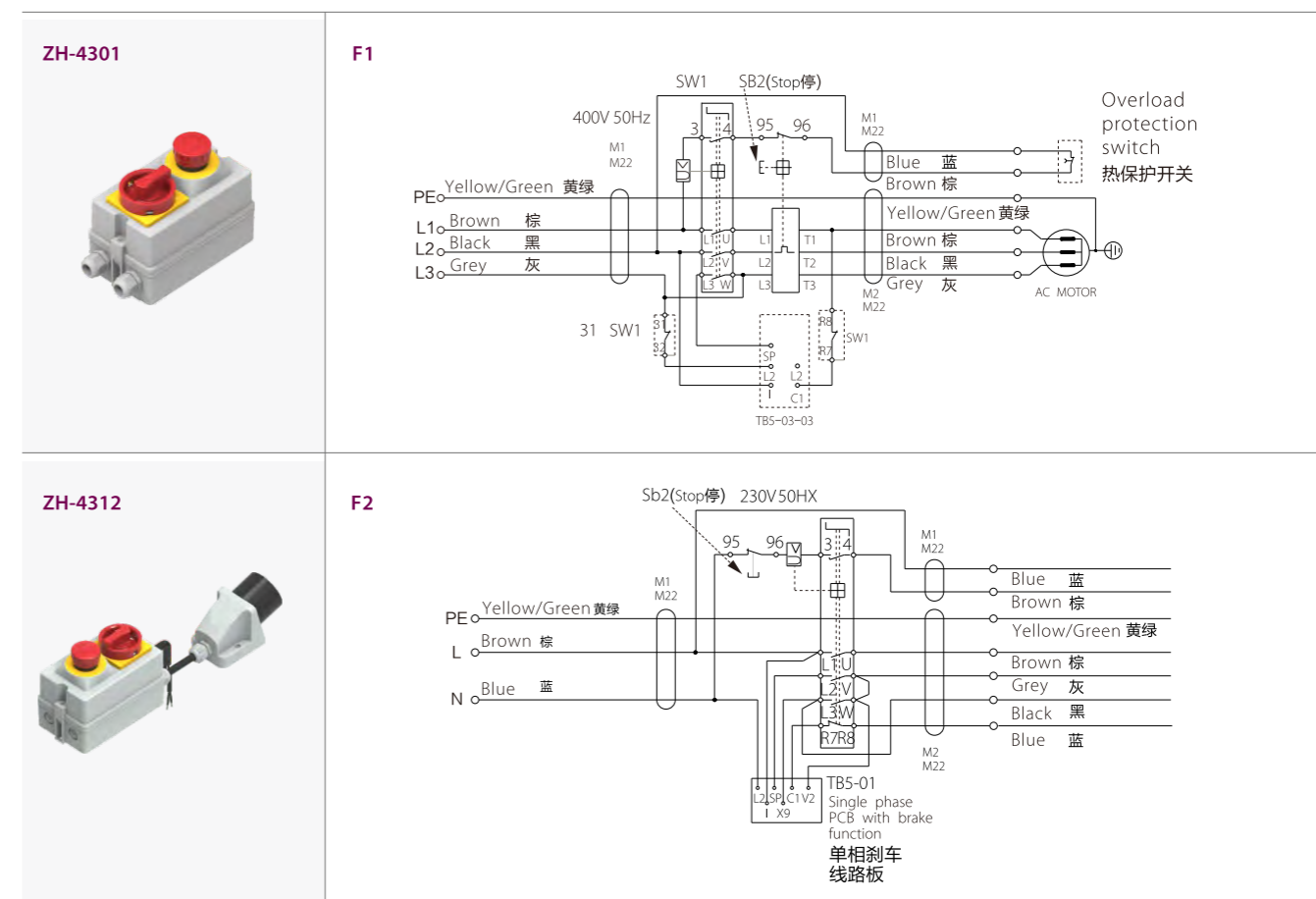
ZH-43 Combined Cam Switch with overload and off protection. Switch and control single or 3 phase motor, especially to control electric saw and grinder machine. Can make machines stop in 4-12S. With brake to control return circuit.

ZH-43组合转换开关主要控制单、三相马达的启动与停止，具有过载保护和断电保护功能，如配有刹车控制回路，在停机时可快速(4~12S)制动马达，该电磁开关适用于大中型电锯、切割机、粉碎机的控制和操作。

Specifications 参数

Standard 标准	IEC/EN 60947-4-1 60947-5-1
Rated voltage 额定电压	230V/400V~ 50/60Hz
Rated current Ie 额定电流	AC-3: 1~20A
Number of poles 极数	2P or 3P
Degree of protection 防护等级	IP54
Number of operating cycles 操作循环次数	5E4
Trip class 脱扣类别	30
Rated insulation voltage 额定绝缘电压	500V
Pollution degree 污染等级	3级
Conditional short circuit current 限制短路电流	1.5KA(Ie=1-16A) 3KA(Ie=20A)
Impulse withstand voltage 脉冲耐受电压	2.5KV
Enclosed thermal current (Ithe) 封闭发热电流 (Ithe)	20A

Order options 订货选项



*Other more functions, Contact the company please
其他更多功能请联系公司

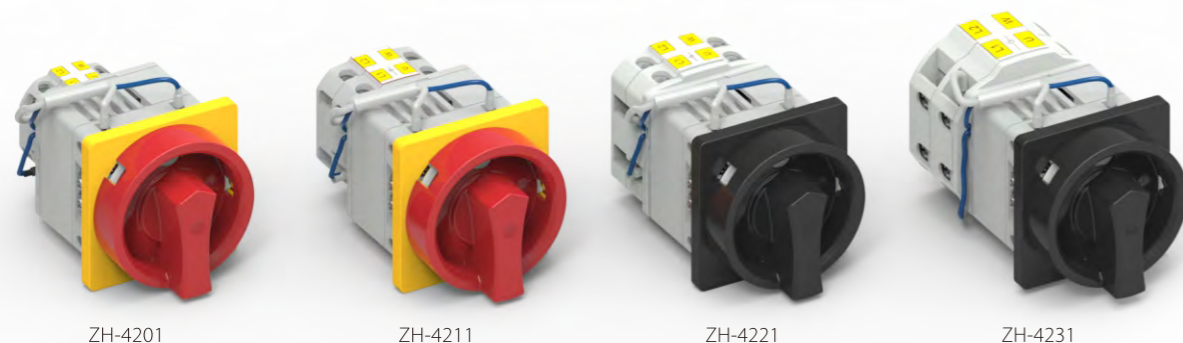
ZH-42 Cam Switch

ZH-42 转换开关



ZH-42 Cam Switch

ZH-42 转换开关



ZH-4201

ZH-4211

ZH-4221

ZH-4231

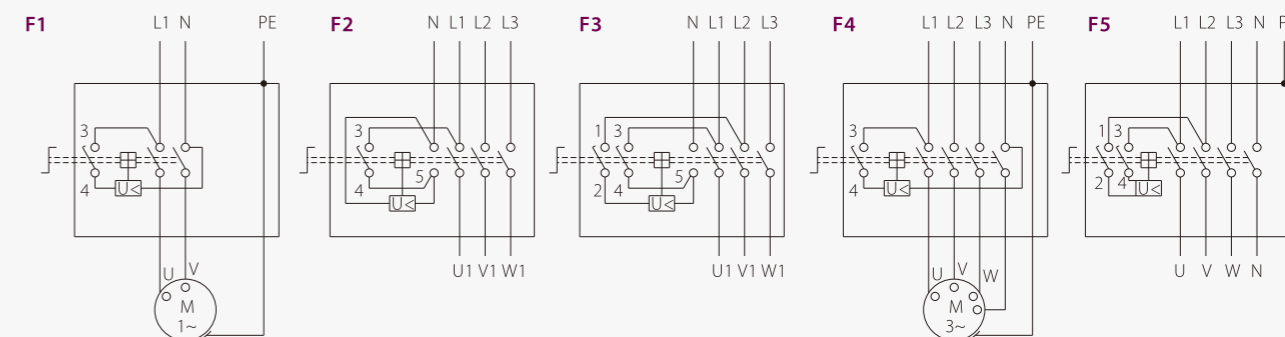
Description 描述

ZH-42 Cam Switch, with undervoltage release and power-off protection, widely applied in main circuit and auxiliary circuit, has many ways of changing as single pole, double pole and three pole switches. It can be used as a motor controller to start, adjust and stop. Running single phase or three phase motor. When in auxiliary circuit, it can be used as controller, signal and test switch. It is characterized by high connecting & breaking capability, long electrical and mechanical life with small size.

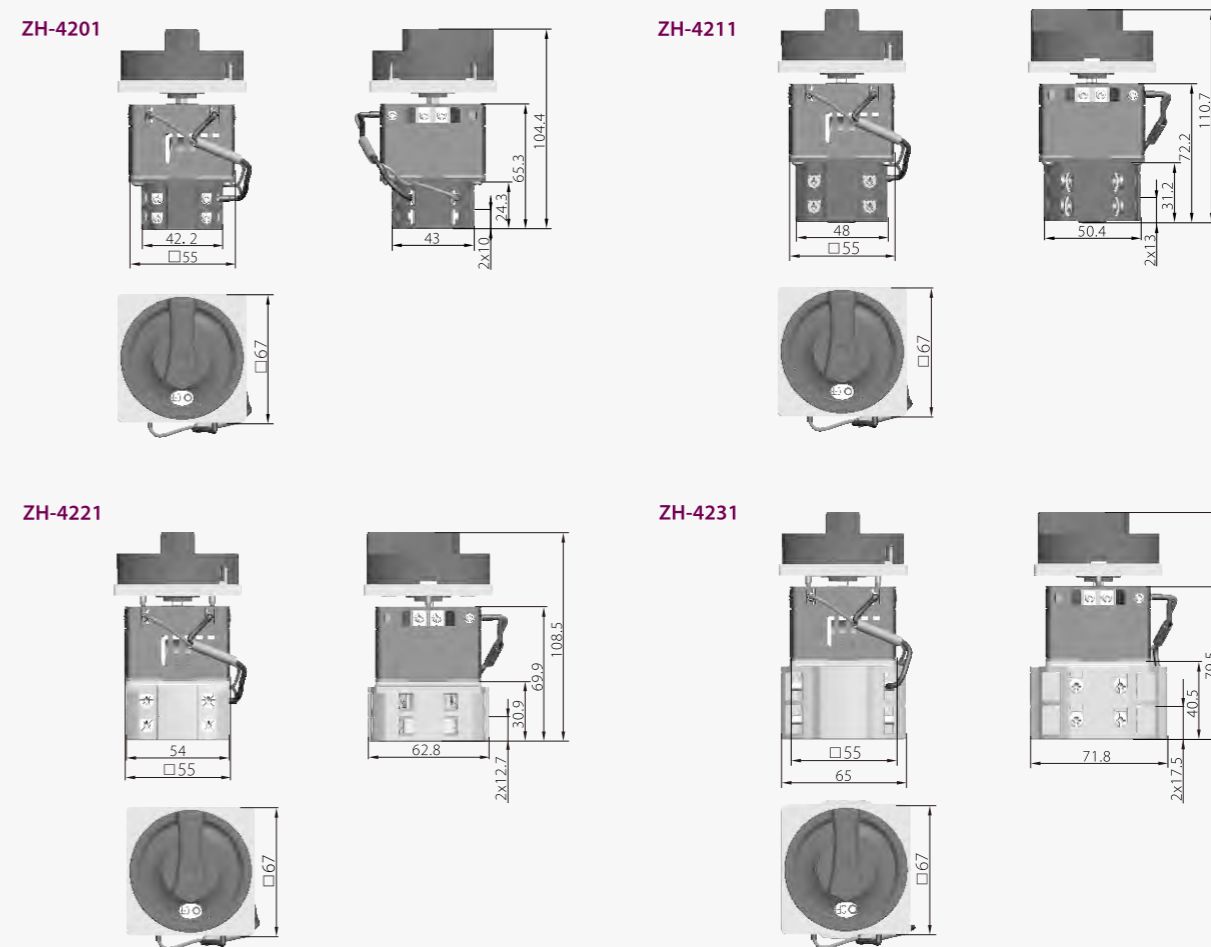
ZH-42系列转换开关具有欠压释放, 停电保护功能, 广泛的应用范围, 适用于主电路和辅助电路。可做为单极、双极和三极开关。当其做为马达开关时, 它们可用于单相或三相马达电机启动、分离和停止等。当做为辅助电路开关时, 它们根据开闭线路需要组装做为控制、信号、测试线路开关。转换开关具有高的接通和分断能力, 电气和机械寿命, 体积小等优点。

ZH-4201 Ith=20A			ZH-4211 Ith=25A			ZH-4221 Ith=45A		
Utilization category 使用类别	Current 电流	Voltage 电压	Utilization category 使用类别	Current 电流	Voltage 电压	Utilization category 使用类别	Current 电流	Voltage 电压
AC-3	12A	220-240VAC/2kW	AC-3	16A	220-240VAC/3.7kW	AC-3	27A	220-240VAC/4.5kW
	12A	380-440VAC/3.7kW		19A	380-440VAC/7.5kW		27A	380-440VAC/7.5kW
	8A	600-690VAC/3.7kW		10A	600-690VAC/5.5kW		16A	600-690VAC/7.5kW
AC-23A/B	16A	220-240VAC/3kW	AC-23A/B	20A	220-240VAC/5.5kW	AC-23A/B	45A	220-240VAC/7.5kW
	16A	380-440VAC/5.5kW		25A	380-440VAC/11kW		45A	380-440VAC/15kW
	12A	600-690VAC/5.5kW		16A	600-690VAC/11kW		28A	600-690VAC/15kW
AC-21A/B	16A	220-240VAC	AC-21A/B	25A	220-240VAC	AC-21A/B	40A	220-240VAC
	16A	380-440VAC		25A	380-440VAC		40A	380-440VAC
	16A	600-690VAC		25A	600-690VAC		40A	600-690VAC
AC-15	6A	220-240VAC	AC-15	10A	220-240VAC	AC-15	16A	220-240VAC
	4A	380-440VAC		5A	380-440VAC		8A	380-440VAC
Ith=25A			Ith=32A			ZH-4231 Ith=63A		
Utilization category 使用类别	Current 电流	Voltage 电压	Utilization category 使用类别	Current 电流	Voltage 电压	Utilization category 使用类别	Current 电流	Voltage 电压
AC-3	16A	220-240VAC/2.2kW	AC-3	19A	220-240VAC/3.7kW	AC-3	32A	220-240VAC/5.5kW
	16A	380-440VAC/5kW		22A	380-440VAC/7.5kW		36A	380-440VAC/11kW
	10A	600-690VAC/5kW		12A	600-690VAC/5.5kW		25A	600-690VAC/11kW
AC-23A/B	22A	220-240VAC/4kW	AC-23A/B	29A	220-240VAC/5.5kW	AC-23A/B	45A	220-240VAC/11kW
	22A	380-440VAC/7.5kW		32A	380-440VAC/11kW		50A	380-440VAC/22kW
	15A	600-690VAC/7.5kW		22A	600-690VAC/11kW		32A	600-690VAC/22kW
AC-21A/B	20A	220-240VAC	AC-21A/B	32A	220-240VAC	AC-21A/B	63A	220-240VAC
	20A	380-440VAC		32A	380-440VAC		63A	380-440VAC
	20A	600-690VAC		32A	600-690VAC		63A	600-690VAC
AC-15	8A	220-240VAC	AC-15	14A	220-240VAC	AC-21A/B	63A	380-440VAC
	5A	380-440VAC		6A	380-440VAC		63A	600-690VAC

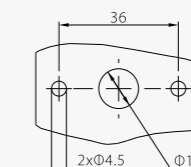
Function Options 功能选项



Reference Dimension 参考尺寸



Mounting Size 安装尺寸



RB7 Electromagnetic Motor Starter

RB7 电磁式马达启动器



RB7 Electromagnetic Motor Starter

RB7 电磁式马达启动器



Description 描述

Rb7 electromagnetic motor starters with overload and power off protection are mainly used to control the start/stop of a single or three phase motor. It is suitable for the control and operation of electric saws, cutters and grinders etc. It can promptly brake motors (4-12s) when equipped with a brake control circuit.

RB7系列电磁式马达启动器主要控制单、三相马达的启动与停止，具有过载保护和断电保护功能，如配有刹车控制回路，在停机时可快速(4~12S)制动马达，该电磁开关适用于大中型电锯、切割机、粉碎机的控制和操作。

Specifications 参数

Standard 标准	IEC/EN 60947-4-1 60947-5-1
Rated Voltage 额定电压	230/400V~ 50-60Hz
Rated Current 额定电流	1.6~25A
Conditional Short-circuit Current 限制短路电流	1.5KA(I _e ≤16A) 3.0KA(I _e >16A)
Rated Insulation Voltage 额定绝缘电压	500V~
Number of Operating Cycles 操作循环次数	5E4
Degree of protection 防护等级	IP54


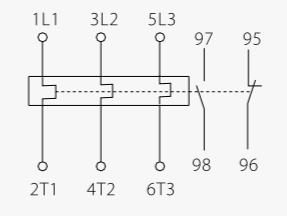
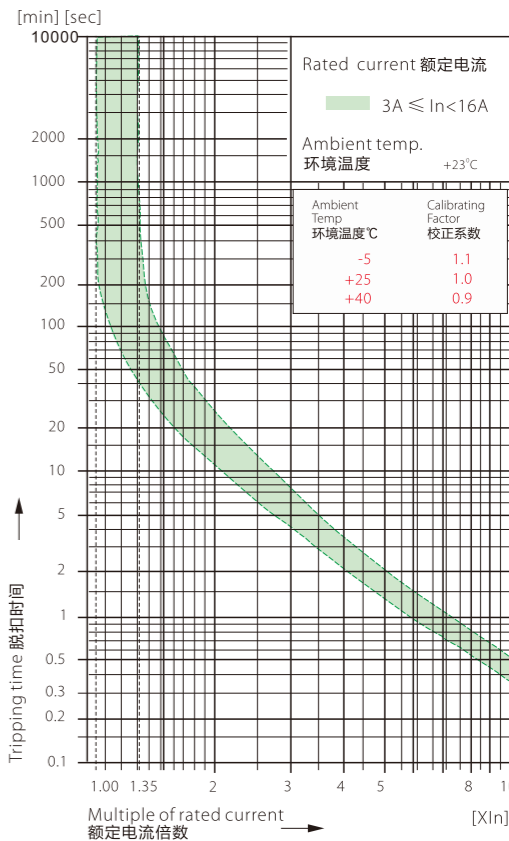

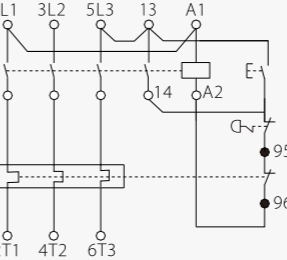

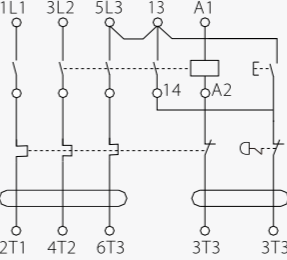
Order information 订货需知

Please send us the detailed specification before ordering:

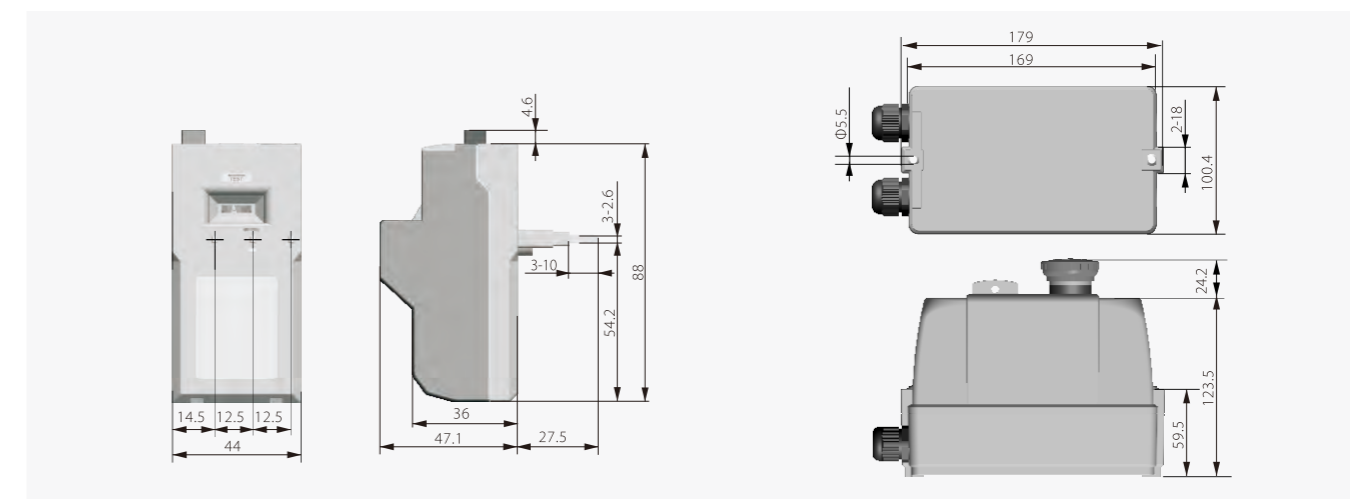
客户订货前请提供以下参数:

- | | |
|-------------------------------------|-------------------|
| 1.Motor Power: _____ W | 1.电机功率: _____ W |
| 2.Rated Current: _____ A | 2.额定电流: _____ A |
| 3.Rated Voltage: _____ V | 3.额定电压: _____ V |
| 4.General Tripping Current: _____ A | 4.正常脱扣电流: _____ A |
| 5.Tripping Characteristic: _____ | 5.脱扣特性曲线. |

Order options 订货选项

Appearance 外形图	Function 功能	Tripping Characteristic 脱扣特性曲线								
		 <p>Rated current 额定电流 3A ≤ I_n < 16A</p> <p>Ambient temp. 环境温度 +23°C</p> <table border="1"> <tr> <td>Ambient Temp. 环境温度 °C</td> <td>Calibrating Factor 校正系数</td> </tr> <tr> <td>-5</td> <td>1.1</td> </tr> <tr> <td>+25</td> <td>1.0</td> </tr> <tr> <td>+40</td> <td>0.9</td> </tr> </table>	Ambient Temp. 环境温度 °C	Calibrating Factor 校正系数	-5	1.1	+25	1.0	+40	0.9
Ambient Temp. 环境温度 °C	Calibrating Factor 校正系数									
-5	1.1									
+25	1.0									
+40	0.9									
										
										

Reference Dimension 参考尺寸



JD3 JD4 Relay

JD3 JD4 继电器



JD3 JD4 Relay

JD3 JD4 继电器



JD4



JD3-2



JD3-4

Description 描述

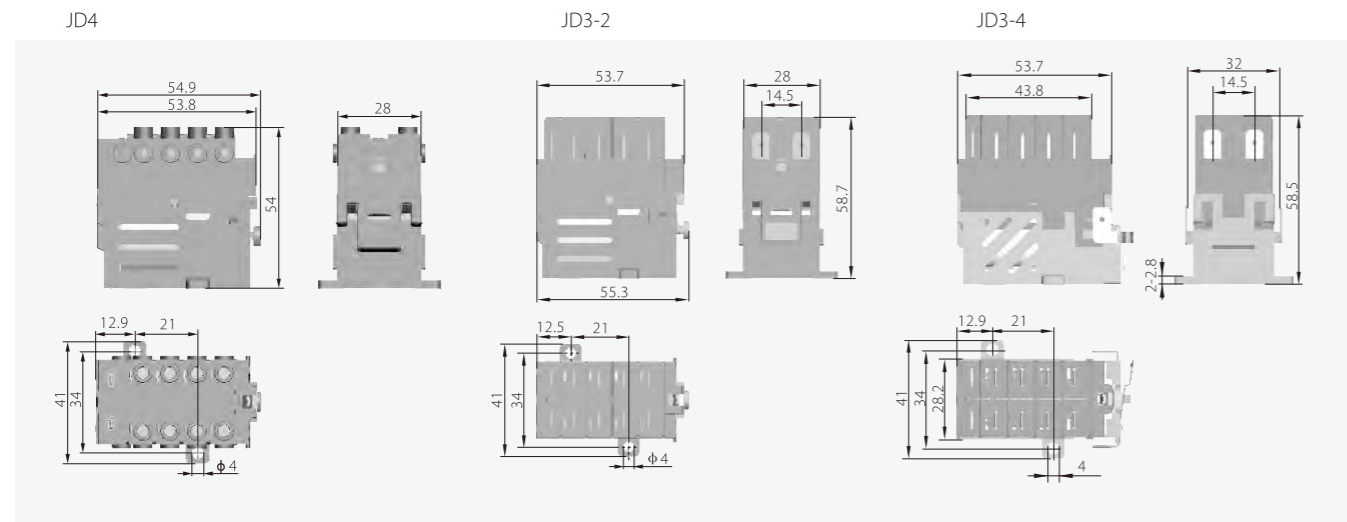
The JD3-2 and JD4 switches can prevent danger from vibration, by avoiding misconnection. JD3-4 also has this function.

JD3-2和JD4系列产品配上防误接通附加触头后，可防止设备在移动中因振动而使开关接通的危险发生，JD3-4自身已带此功能。

Specifications 参数

Standard 标准	TUV, CE(EN60947-4-1)	
Rated Voltage 额定电压	230V~	400V~
Rated Current 额定电流	16A(AC-3) 8A(AC-15) Ith:16A	12A(AC-3) 8A(AC-15) Ith:16A
Number of operating Cycles 操作循环次数	5E4	
Rated Frequency 额定频率	50/60Hz	

Reference Dimension 参考尺寸

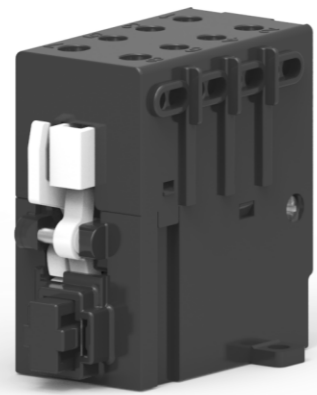


Order options 订货选项

Product appearance 产品外形	Function 功能	Function of Auxiliary Contact 附加触头及防误接通功能	Coil Voltage/Frequency 线圈电压/频率
JD4 	F1 	With auxiliary contact to avoid misconnection 附加触头（防误接通） A1 NO+NC A2 NC A3 NO M1 Avoid misconnection 防误接通功能 Note:JD3-4 Can be with integrated Aux Contact No to avoid mis Connection 注：JD3-4可带集成的NO附加触头及防误接通功能	V1 100-120V~/50Hz V2 100-120V~/60Hz V3 230V~/50Hz V4 230V~/60Hz V5 400V~/50Hz V6 400V~/60Hz
JD3-2 	F2 		
JD3-4 	F3 		
	F4 		
	F5 		



021201



021211

Description 描述


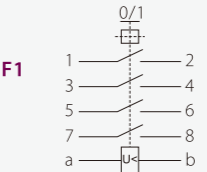
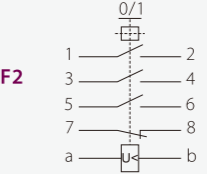

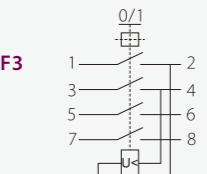
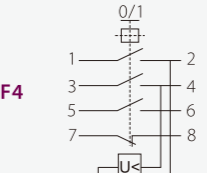
This switch has the function of disconnection and low voltage. The switch will cut off with low or no voltage. JD3-2 and JD4 switches can prevent danger from vibration by adding an additional contactor. JD3-4 also has this function.

该开关具有停电和欠电压保护功能。一旦断电或欠电压，开关自动断开，再来电时，须重新按开关。产品内带锁止机构，用小体积线圈控制操作机构，满足大电流的触头压力需求。

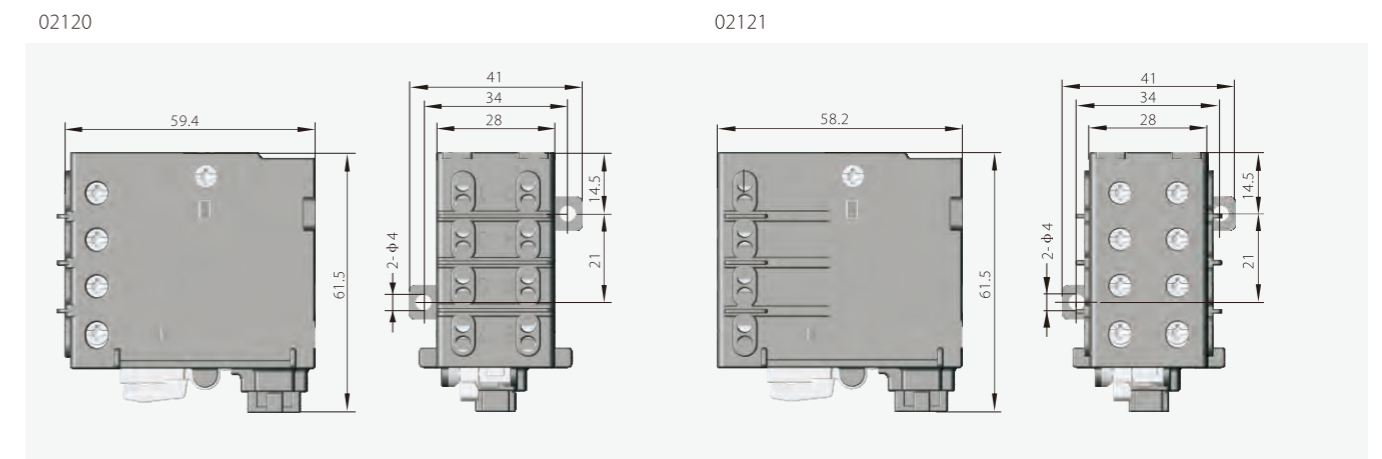
Specifications 参数

Standard 标准	EN60947-4-1, EN60947-5-1	
Rated Voltage 额定电压	230V~	400V~
Rated Current 额定电流	25A(AC-1) 20A(AC-3) 15A(AC-15)	16A(AC-3) 12A(AC-15)
Rated Frequency 额定频率	50/60Hz	
Number of operating Cycles 操作循环次数	5E4	

Order options 订货选项

Product appearance 产品外形	Function 功能	Voltage 线圈电压/频率
02121  Entry Cable from side 侧面出线	F1  F2 	V1 220-240V~/50Hz V2 220-240V~/60Hz V3 380-400V~/50Hz V4 380-400V~/60Hz
02120  Entry Cable from bottom 底部出线	F3  F4 	

Reference Dimension 参考尺寸



JD6 AC Contactor

JD6 交流接触器



JD6 AC Contactor

JD6 交流接触器



JD6

Description 描述

The JD6 AC contactor is mainly used in the circuit of AC 50/60Hz, with rated voltage up to 440V. In rated voltage 380V under AC-3 it can connect and disconnect circuit remotely and frequently start and control the AC motor. Whats more, it can be transformed into electromagnetic starter with a thermal relay for protecting the circuit from overloading.

JD6系列AC接触器主要用于AC50Hz/60Hz电路，额定工作电压至440V，在AC-3 额定电压380V下远程通断电路和频繁启动与控制交流电机，且它能转换成带热继电器的电磁启动用于保护过载电路。

Specifications 参数

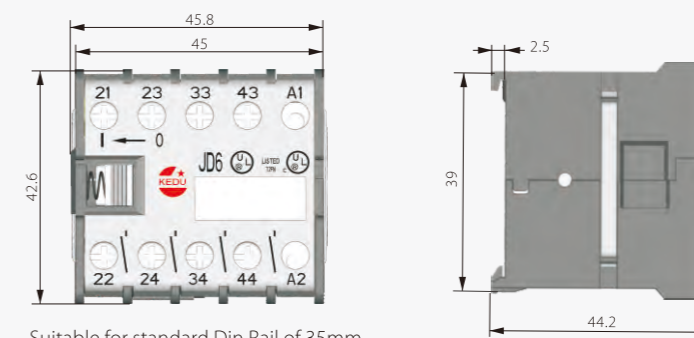
Standard 标准	IEC947-4-1	UL508, E215185	
Rated Voltage 额定电压	250V~ U _e ≤440V~	240V~	400V~
Rated Current 额定电流	9A(AC-3) 25A(AC-1)	9.6A	6.1A
Coil Voltage 线圈电压(V)	24,110,120,230,240,400		
Rated Insulation Voltage 额定绝缘电压	U _i =500V~		
Frequency Limits 频率范围	50Hz or(或) 60Hz		
Electrical Life 电气寿命	5×10 ⁵ Cycles		
Ambient Air Temperature 周围环境温度	-20°C...+50°C		
Short-Circuit Current 短路电流	5KA 240V~		

Order options 订货选项

Product appearance 产品外形	Function 功能	Coil Voltage/Frequency 线圈电压/频率	
	F1		V1 110V~/50Hz V2 110V~/60Hz V3 230V~/50Hz
	F2		V4 230V~/60Hz V5 240V~/50Hz V6 240V~/60Hz V9 400V~/50Hz
	F4		V10 400V~/60Hz V11 24V AC
	F5		

Reference Dimension 参考尺寸

JD6



Suitable for standard Din Rail of 35mm
适用于35mm标准导轨安装

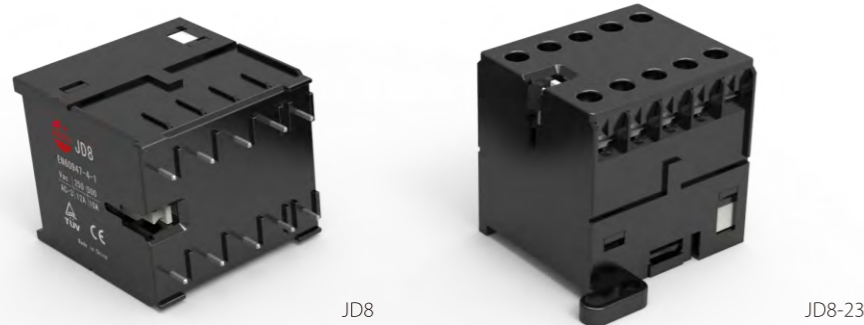
JD8 AC Contactor

JD8 交流接触器



KJD31 Electromagnetic Switch

KJD31 电磁开关



JD8

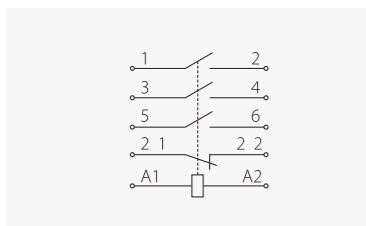
JD8-23

Specifications 参数

Standard 标准	TUV, CE(EN60947-4-1)	
Rated Voltage 额定电压	250V~	500V~
Rated Current 额定电流	AC-3:12A	AC-3:10A
Rated Frequency 额定频率	50Hz	
Number of operating Cycles 操作循环次数	5E4	

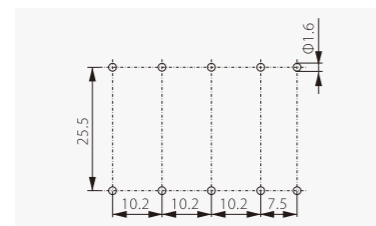
Function 功能

JD8



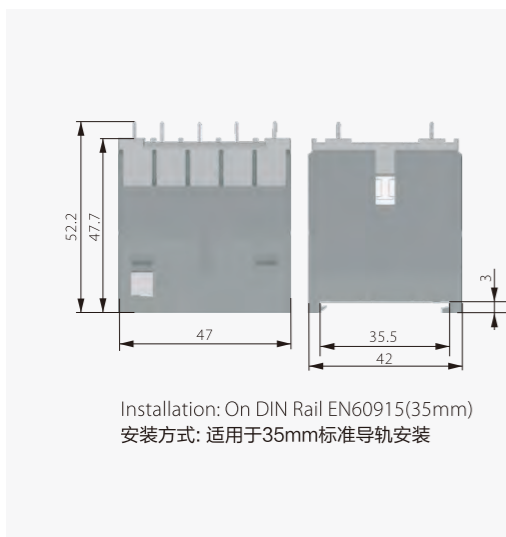
Dimension of weld hole 焊接孔尺寸

JD8

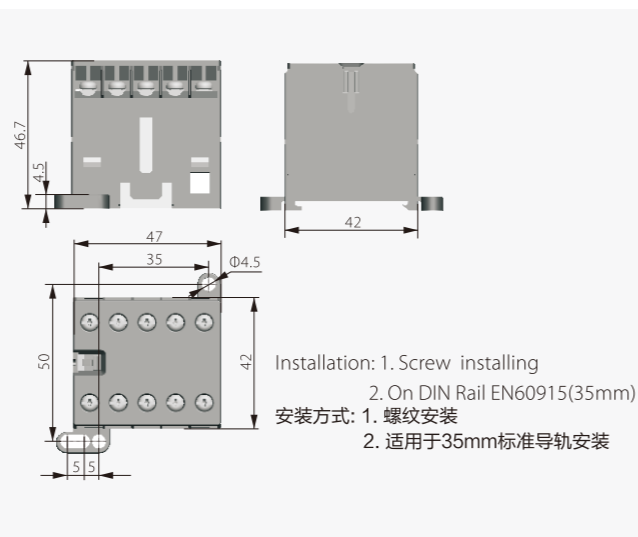


Reference Dimension 参考尺寸

JD8



JD8-23



013111

013112

013113

Description 描述

KJD31 electromagnetic switch protects from under voltage. It can be widely applied in industrial machines and used as a motor controller when combined with other switch gears.

KJD31电磁开关具有停电保护和欠压保护功能，广泛用于工业机械，通常与其它开关设备组装做为马达控制设备。

Specifications 参数

Standard 标准	TUV, CE (EN60947-4-1 EN60947-5-1)	
Rated Voltage 额定电压	230V~	400V~
Rated Current 额定电流	16A (AC-3)	12A (AC-3) 8A (AC-15)
Number of operating Cycles 操作循环次数	5E4	
Rated Frequency 额定频率	50/60Hz	

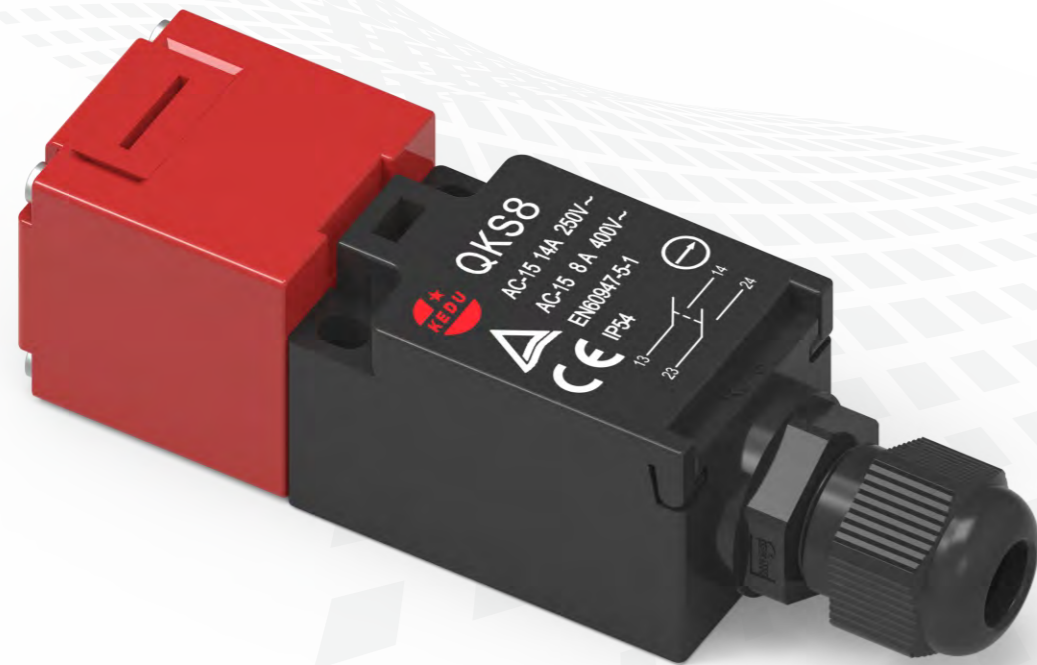
Order options 订货选项

Product appearance 产品外形	Function 功能	Coil Voltage/Frequency 线圈电压/频率	Reference Dimension 参考尺寸
	F1 	V1 100-120V/50Hz V2 100-120V/60Hz V3 220-240V /50Hz V4 220-240V /60Hz V5 380-400V/50Hz V6 380-400V/60Hz	
	F2 		
	F3 		
	F4 		
	F5 		
	F6 		

Safety Limited/Interlocking Switches

安全限位/互锁开关系列

- When the safety door is open, equipment will not have any dangerous movement.
- If the safety door is open during operation, the equipment will stop all dangerous movement.
- When the safety door is closed, equipment movement will not be directly activated.
- 安全防护门打开时，确保机器设备不会产生危险动作。
- 在机械设备动行过程中，如果将安全防护门打开，确保机械设备的危险动作停止下来。
- 关闭安全防护门时，不会直接启动机械设备的危险动作。



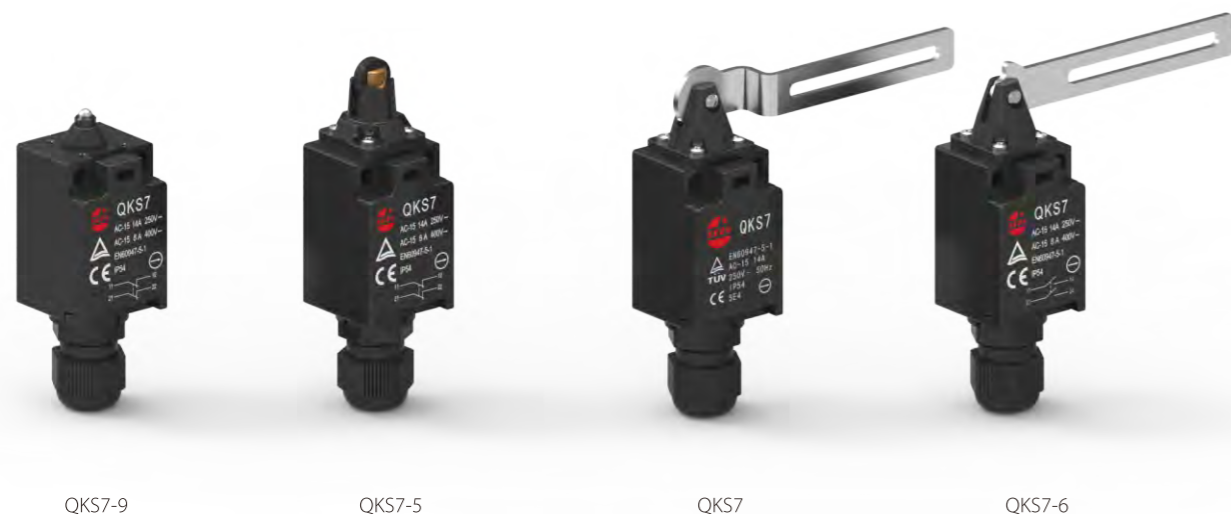
Head comes in various shapes to meet different assembly requirements

多种头部方式满足更多安装要求



Always pushing the boundaries of technology and quality.

苛求品质，不断超越



QKS7-9

QKS7-5

QKS7

QKS7-6

Description 描述

The QKS7 safety door switches have a disconnect-type of control key, which can be replaced by the controlling part. This kind of safety switch has the following functions:

.When the safety is door open, equipment will not have any dangerous movement.

.If the safety door is open during operation, the equipment will stop all dangerous movement.

.When the safety door is closed, equipment movement will not be directly activated.

QKS7系列安全门开关，具有一个分离式的操纵钥匙(可以不带，用客户自己机器上的操纵部件代替)，使用安全门开关能实现以下功能：

- 安全防护门打开时，确保机器设备不会产生危险动作。
- 在机械设备运行过程中，如果将安全防护门打开，确保机械设备的危险动作停止下来。
- 关闭安全防护门时，不会直接启动机械设备的危险动作。

Specifications 参数

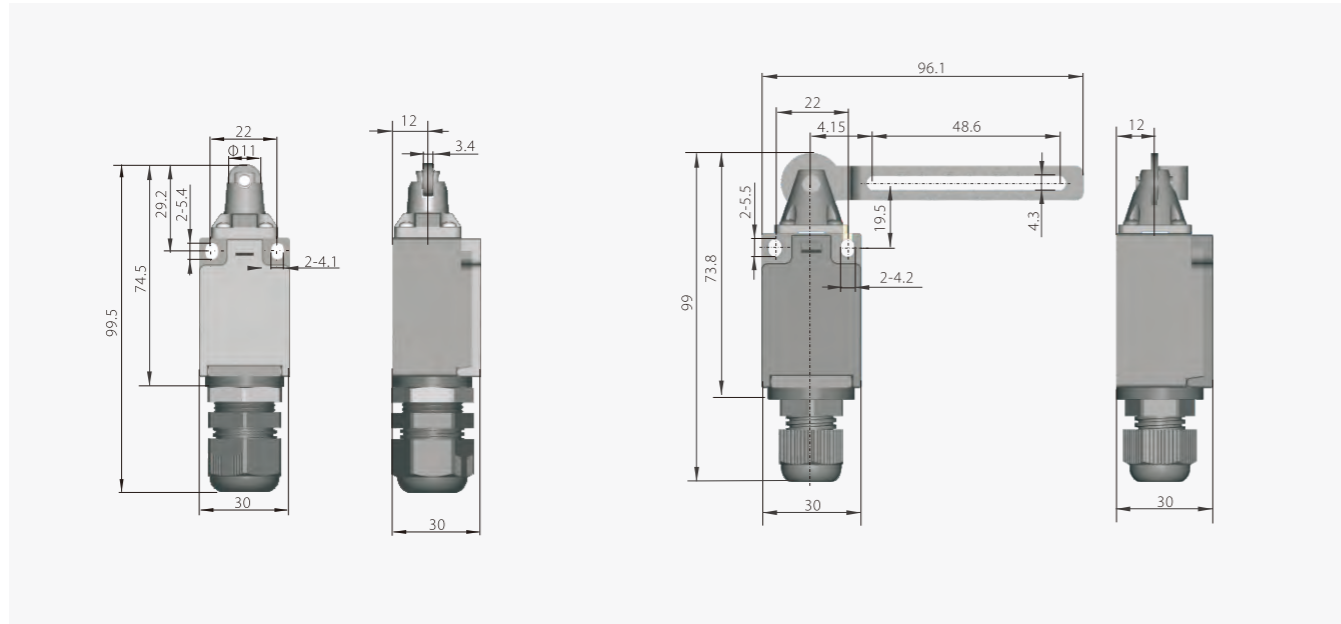
Standard 标准	TUV(EN60947)	
Rated Voltage 额定电压	250V~	400V~
Rated Current 额定电流	12A, 14A (AC-15)	8A (AC-15)
Protection 防护等级	IP54	
Poles 极数	Double Pole(双极)	
Terminals 端子	Screw(螺钉)	
Number of Operating Cycles 操作循环次数	5E4	

Order options 订货选项

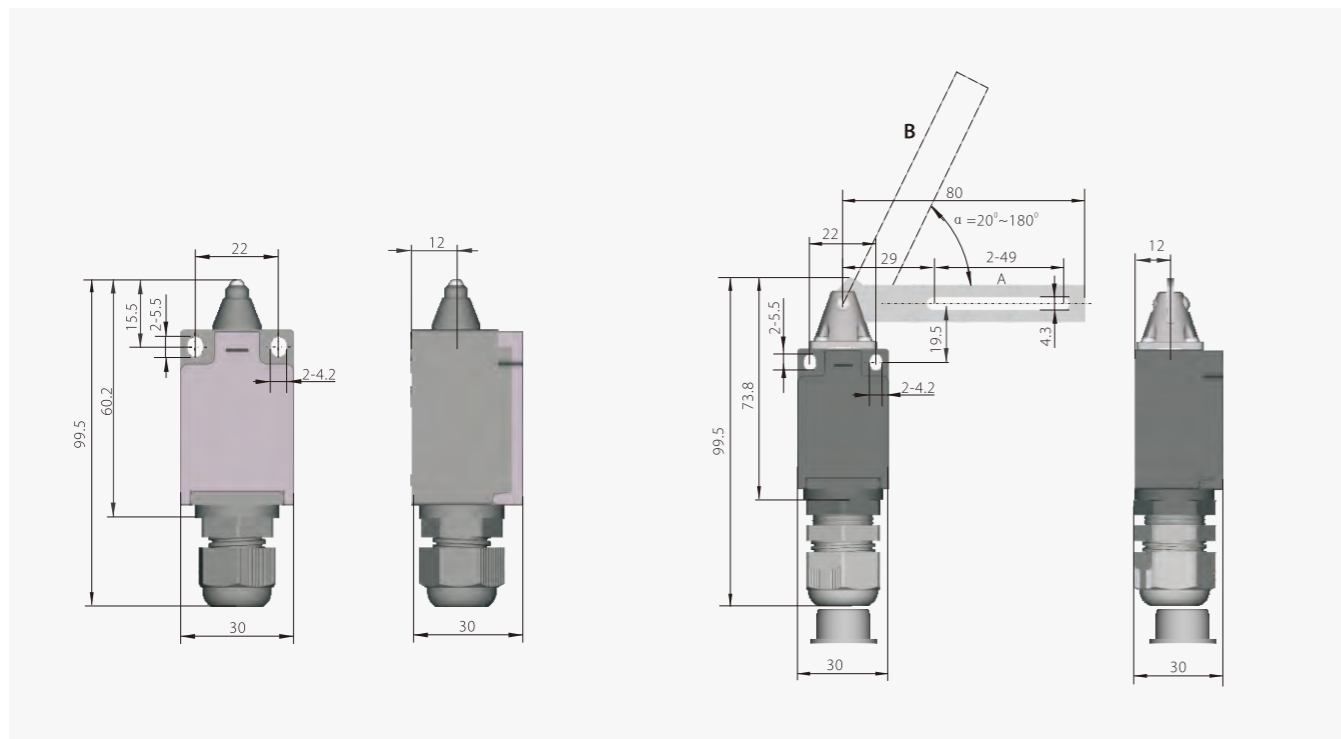
Head Direction 头部方向	Key 钥匙	Function 功能	Functional status schemes 功能状态示意图	Cable gland 拉不脱
H1	K1 QKS7 	F1 QKS7, QKS7-6 QKS7-5, QKS7-7 QKS7-10		M16 M20 If no cable gland, dust-proof plug can be choosed (无拉不脱时,可选防尘塞)
H2	K2 QKS7 			
H3	K3 QKS7-6 			
H4	K4 Without KEY 不带钥匙	F2 QKS7-9		
H5				
H6		F3 QKS7-8, QKS7-11		
H7				

Reference Dimension 参考尺寸

QKS7-5 QKS7-7 QKS7-8



QKS7-9 QKS7-10 QKS7-11



Key
钥匙



Dust resistance cover
防尘罩

QKS2



Description 描述

The QKS2 safety door switches have a disconnect-type of control key. This kind of safety switch has the following functions:

- When the safety door is open, equipment will not have any dangerous movement.
- If the safety door is open during operation, the equipment will stop all dangerous movement.
- When the safety door is closed, equipment movement will not be directly activated.

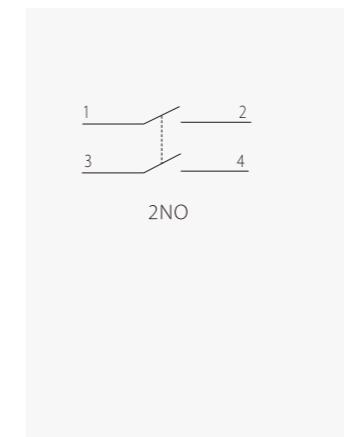
QKS2系列安全门开关，具有一个分离式的操纵钥匙，使用安全门开关能实现以下功能：

- 安全防护门打开时，确保机器设备不会产生危险动作。
- 在机械设备运行过程中，如果将安全防护门打开，确保机械设备的危险动作停止下来。
- 关闭安全防护门时，不会直接启动机械设备的危险动作。

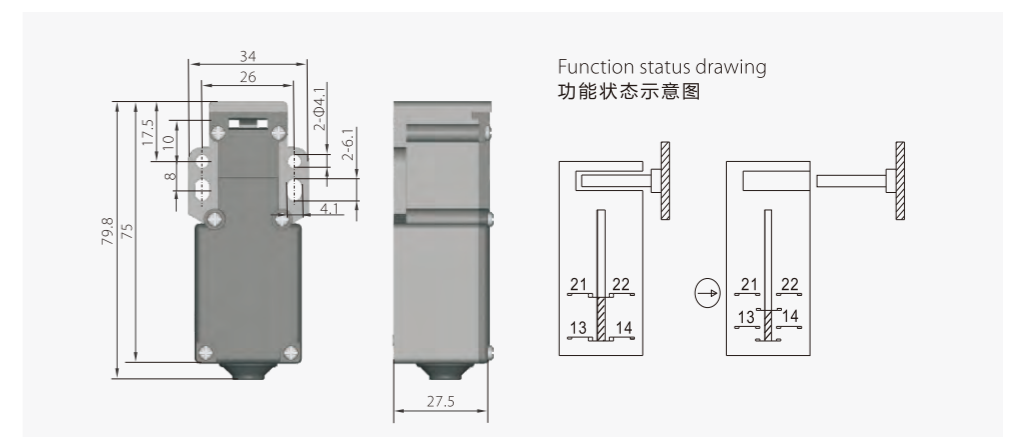
Specifications 参数

Standard 标准	TUV EN60947	
Rated Voltage 额定电压	250V~	400V~
Rated Current 额定电流	12A,13A(AC-15)	8A(AC-15)
Protection 防护等级	IP20	
Poles 极数	Double Pole(双极)	
Terminals 端子	Screw(螺钉)	
Number of Operating Cycles 操作循环次数	5E4	

Function 功能



Reference Dimension 参考尺寸



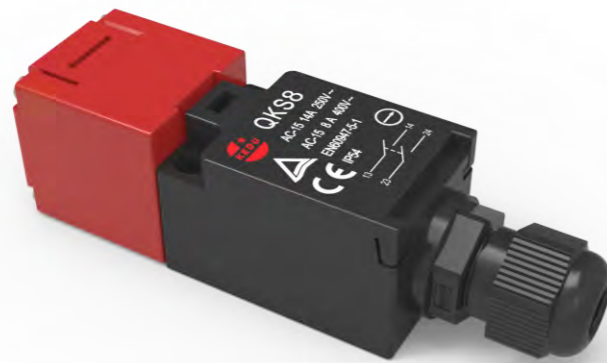
QKS8 Safety Interlocking Switch

QKS8 安全互锁开关



QKS8 Safety Interlocking Switch

QKS8 安全互锁开关



QKS8

Description 描述

The QKS8 safety door switches have a disconnect-type of control key. This kind of safety switch has the following functions:

- When the safety is door open, equipment will not have any dangerous movement.
- If the safety door is open during operation, the equipment will stop all dangerous movement.
- When the safety door is closed, equipment movement will not be directly activated.

QKS8系列安全门开关，具有一个分离式的操纵钥匙，使用安全门开关能实现以下功能：

- 安全防护门打开时，确保机器设备不会产生危险动作。
- 在机械设备动行过程中，如果将安全防护门打开，确保机械设备的危险动作停止下来。
- 关闭安全防护门时，不会直接启动机械设备的危险动作。

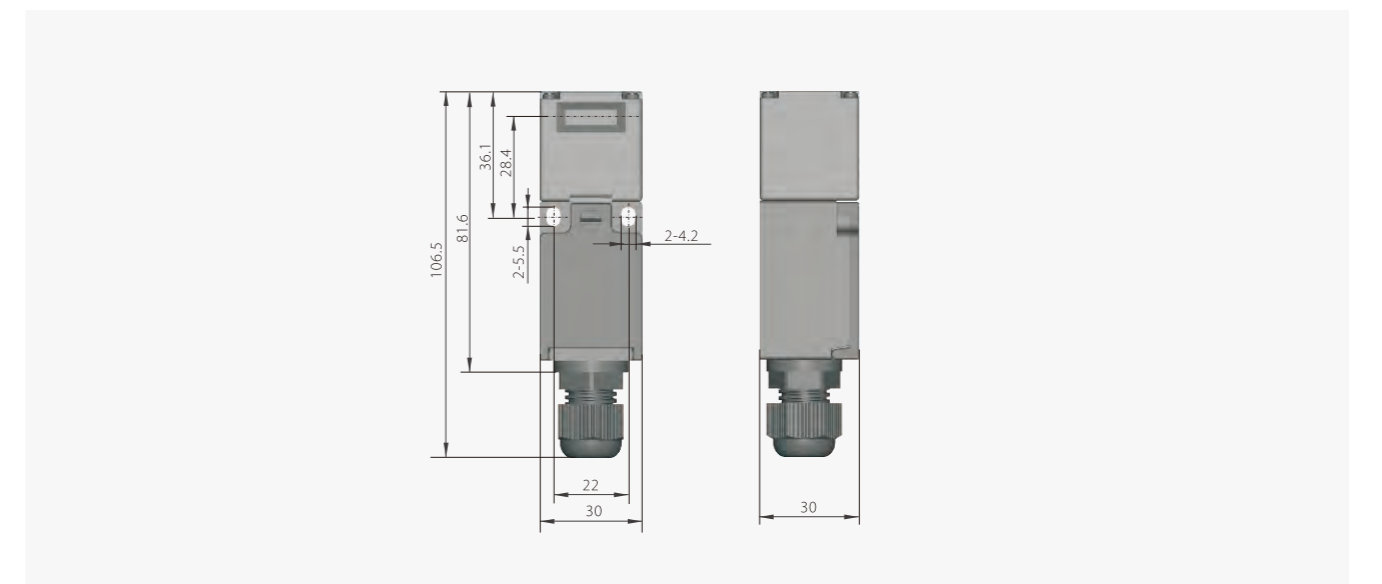
Specifications 参数

Standard 标准	TUV(EN60947)	
Rated Voltage 额定电压	250V~	400V~
Rated Current 额定电流	12A,14A(AC-15)	8A(AC-15)
Protection 防护等级	IP54	
Poles 极数	Double Pole(双极)	
Terminals 端子	Screw(螺钉)	
Number of Operating Cycles 操作循环次数	5E4	

Order options 订货选项

Appearance 外形图	Function 功能	Function status drawing 功能状态示意图	Key 钥匙	Cable gland 拉不脱
QKS8 	F1 		K1 	M16 M20
	F2 		K2 	
	F3 		K3 	

Reference Dimension 参考尺寸





QKS9

Safety limited switch
安全限位开关

QKS9B

Safety interlock switch
安全互锁开关

Description 描述

The QKS9 safety door switches have a disconnect-type of control key, which can be replaced by the controlling part. This kind of safety switch has the following functions:

- When the safety is door open, equipment will not have any dangerous movement.
- If the safety door is open during operation, the equipment will stop all dangerous movement.
- When the safety door is closed, equipment movement will not be directly activated.


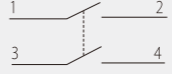
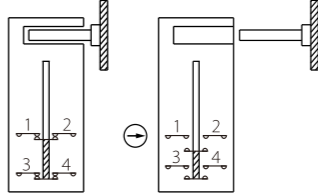




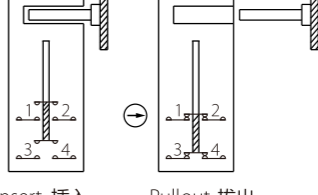
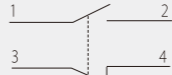
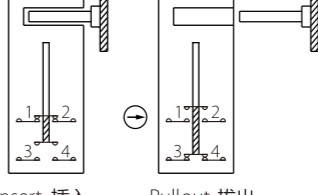
QKS9系列安全门开关，具有一个分离式的操纵钥匙(可以不带，用客户自己机器上的操纵部件代替)，使用安全门开关能实现以下功能：

- 安全防护门打开时，确保机器设备不会产生危险动作。
- 在机械设备动行过程中，如果将安全防护门打开，确保机械设备的危险动作停止下来。
- 关闭安全防护门时，不会直接启动机械设备的危险动作。

Specifications 参数

Standard 标准	TUV(EN60947)	
Rated Voltage 额定电压	250V~	400V~
Rated Current 额定电流	6A(AC-15)	6A(AC-15)
Protection 防护等级	IP54	
Poles 极数	Double Pole(双极)	
Terminals 端子	Screw(螺钉)	

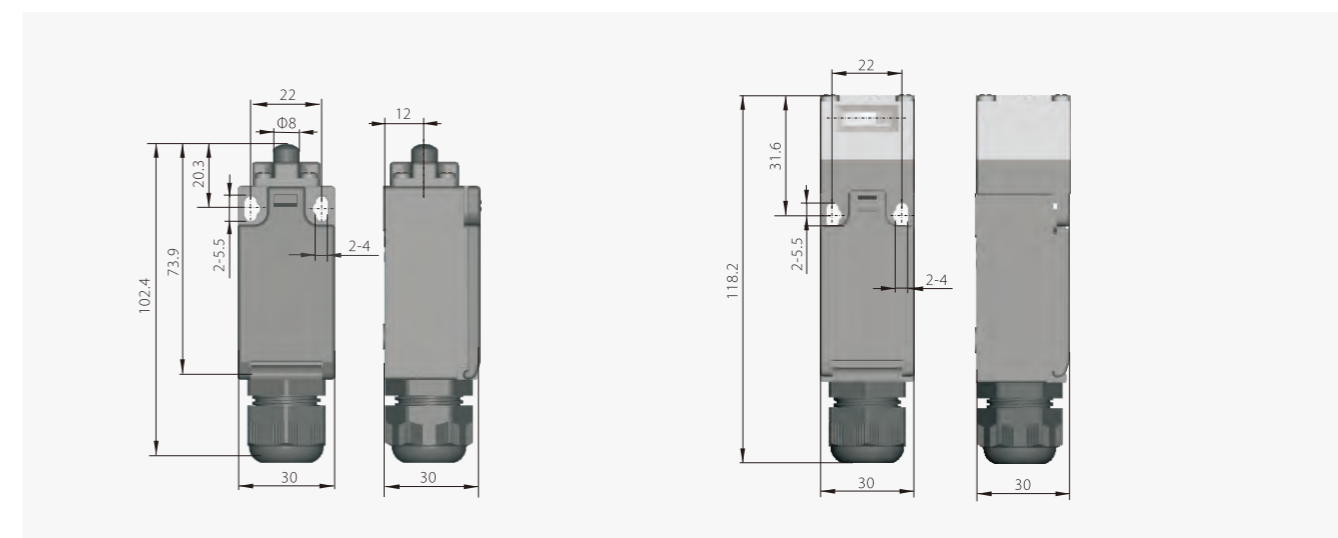
Order options 订货选项

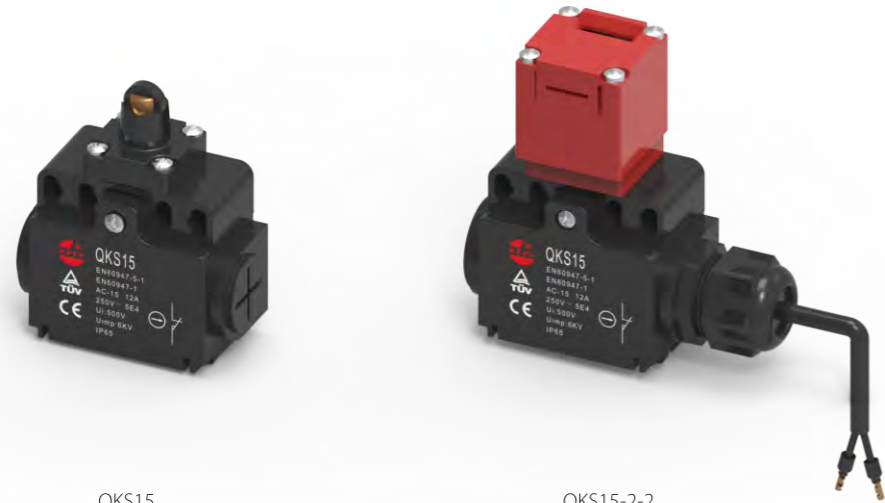
Appearance 外形图	Function 功能	Function status drawing 功能状态示意图	Key 钥匙	Cable gland 拉不脱
	F1  QKS9-2, QKS9B-2	 Insert 插入 Pullout 拔出	K1  K2  K3 	M16 M20
	F2  QKS9-3, QKS9B-3	 Insert 插入 Pullout 拔出		
	F3  QKS9B	 Insert 插入 Pullout 拔出		

Reference Dimension 参考尺寸

QKS9 QKS9-2 QKS9-3

QKS9B QKS9B-2 QKS9B-3





QKS15
Safety limited switch
安全限位开关

QKS15-2-2
Safety interlock switch
安全互锁开关

Order options 订货选项

Appearance 外形图	Function 功能	Function status drawing 功能状态示意图	Key 钥匙	Cable gland 拉不脱
	 1NC+1NO	 Insert 插入 Pull out 拔出	<p>K1</p> <p>K2</p> <p>K3</p>	<p>M16</p> <p>M20</p>

Description 描述

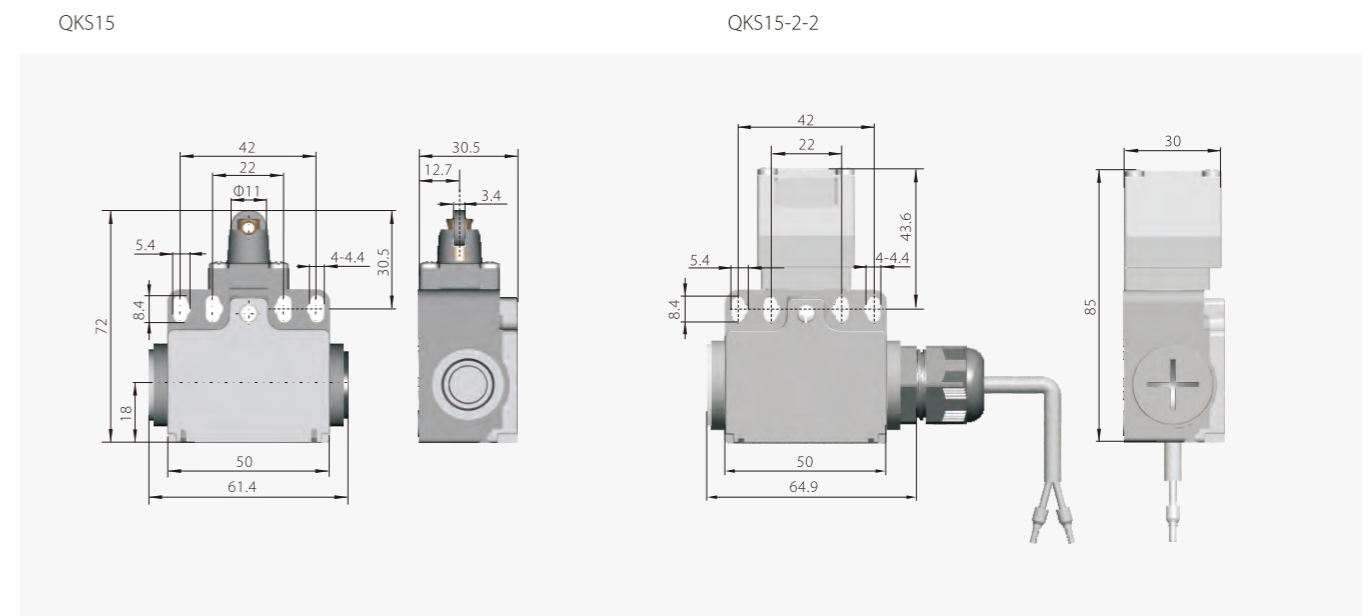
This safety limited switch can be used as a small current electric command device. It is widely used in machines and hoisting machinery. Any collision of moving mechanical components causes the connecting or cutting of the electrical circuit, which makes the machinery movement stop in a certain position, travel a specified distance, converse movement, speeding movement or auto to-and-fro movement.

安全限位开关常用作小电流主令电器，广泛用于各类机床和起重机械等，利用生产机械运动部件碰撞使其接通或分断电路，使运动机械按一定位置或行程自动停止，反向运动，变速运动或自动往返运动等。

Specifications 参数

Standard 标准	EN60947-5-1
Rated Voltage 额定电压	250V~
Rated Current 额定电流	12A (AC-15) 15A (AC-3) (For QKS15-3)
Degree of Protection 防护等级	IP65
Number of operating cycles 操作循环次数	5E4

Reference Dimension 参考尺寸



Terminal & Cable Gland

端子和拉不脱



Terminal & Cable Gland

端子和拉不脱

Terminal 端子

TY-01-03 6.3单线直插片 (带钩) 6.3Single vertical male terminal(Barb)	TY-01-04 6.3双层直插片 6.3Double vertical male terminal	TY-01-05 6.3单线加长直插片 (带钩) 6.3Single length vertical male terminal(Barb)	TY-02-12 6.3双线横插套 6.3Double horizontal fastener
TY-02-01 2.8直插套 (不带钩) 2.8Vertical fastener(Without Barb)	TY-02-14 2.8直插套 (带钩) 2.8Vertical fastener(With Barb)	TY-02-05 4.8双线直插套 4.8Double vertical fastener	TY-02-11 6.3双线直插套 6.3Double vertical fastener
TY-02-08 6.3单线直插套 (不带钩) 6.3Single vertical fastener(Without Barb)	TY-02-15 6.3单线直插套 (带钩) 6.3Single vertical Fastener(Barb)	TY-02-09 6.3单线直插套 (带钩) 6.3Single vertical fastener(With Barb)	TY-02-03 4.8单线直插套 4.8Single vertical fastener
TY-02-07 6.3单线横插套 6.3Single horizontal fastener	TY-02-10 6.3单线横插套 6.3Short single horizontal fastener	TY-02-02 4.5单线圆筒直插套 4.5Single cylinder vertical fastener	TY-06-14 4.5插套 4.5Fastener
TY-03-11 6.3单线直护套 (带钩) 6.3Single sheath(Barb)	TY-03-13 6.3双线直护套PVC (硬) 6.3Double sheath PVC(hard)	TY-03-02 2.8直护套PVC (硬) (0.8厚) 2.8Vertical sheath PVC(Hard) (0.8deep)	TY-03-10 6.3单线直护套PVC (硬) 6.3Single sheath PVC(Hard)
TY-03-01 2.8直护套 2.8Vertical cap	TY-03-04 4.8单线直护套 4.8Single Vertical cap	TY-03-09 6.3单线直护套 6.3Single Vertical cap	TY-03-12 6.3双线直护套 6.3Double Vertical cap
















TY-06-09 φ2圆护套 φ2Round sheath	TY-06-10 φ3圆护套 φ3Round cap	TY-03-03 4.5单线圆筒直护套 4.5Single cylinder cap	TY-06-05 φ4圆护套 φ4Round cap
TY-03-08 6.3单线横护套 6.3Single horizontal cap	TY-03-14 6.3双线横护套 6.3Double horizontal cap	TY-03-16 6.3四线直护套 6.3Four fold sheath	
TY-06-02 φ4圆插端子 4Round terminal	TY-06-03 φ4.5圆插端子 4.5Round terminal	TY-04-01 铜包头 (1mm2线) Copper winding(1mm2fold)	TY-04-02 铜包头 (1.5mm2线) Copper winding(1.5mm2fold)
TY-09-01 φ3接线鼻 φ3Grounding tab	TY-06-07 φ4接地鼻 φ4Grounding tab	TY-06-08 φ5接线鼻 φ5Grounding tab	TY-06-11 U型端子 φ4 U Type terminal φ4
TY-06-12 U型端子 φ5 U Type terminal φ5	TY-06-13 U型端子 φ4.2 U Type terminal φ4.2		

Cable Gland 拉不脱

M20	M20	M20	M18	M16	M12	M16-2	M16-4

Emergency Stop Button

急停按钮

Suitable for switches 应用开关	Emergency Stop Button 急停按钮			
KJD12 KJD12-14 KJD13 KJD15 KJD18 KJD21 KJD22 HY32	 PL1	 PL12	 PL13	 PL14
	 PL16	 PL17	 PL18	
KJD17GF	 PL10	 PL15		
KOA1(New) KOA2(New) KOA3(New) KOA7(New) KOA8(New) KOA12 KOA15	 PL7-2	 PL11	 PL11-2	
KJD10 KOA11 KOA1(old) KOA2(old) KOA3(old) KOA7(old) KOA8(old)	 PL2	 PL6	 PL7	

For more details, please visit...

了解更多详细资料，敬请登陆



WWW.KEDU.CN