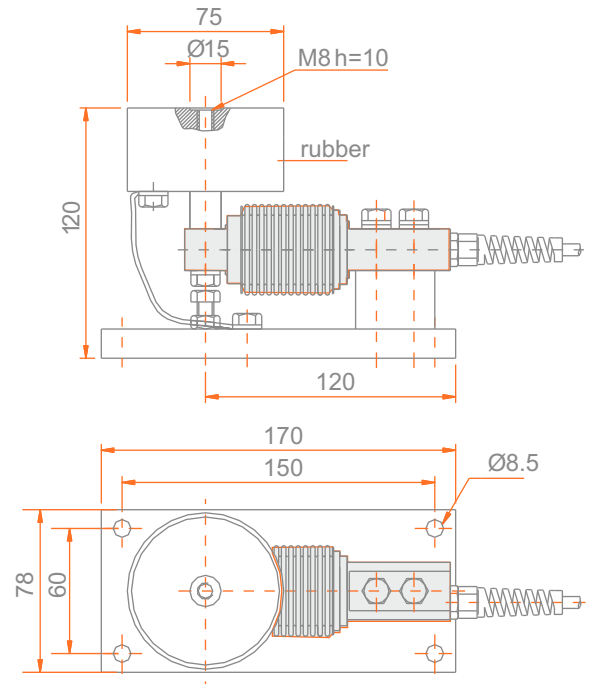
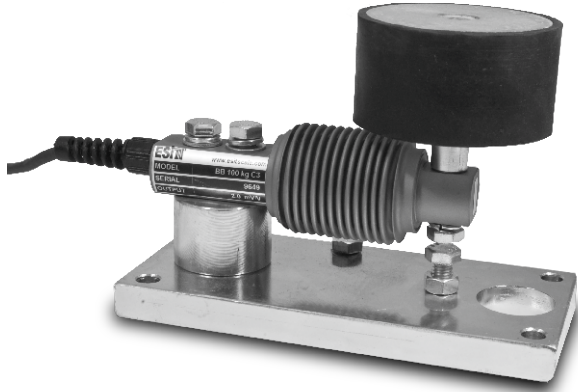


# Type BB-ELT



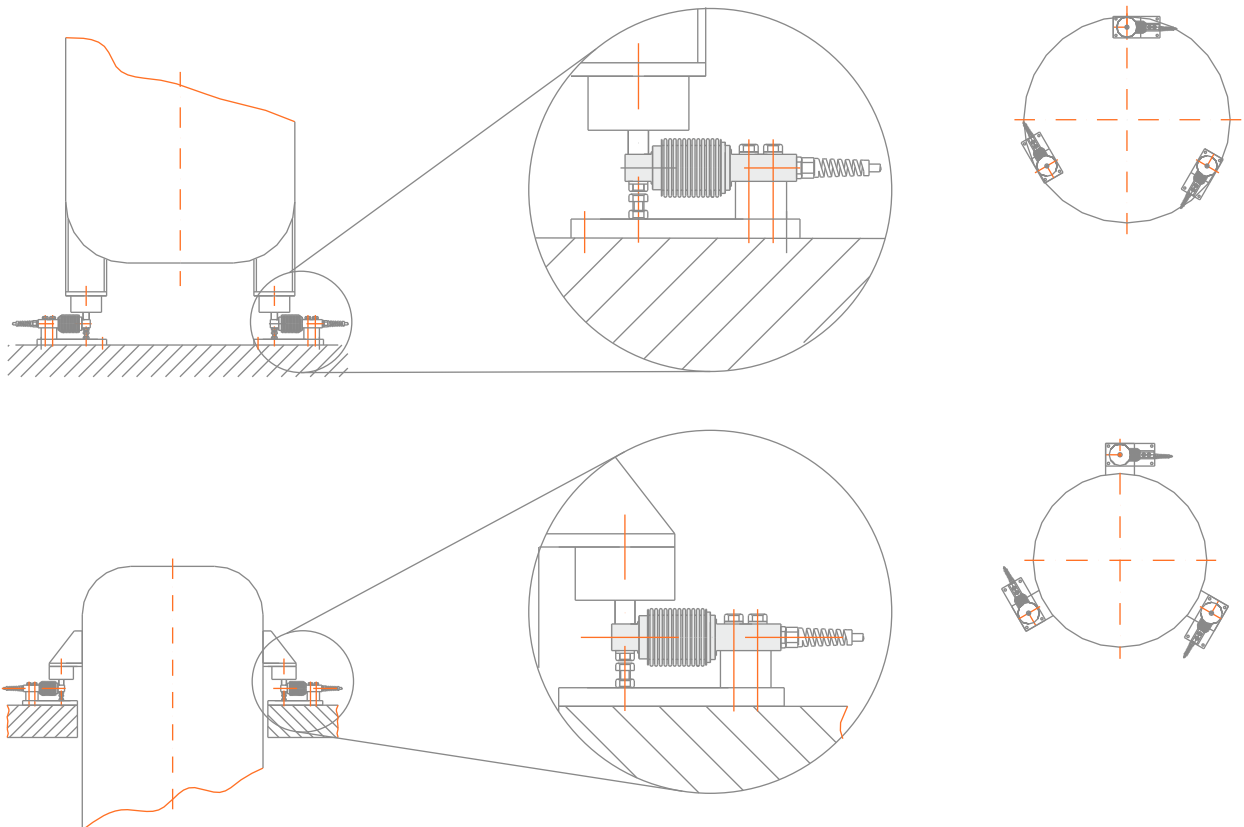
## Elastomer Mounting Kit

(All dimensions are expressed in millimeters)



- Eliminates problems arising from thermal expansion
- Protects the load cell against impact loads
- Protects the load cell against overloads by an overload protection bolt
- Protects the load cell against leakage currents with a grounding cable
- Maintains a stable measurement in weighing systems where vibrations and impact loads are present

## Application Graphic



Esit reserves the right to modify, without prior notice, the products in accordance with technological developments.

