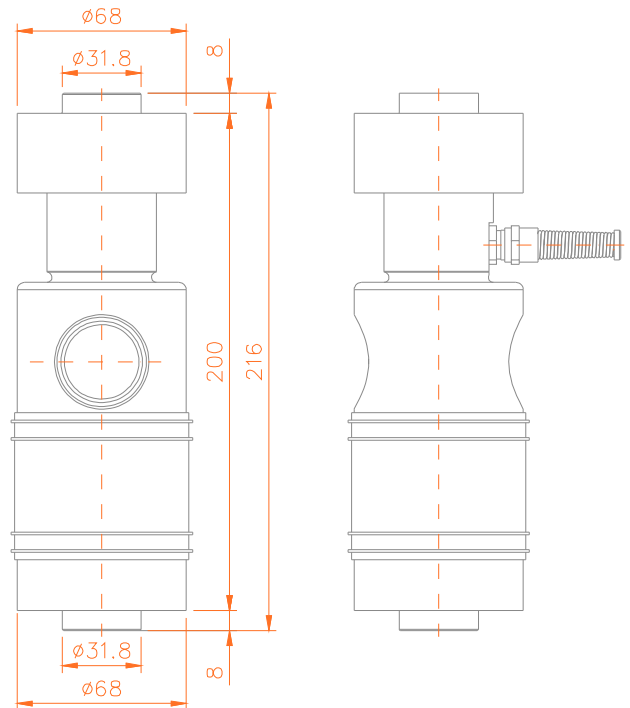


# Type CD-RM



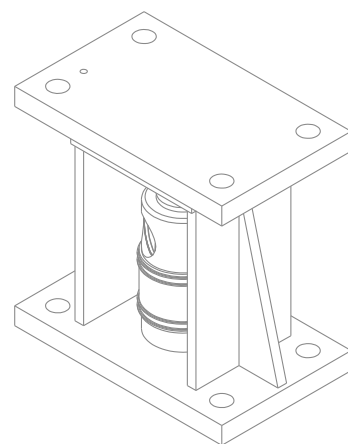
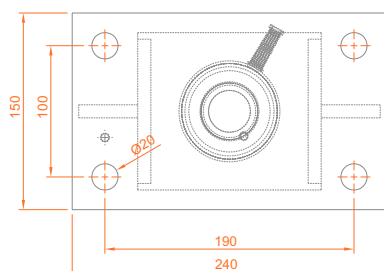
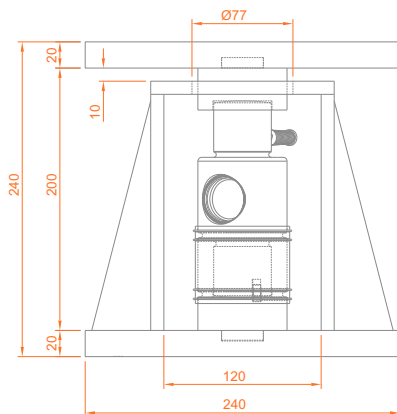
## Rocker Mounting Kit

(All dimensions are expressed in millimeters)



CD Mounting kits are used to protect truck scales, platform scales and industrial applications from the lateral loads. Minimize weighing errors resulting from deformation of weighing platform

## Application Graphic



Esit reserves the right to modify, without prior notice, the products in accordance with technological developments.