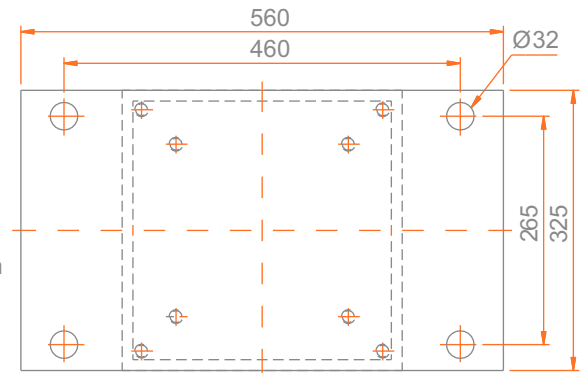
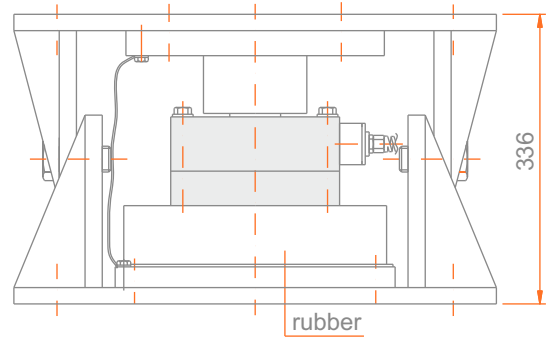
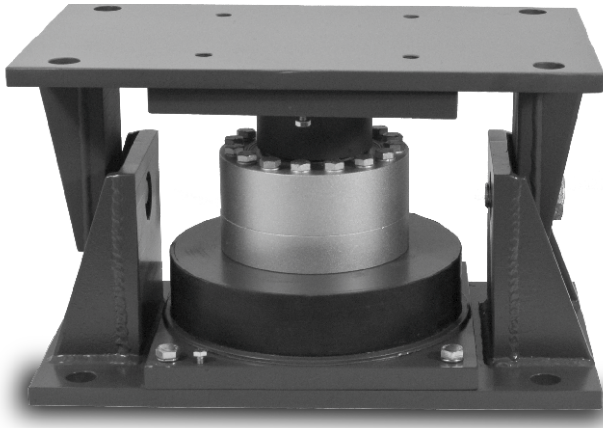
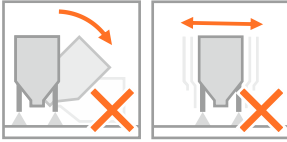


# Type HSC-ELT

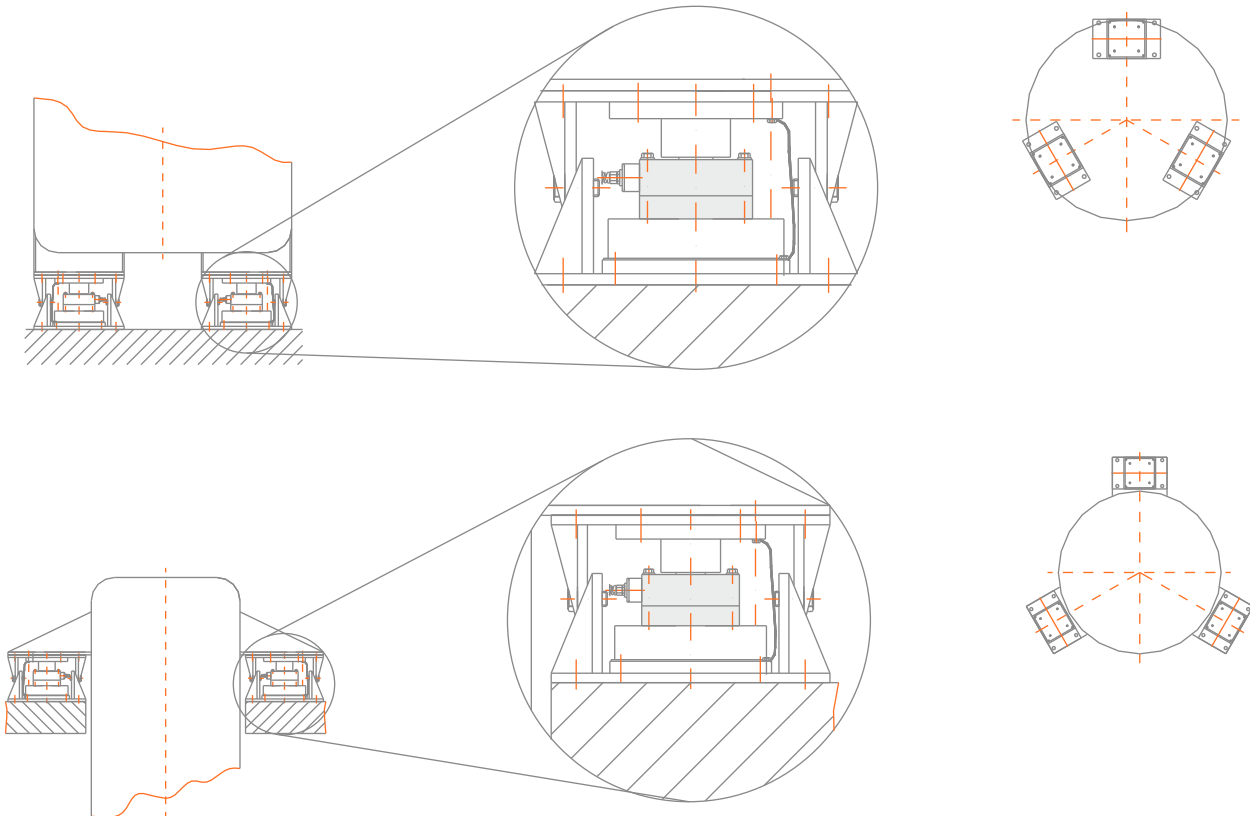
## Elastomer Tank Mounting Kit

(All dimensions are expressed in millimeters)



- Avoids toppling or displacement of the load with the ground fixing system
- Protects the load cell against side forces and impact loads
- Eliminates problems arising from thermal expansion
- Corrects off-center loads
- Protects the load cell against leakage currents with a grounding cable
- Maintains a stable measurement in weighing systems where vibrations and impact loads are present

## Application Graphic



Esit reserves the right to modify, without prior notice, the products in accordance with technological developments.