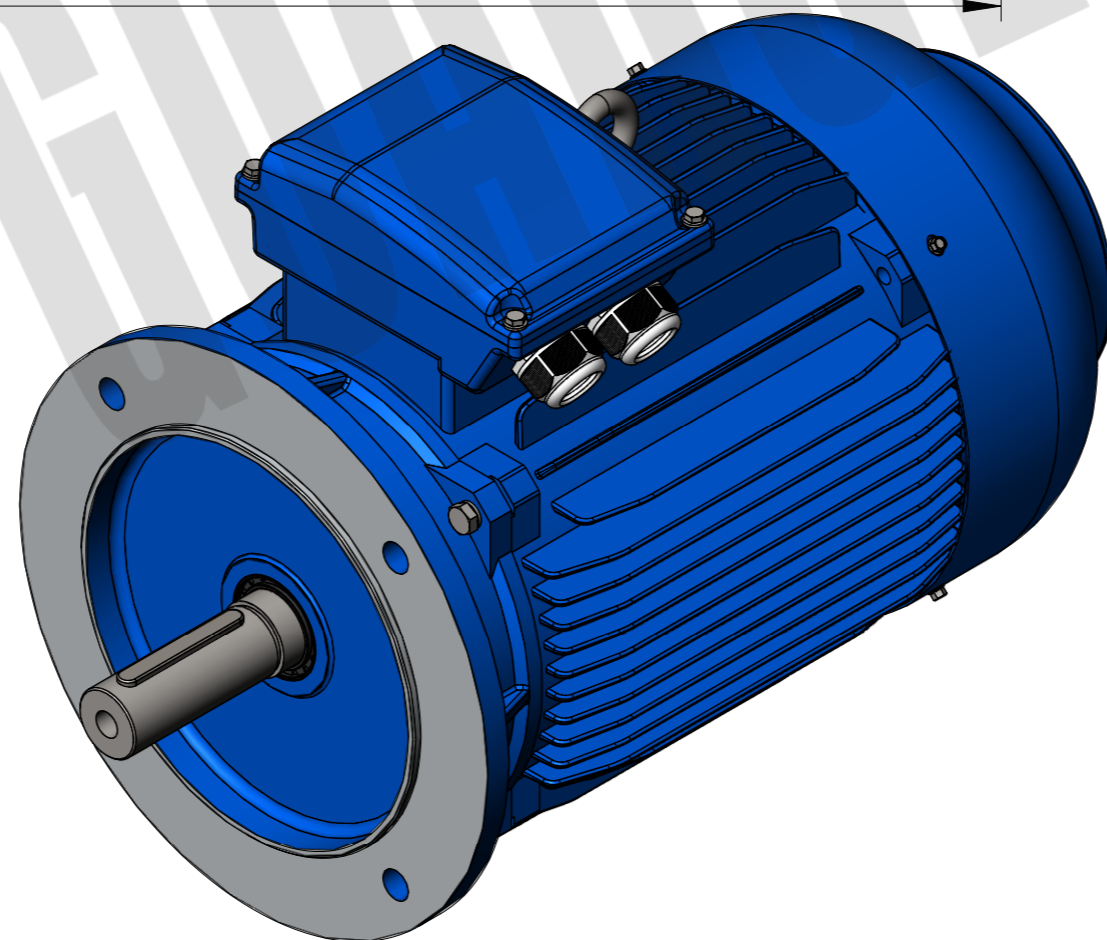
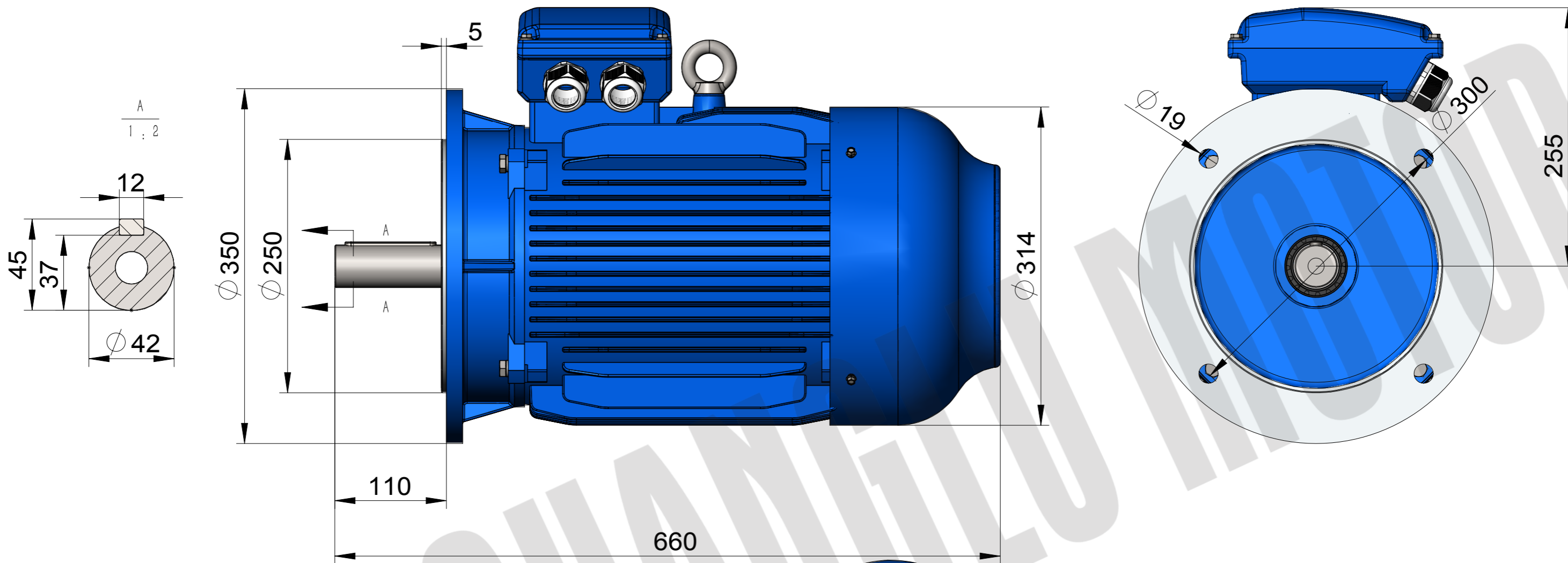
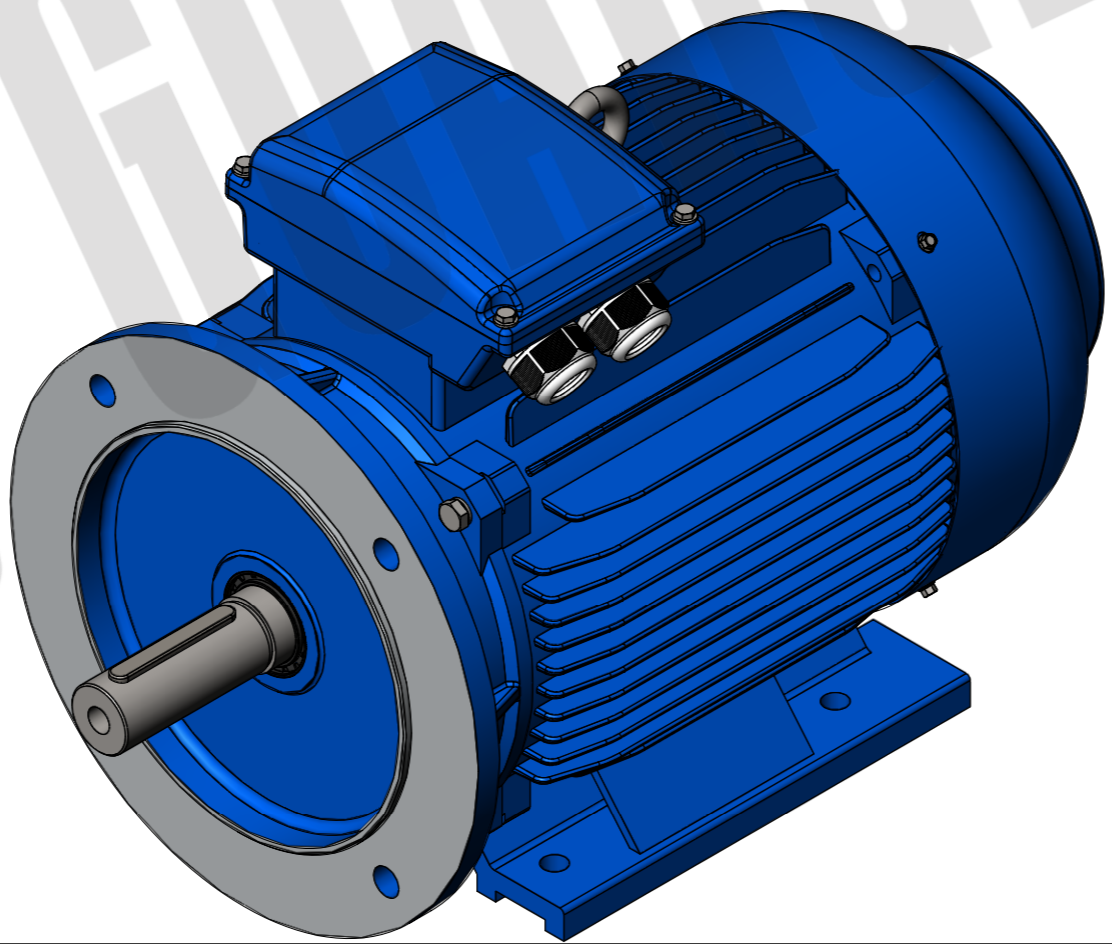
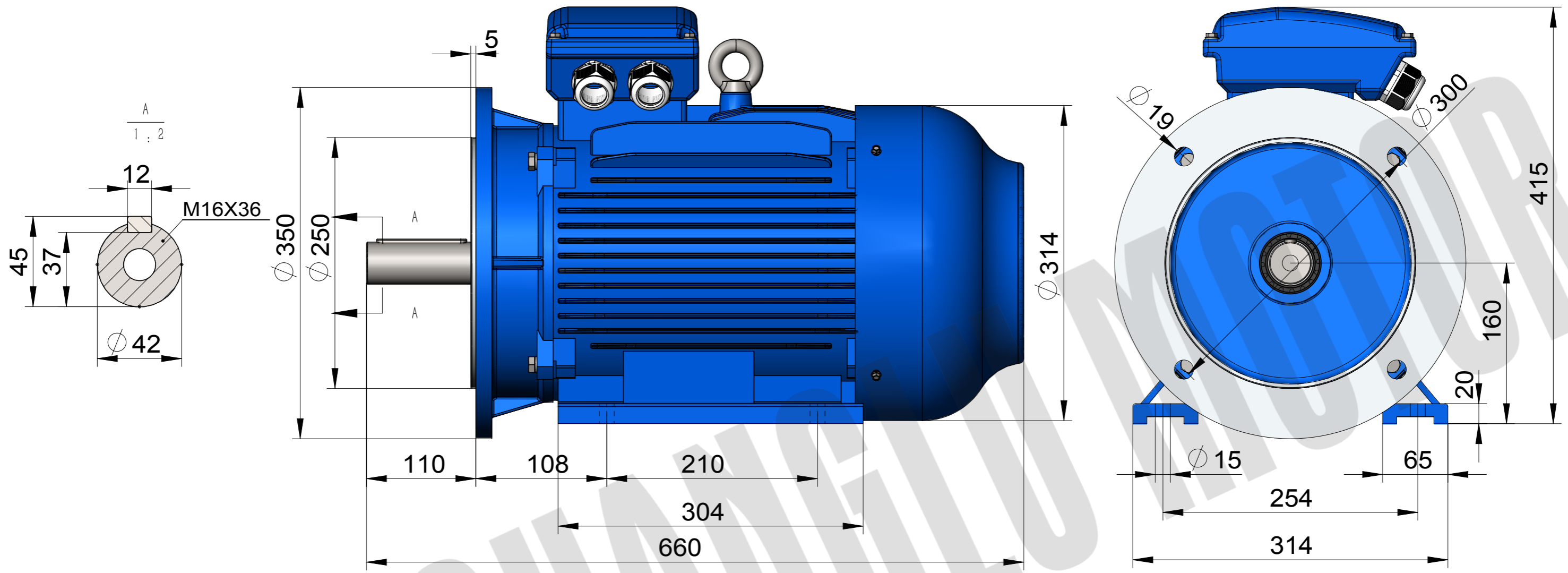


IE2-160L-B3
Mounting diagram



IE2-160L-B5
Mounting diagram



IE2-160L-B35
Mounting diagram