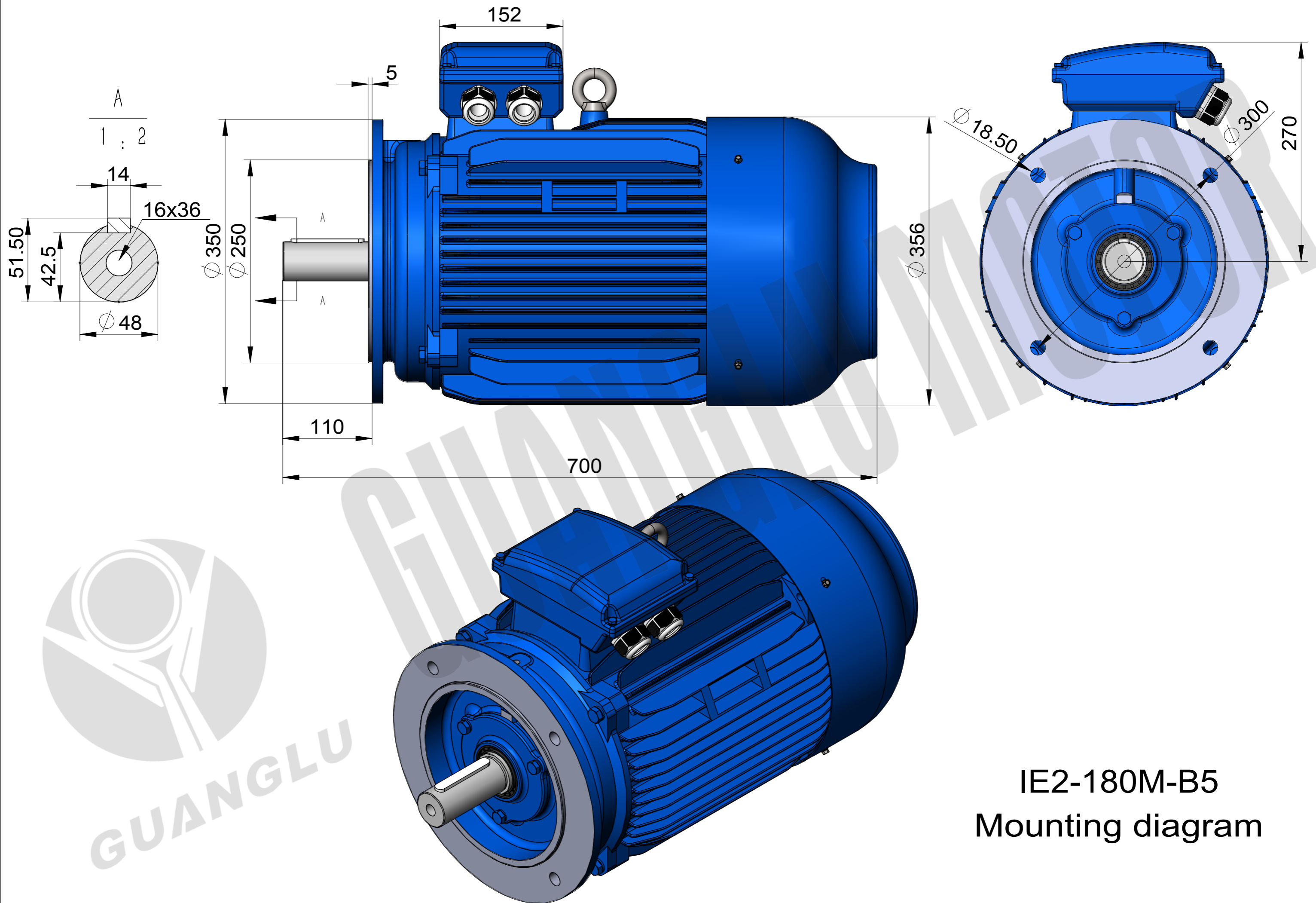
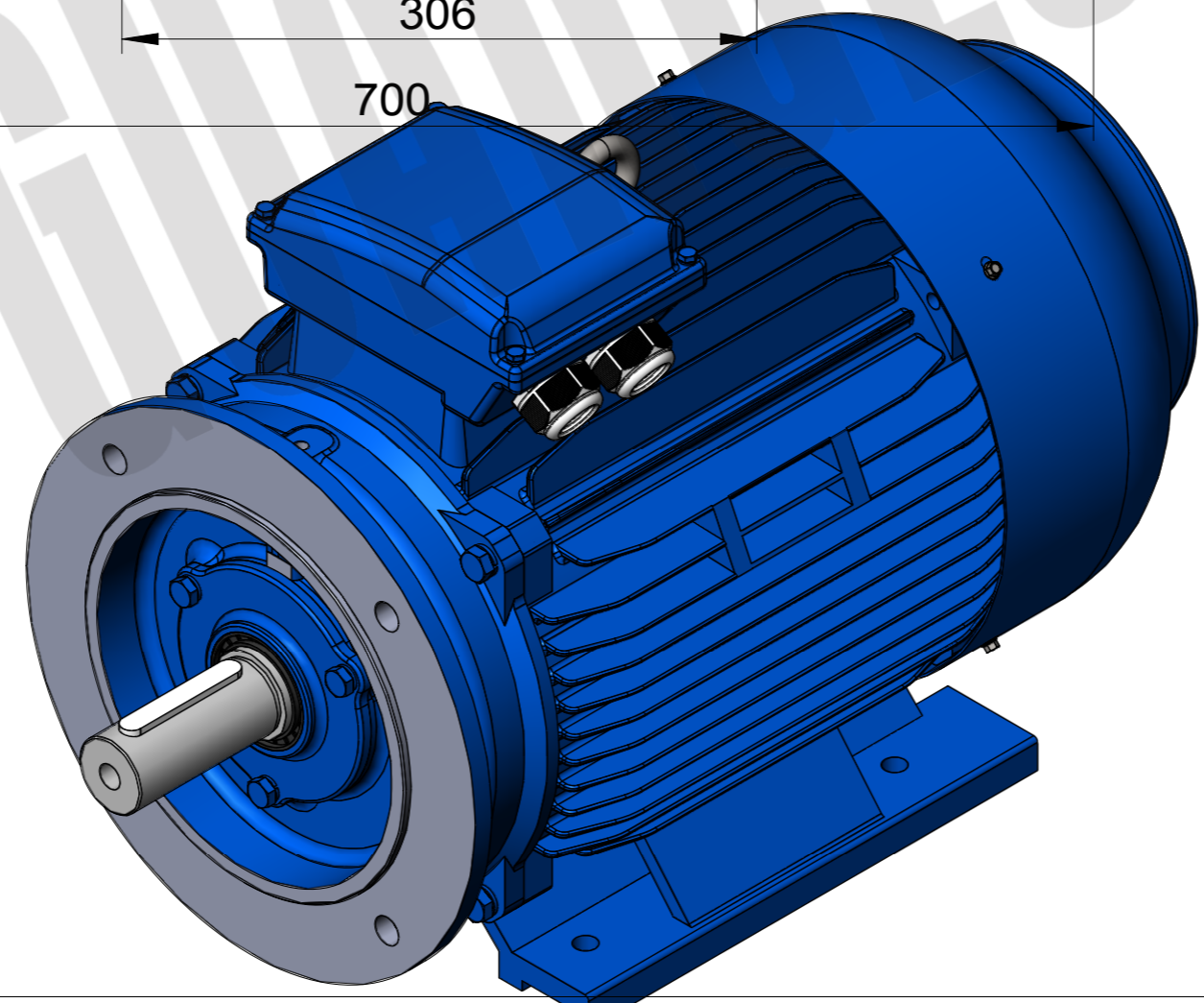
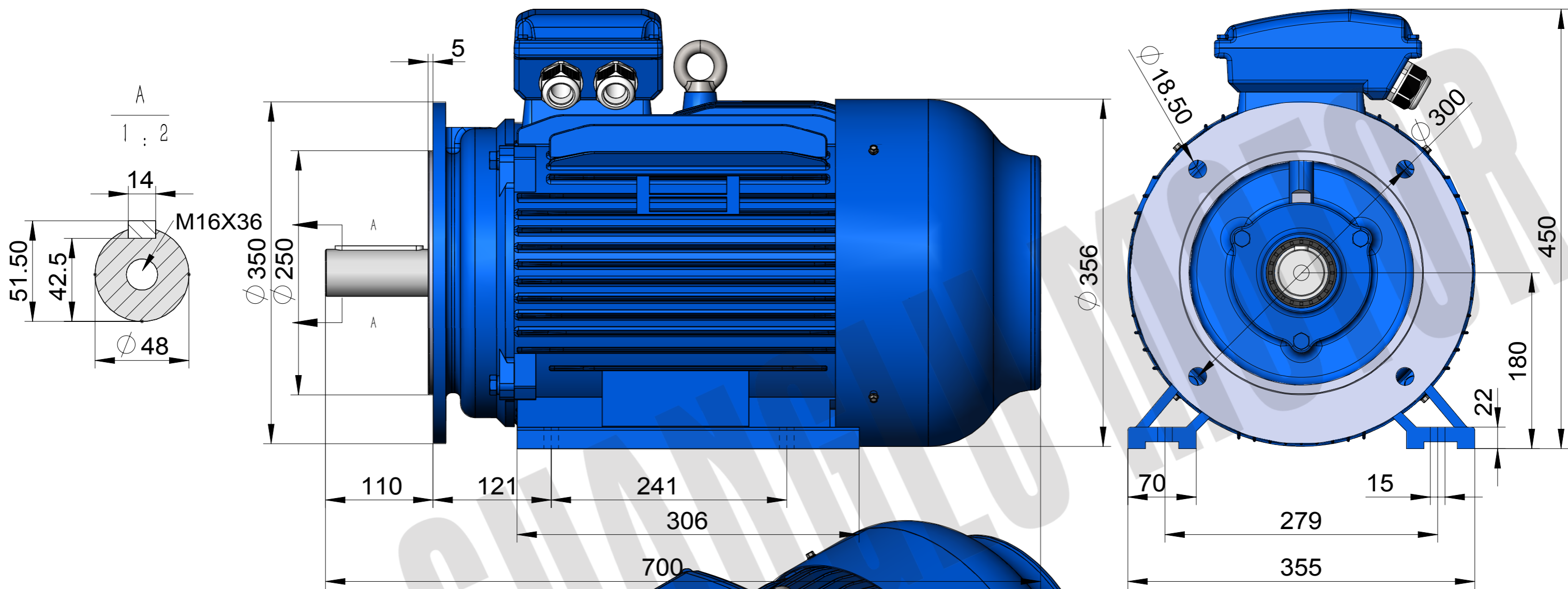


IE2-180M-B3
Mounting diagram



IE2-180M-B5
Mounting diagram



IE2-180M-B35
Mounting diagram

