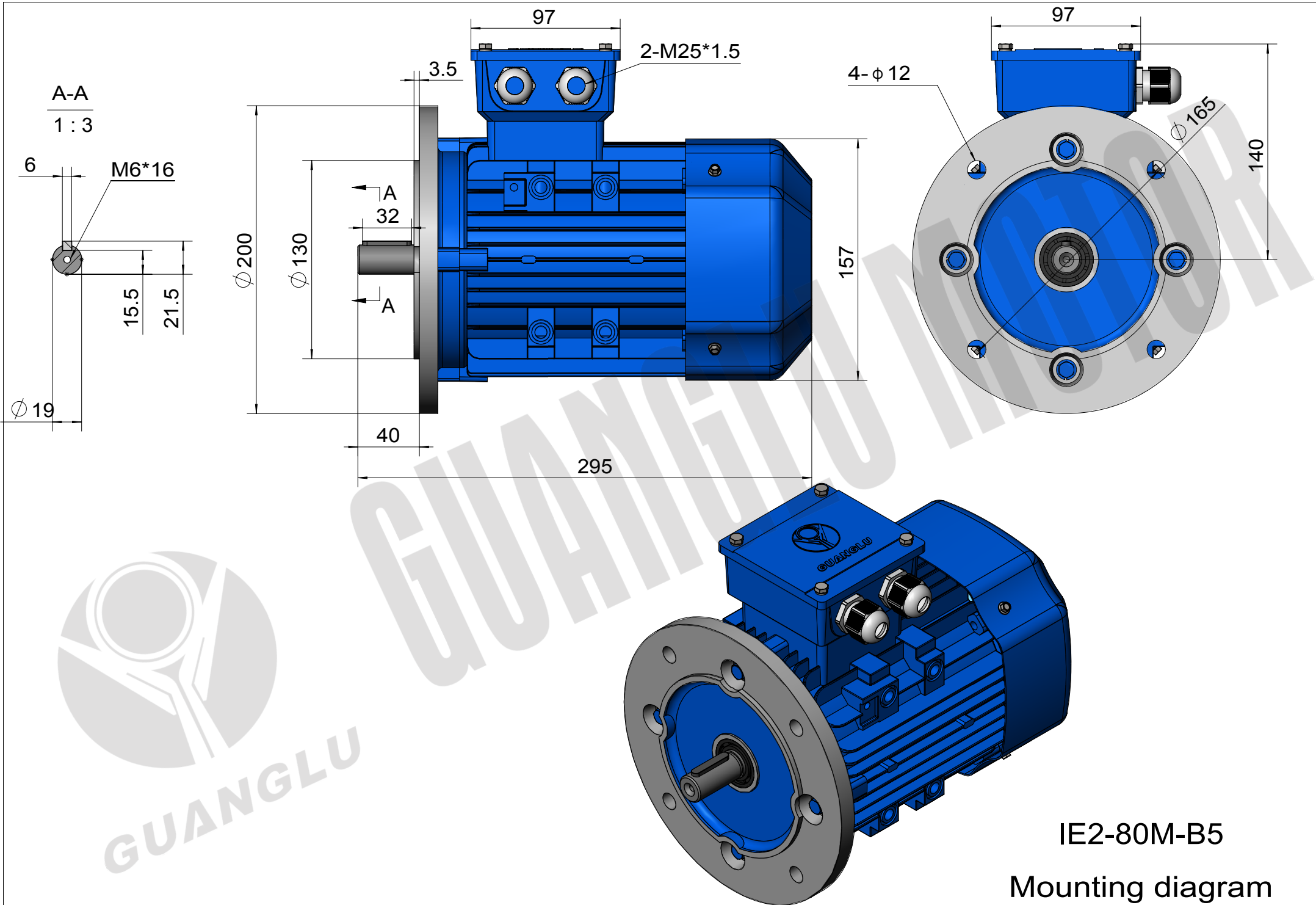
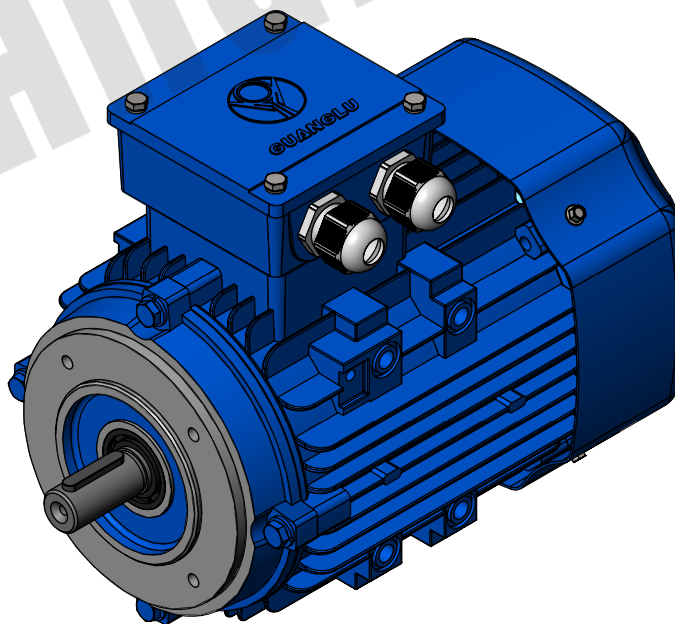
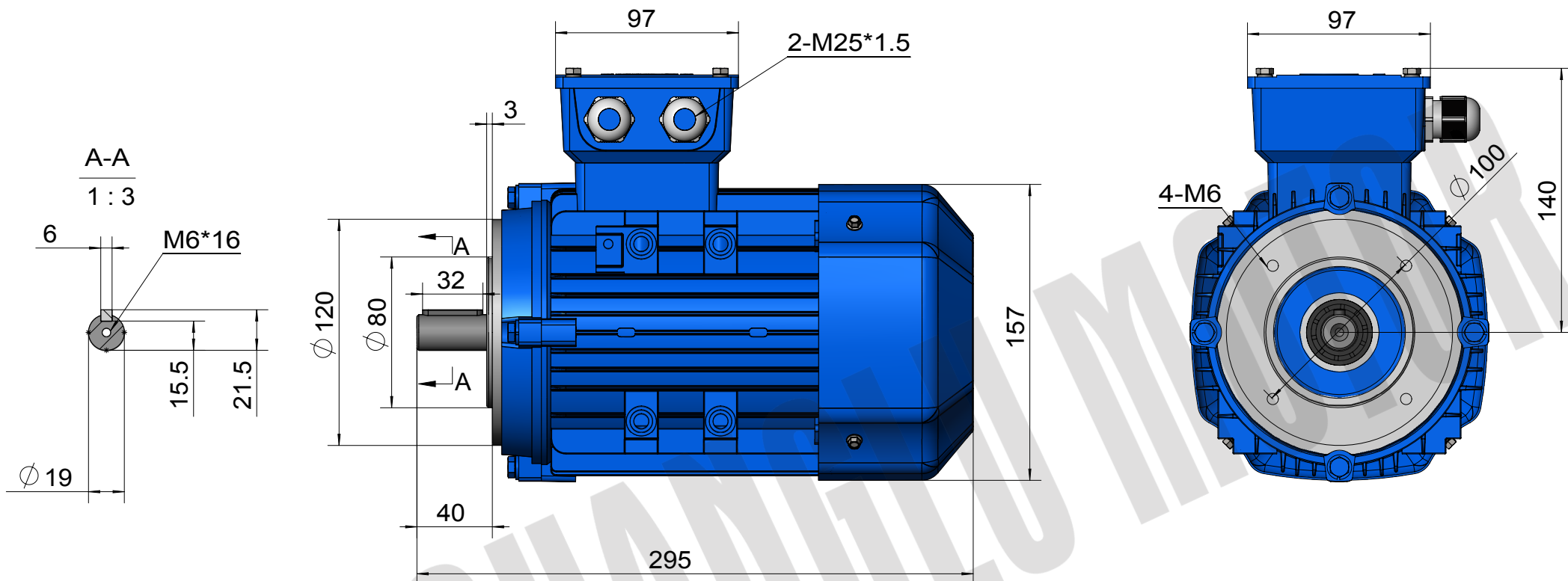


IE2-80M-B3

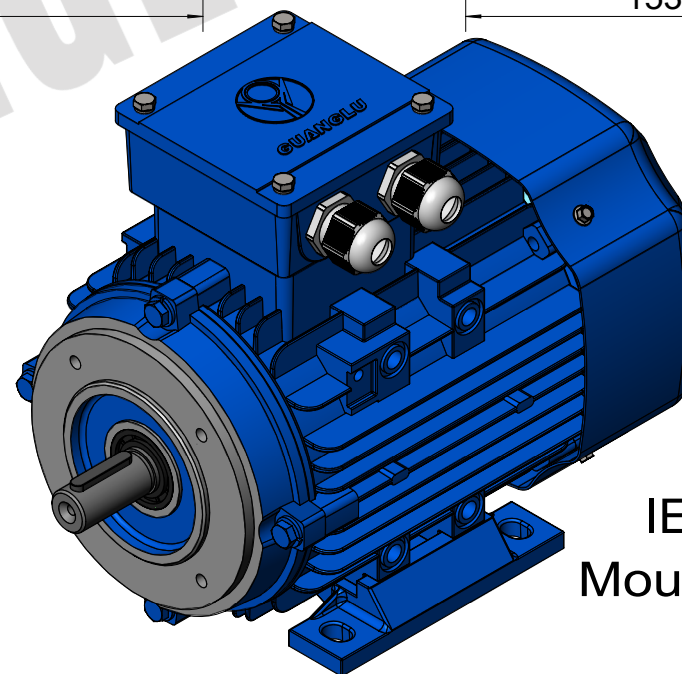
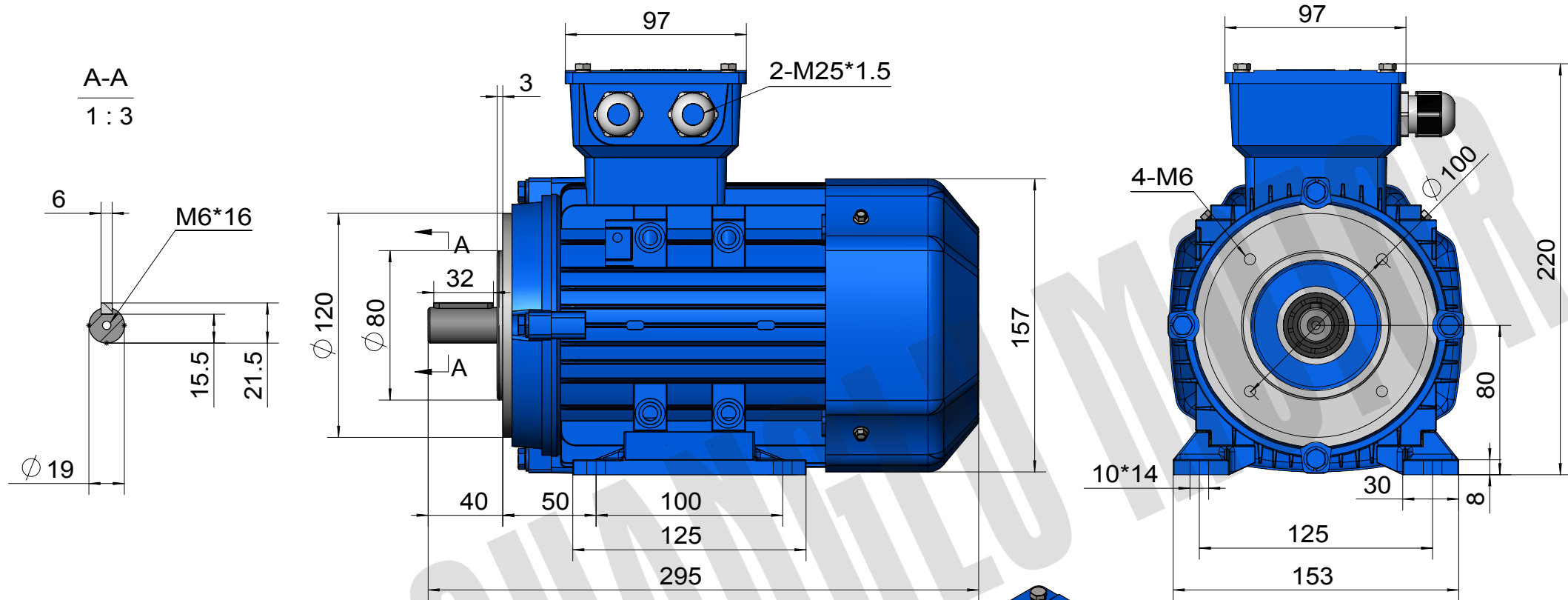
Mounting diagram



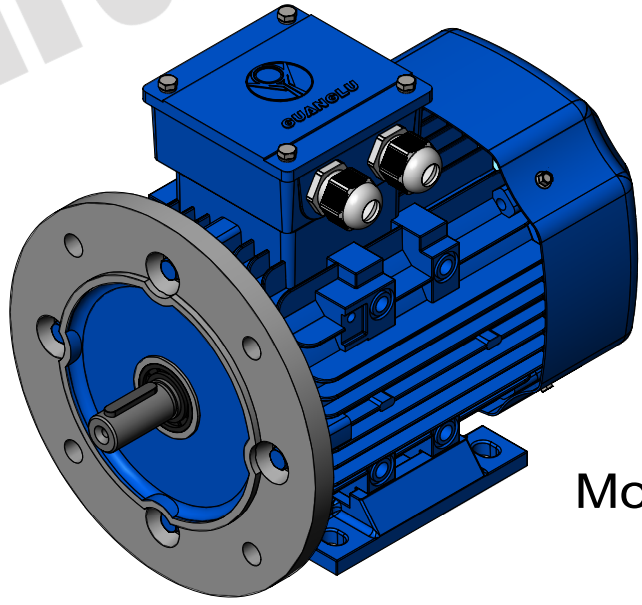
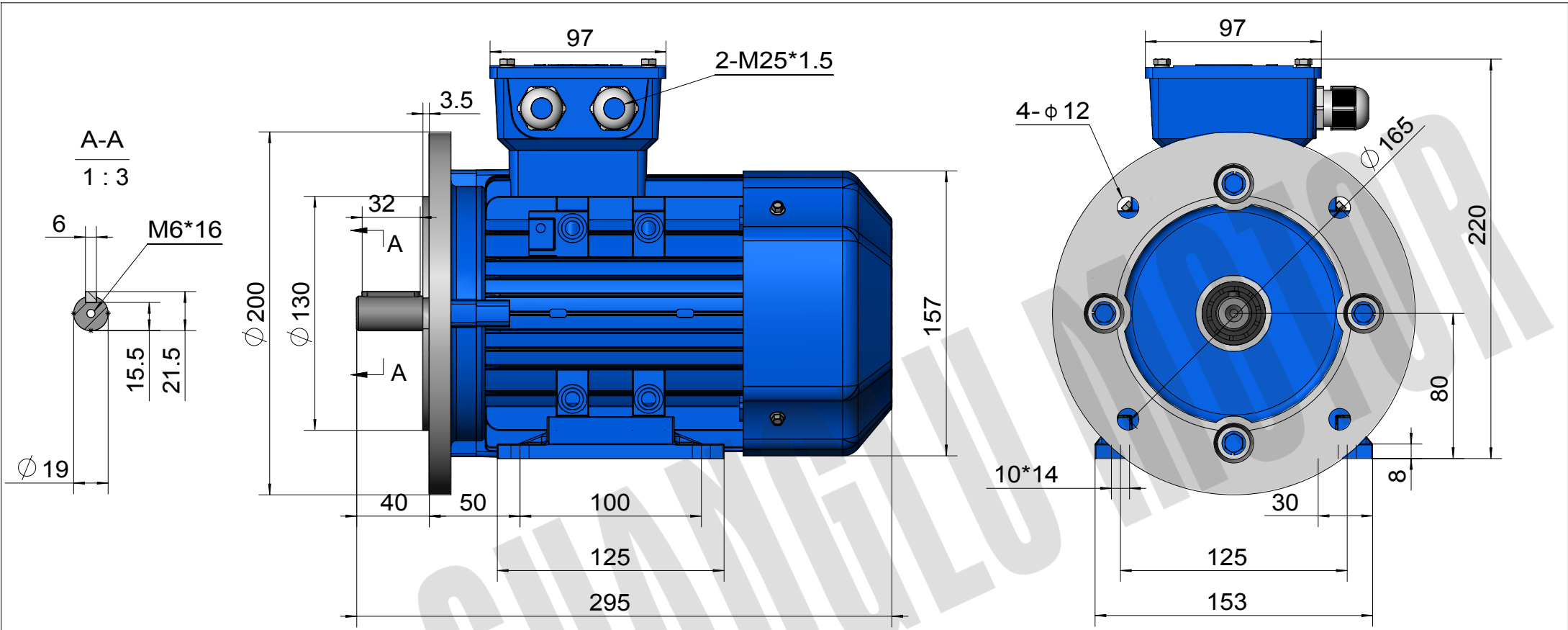


IE2-80M-B14

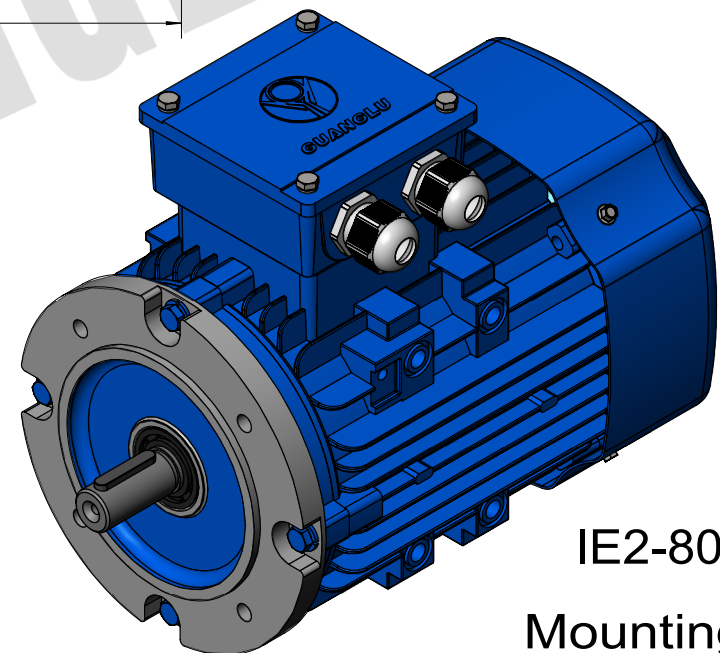
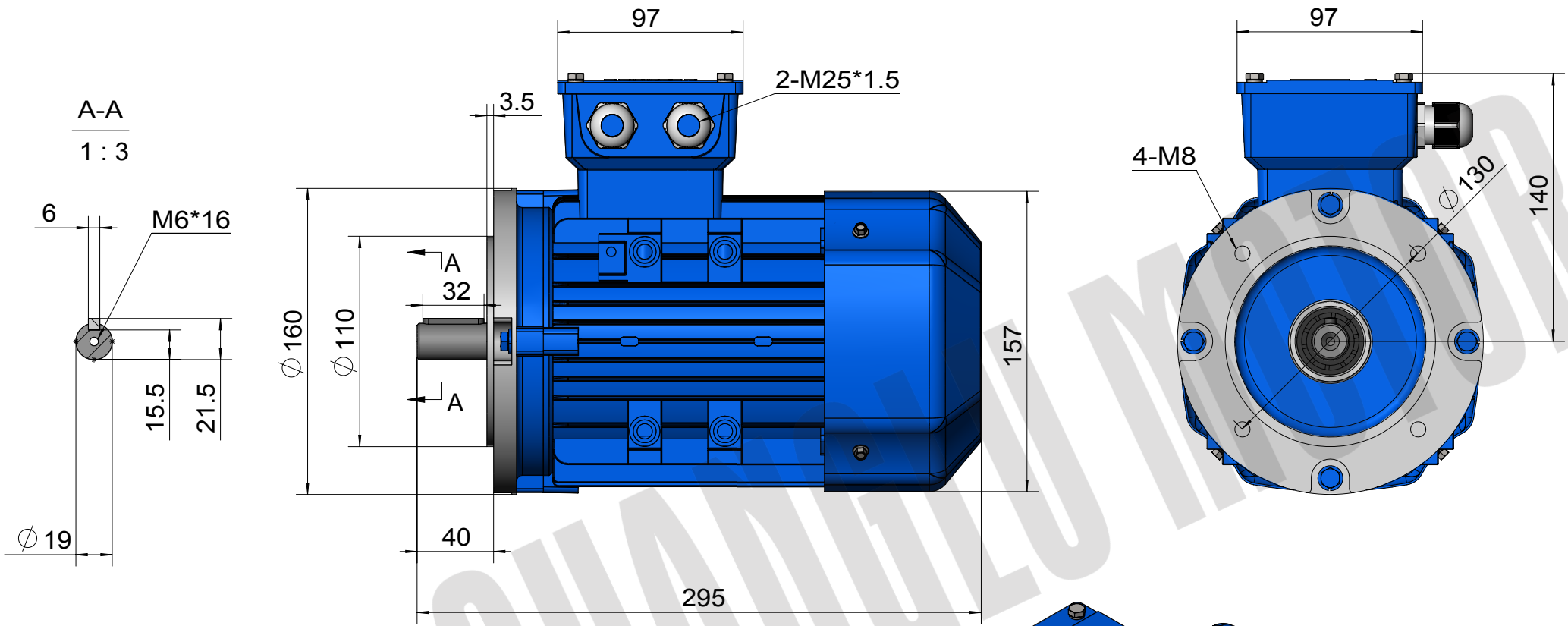
Mounting diagram



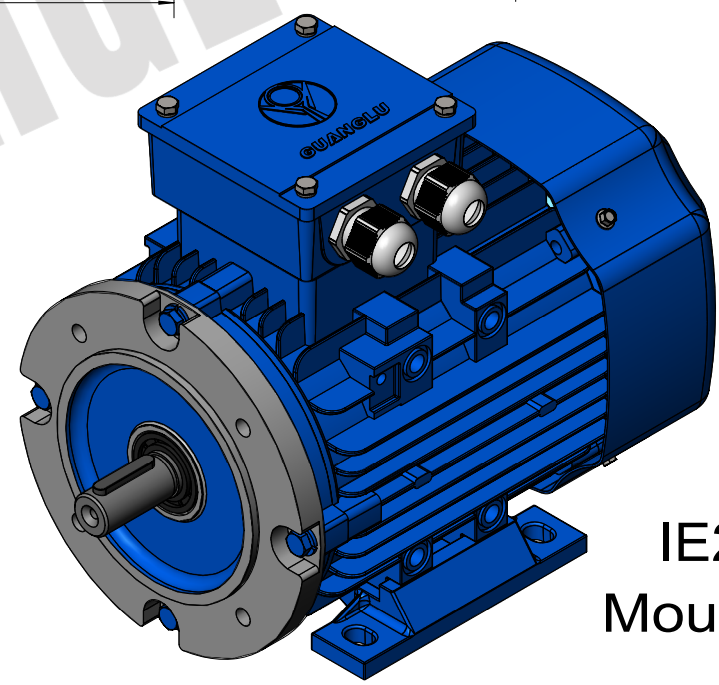
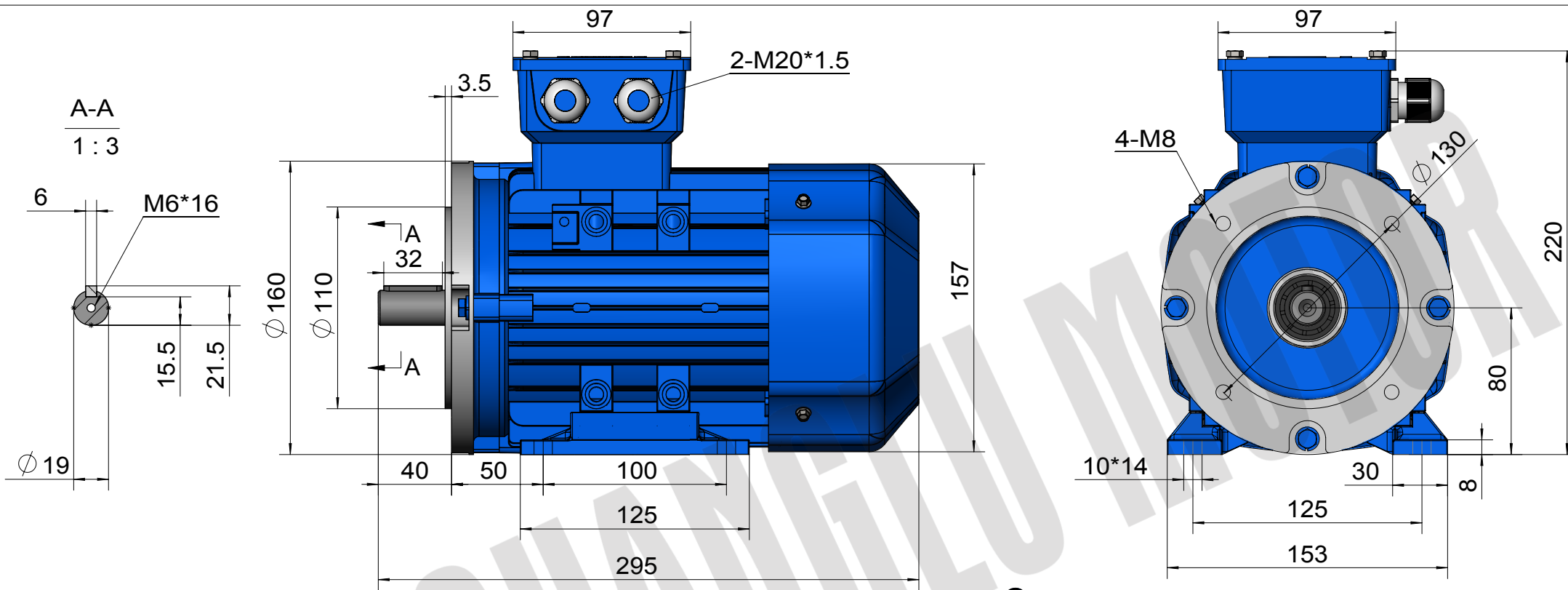
IE2-80M-B34
Mounting diagram



IE2-80M-B35
Mounting diagram



IE2-80M-B14B
 Mounting diagram



IE2-80M-B34B
Mounting diagram

