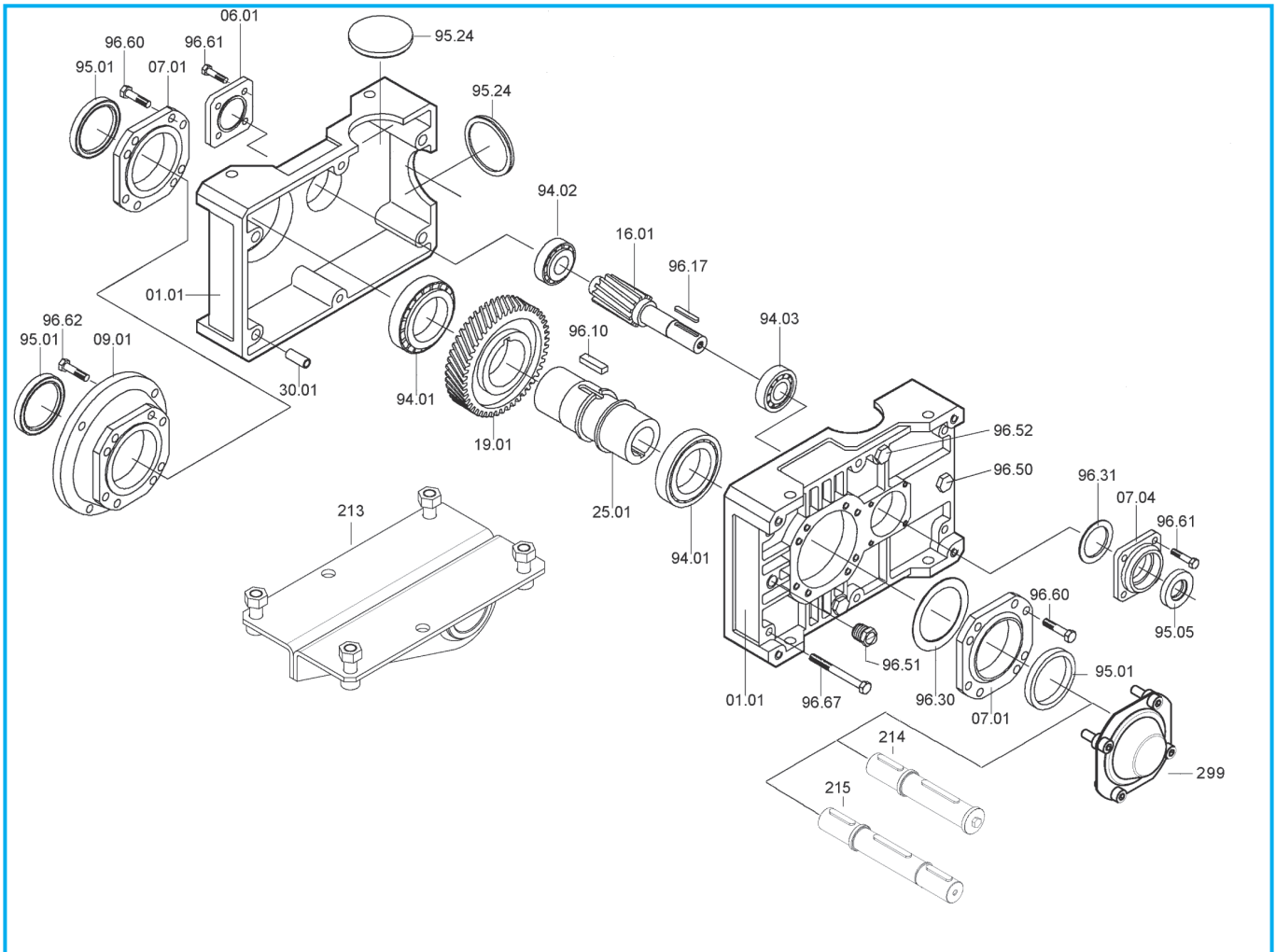
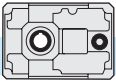


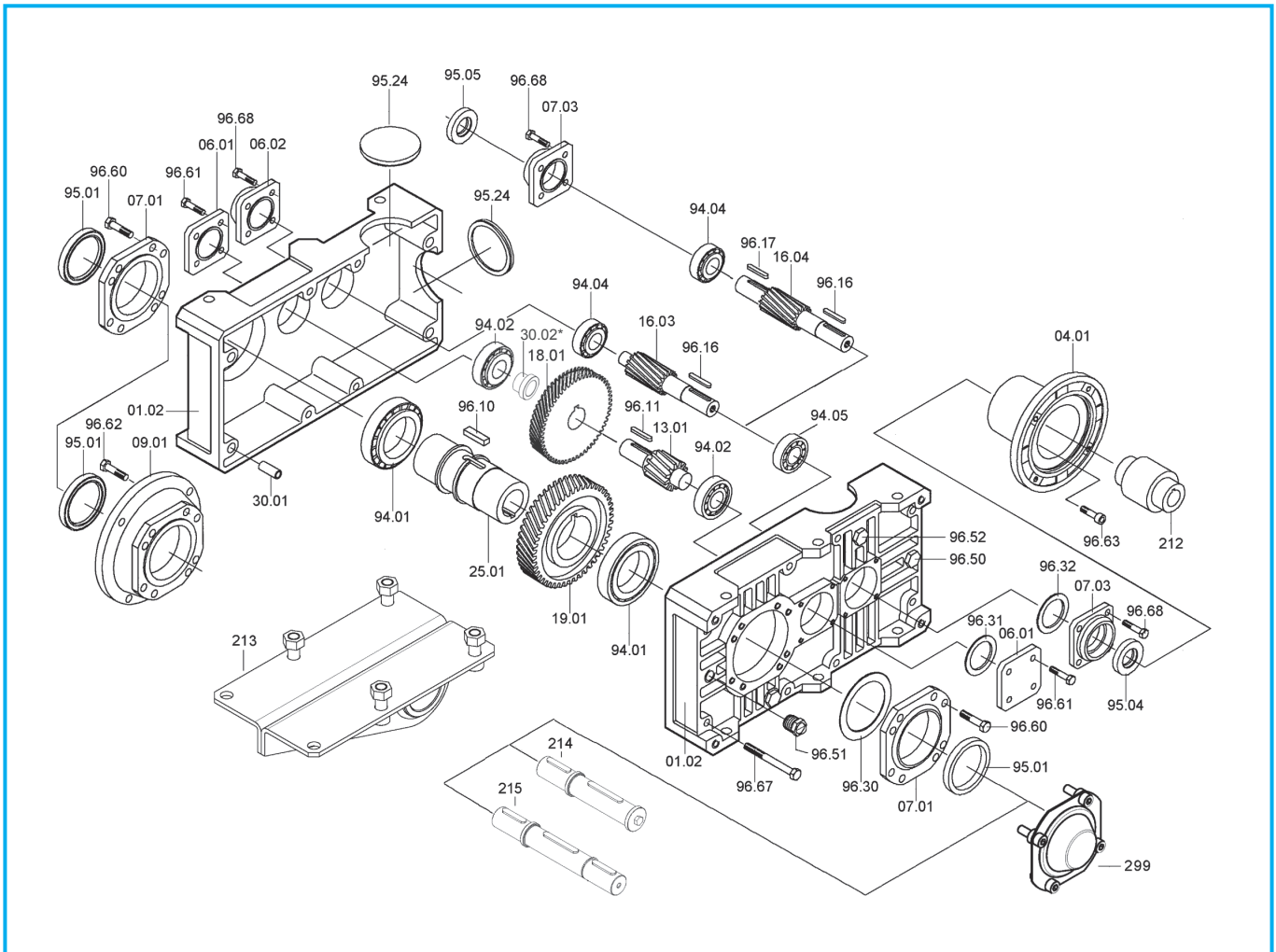
ZA..A



ZA	Cuscinetti/ Bearings / Lager			Anelli di tenuta / Oilseals / Öldichtungen	
	94.01	94.02	94.03	95.01	95.05
71A	32008 40/68/19	30302 15/42/14.25	32004 20/42/15	40/56/8	20/35/7
90A	32010 50/80/20	30204 20/47/15.25	32005 25/47/15	50/65/8	25/47/7
112A	32012 60/95/23	30305 25/62/18.25	30206 30/62/17.25	60/80/10	30/52/7
140A	32015 75/115/25	32206 30/62/21.25	32008 40/68/19	75/95/10	40/56/8
180A	32019 95/145/32	32208 40/80/24.75	32010 50/80/20	95/125/12	50/65/8
225A	32026 130/200/45	31310 50/110/29.25	33113 65/110/34	130/160/12	65/80/10

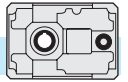


ZA..B - ZF..B

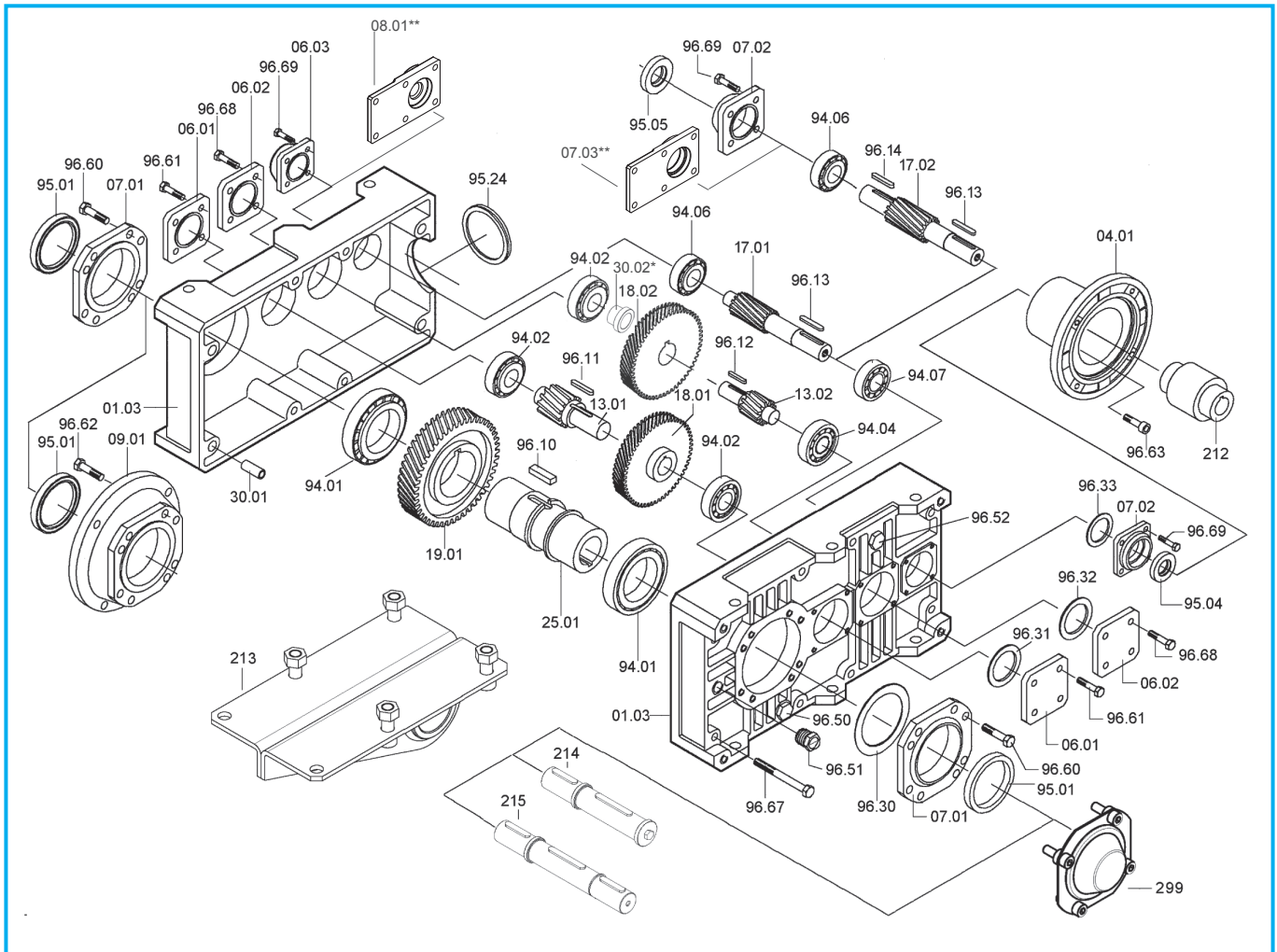


ZA - ZF	Cuscinetti / Bearings / Lager				Anelli di tenuta / Oilseals / Öldichtungen		
	94.01	94.02	94.04	94.05	95.01	95.04	95.05
80B	32010 50/80/20	30204 20/47/15.25	30302 15/42/14.25	32004 20/42/15	50/65/8	20/40/7	15/40/10
100B	32012 60/95/23	30305 25/62/18.25	30204 20/47/15.25	32005 25/47/15	60/80/10	25/47/7	20/47/7
125B	32015 75/115/25	32206 30/62/21.25	30305 25/62/18.25	30206 30/62/17.25	75/95/10	30/52/7	25/52/7
160B	32019 95/145/32	32207 35/72/24.25	32206 30/62/21.25	32008 40/68/19	95/125/12	40/56/8	30/56/10
180B	32024 120/180/38	31309 45/100/27.25	30307 35/80/22.75	32208 40/80/24.75	120/160/15	40/62/7	35/62/7
200B	32026 130/200/45	31310 50/110/29.25	32208 40/80/24.75	32010 50/80/20	130/160/12	50/65/8	40/65/10

*Solo per Z180B / Only for Z180B / Nur für Z180B



ZA..C - ZF..C



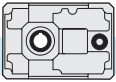
ZA - ZF	Cuscinetti/ Bearings / Lager					Anelli di tenuta / Oilseals / Öldichtungen		
	94.01	94.02	94.04	94.06	94.07	95.01	95.04	95.05
80C	32010 50/80/20	30204 20/47/15.25	30302 15/42/14.25	3202 15/35/15.9	3202 15/35/15.9	50/65/8	15/30/7	15/30/7
100C	32012 60/95/23	30305 25/62/18.25	30204 20/47/15.25	30302 15/42/14.25	32004 20/42/15	60/80/10	20/40/7	15/40/10
125C	32015 75/115/25	32206 30/62/21.25	30305 25/62/18.25	30204 20/47/15.25	32005 25/47/15	75/95/10	25/47/7	20/47/7
160C	32019 95/145/32	32207 35/72/24.25	32206 30/62/21.25	30305 25/62/18.25	30206 30/62/17.25	95/125/12	30/52/7	25/52/7
180C	32024 120/180/38	31309 45/100/27.25	32206 30/62/21.25	30305 25/62/18.25	30206 30/62/17.25	120/160/15	30/52/7	25/52/7
200C	32026 130/200/45	31310 50/110/29.25	30307 35/80/22.75	32206 30/62/21.25	32008 40/68/19	130/160/12	40/56/8	30/56/10

*Solo per Z180C / Only for Z180C / Nur für Z180C

**Solo per Z80C, 08.01 sostituisce 06.02+06.03; 07.03 sostituisce 07.02+06.03

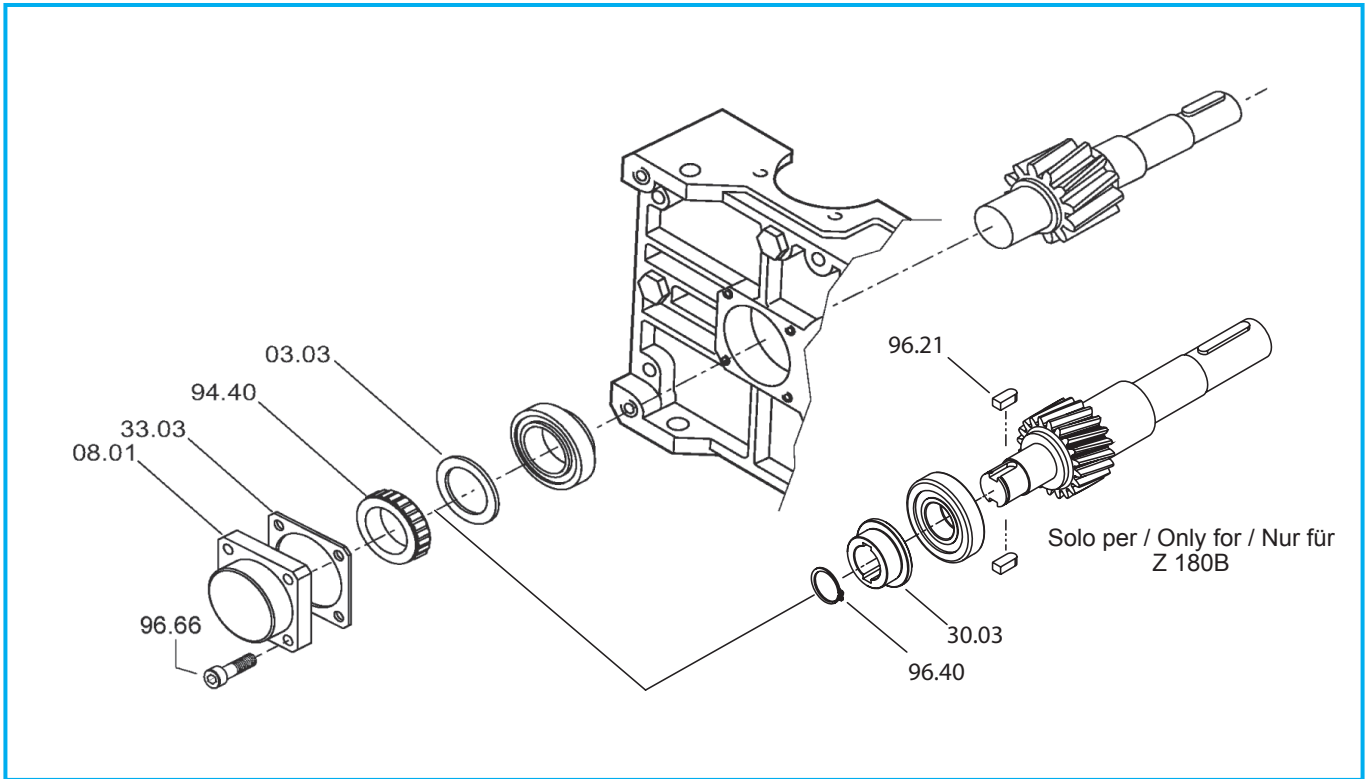
Only for Z80C 08.01 replace 06.02+06.03; 07.03 replace 07.02+06.03

Nur für Z80C 08.01 ersetzt 06.02+06.03; 07.03 ersetzt 07.02+06.03



ZA..B - ZF..B - ZA..C - ZF..C

Dispositivo antiritorno - Backstop device - Rücklaufperre



Z...B	Ruota libera / Free wheel / Freilauf 94.40
80	FE 423 Z
100	FE 428 Z
125	BF 50 Z 16
160	BF 70 Z 21
180	FE 8049 Z 19
200	FE 8040 Z 19

Z...C	Ruota libera / Free wheel / Freilauf 94.40
80	FE 423 Z2
100	FE 423 Z
125	FE 428 Z
160	BF 50 Z 16
180	BF 50 Z 16
200	BF 70 Z 21

In fase di ordine delle parti di ricambio, specificare sempre n° particolare (vedi disegno esploso), data (1), n° codice (2) e n° variante (3). (Vedi targhetta).

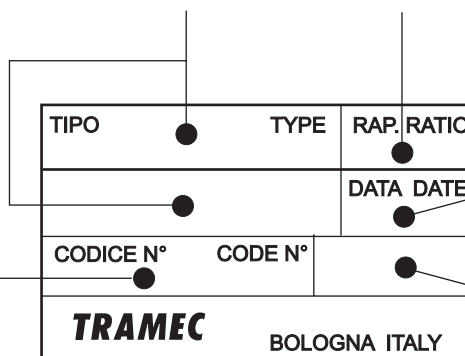
When ordering a spare part, the spare part number (see exploded technical drawing), the date (1), the code number (2) and the variant number (3) should always be reported. (See plate)

Bei der Bestellung von Ersatzteilen sind Ersatzteilnummer (s. Explosionszeichnung), Datum (1), Artikelnummer (2) und Variantennummer (3) anzugeben. (s. Schild)

TIPO: descrizione
TYPE: description
TYP: Bezeichnung

RAP: rapporto di riduzione
RATIO: reduction ratio
ÜBERS.: Untersetzungsverhältnis

Codice prodotto
Article code
ART.-Nr.



DATA: mese/anno
DATE: month/year
DATUM: Monat/Jahr

VARIANTE: codice alfanumerico
VARIANT: alphanumeric code
VARIANTE: alphanumerische Nummer