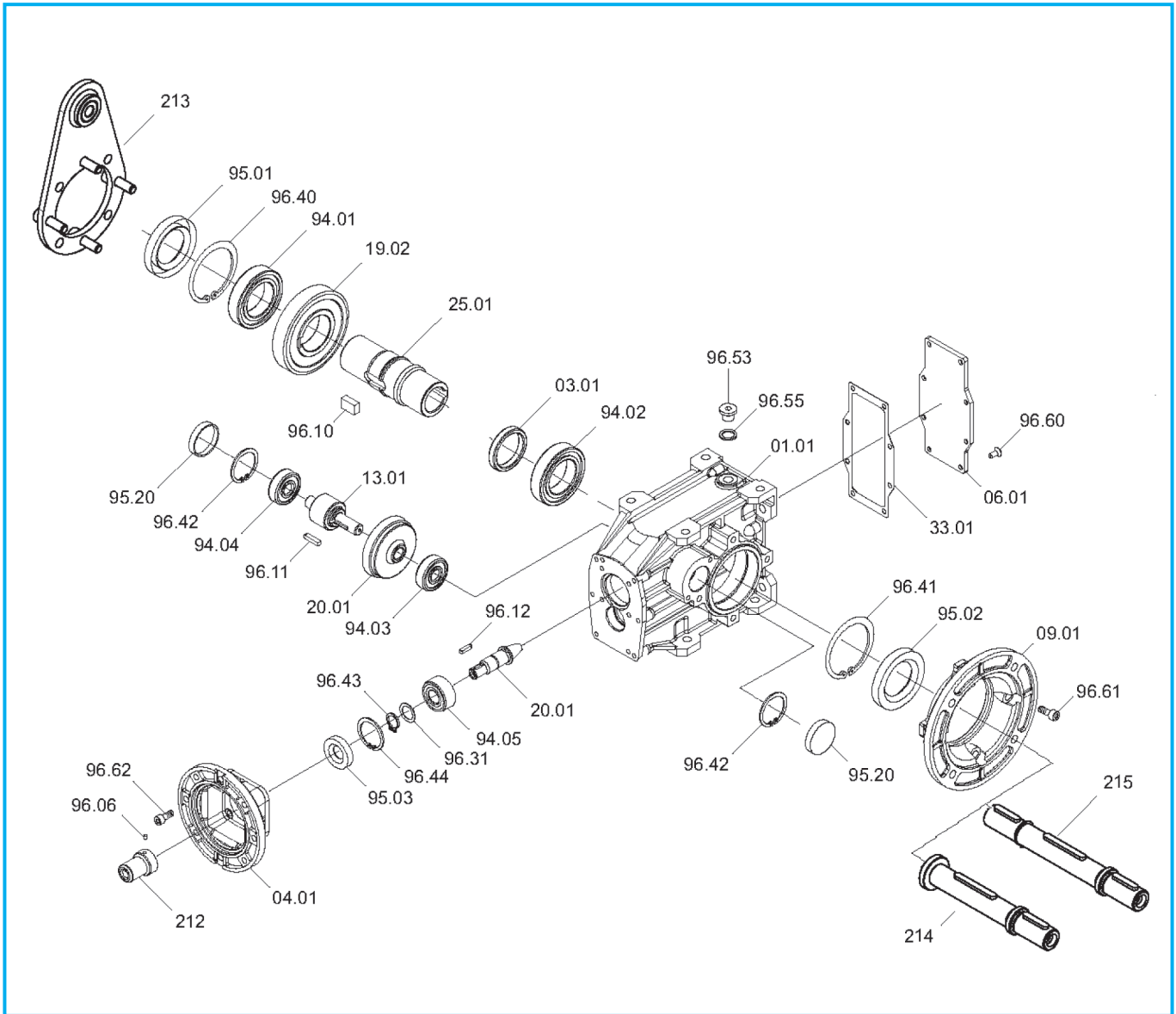
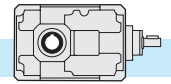


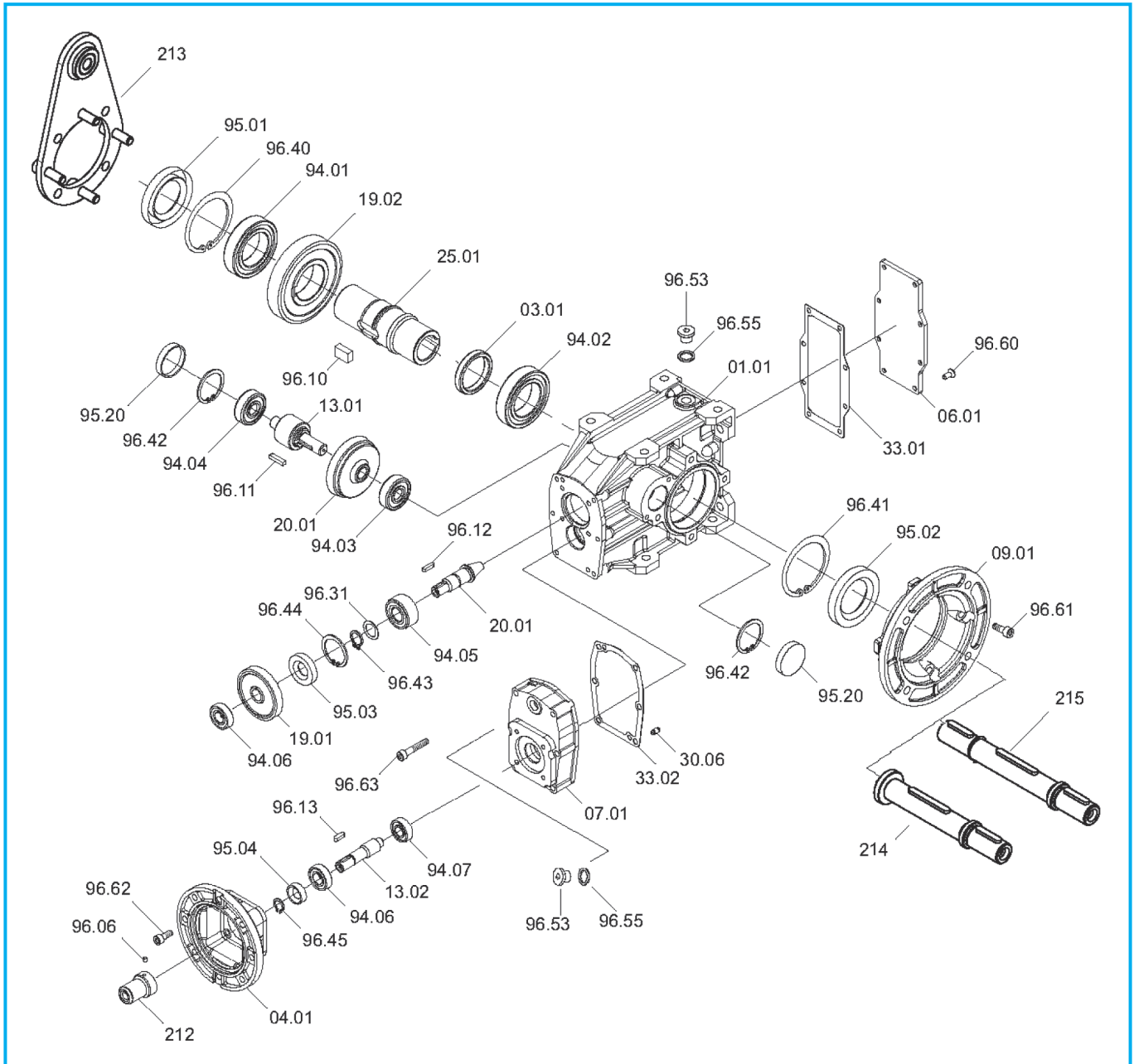
TA/TF 56B - TA/TF 63B



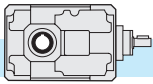
T	Cuscinetti / Bearings / Lager					Anelli di tenuta / Oilseals / Öldichtungen		
	TA - TF					TA - TF		
	94.01	94.02	94.03	94.04	94.05	95.01	95.02	95.03
56B	6007 35/62/14	6007 35/62/14	6201 12/32/10	6201 12/32/10	3201 12/32/15.9	35/62/7	35/62/7	12/32/7
63B	6008 40/68/15	6008 40/68/15	6301 12/37/12	6301 12/37/12	3202 15/35/15.9	40/68/10	40/68/10	15/35/7



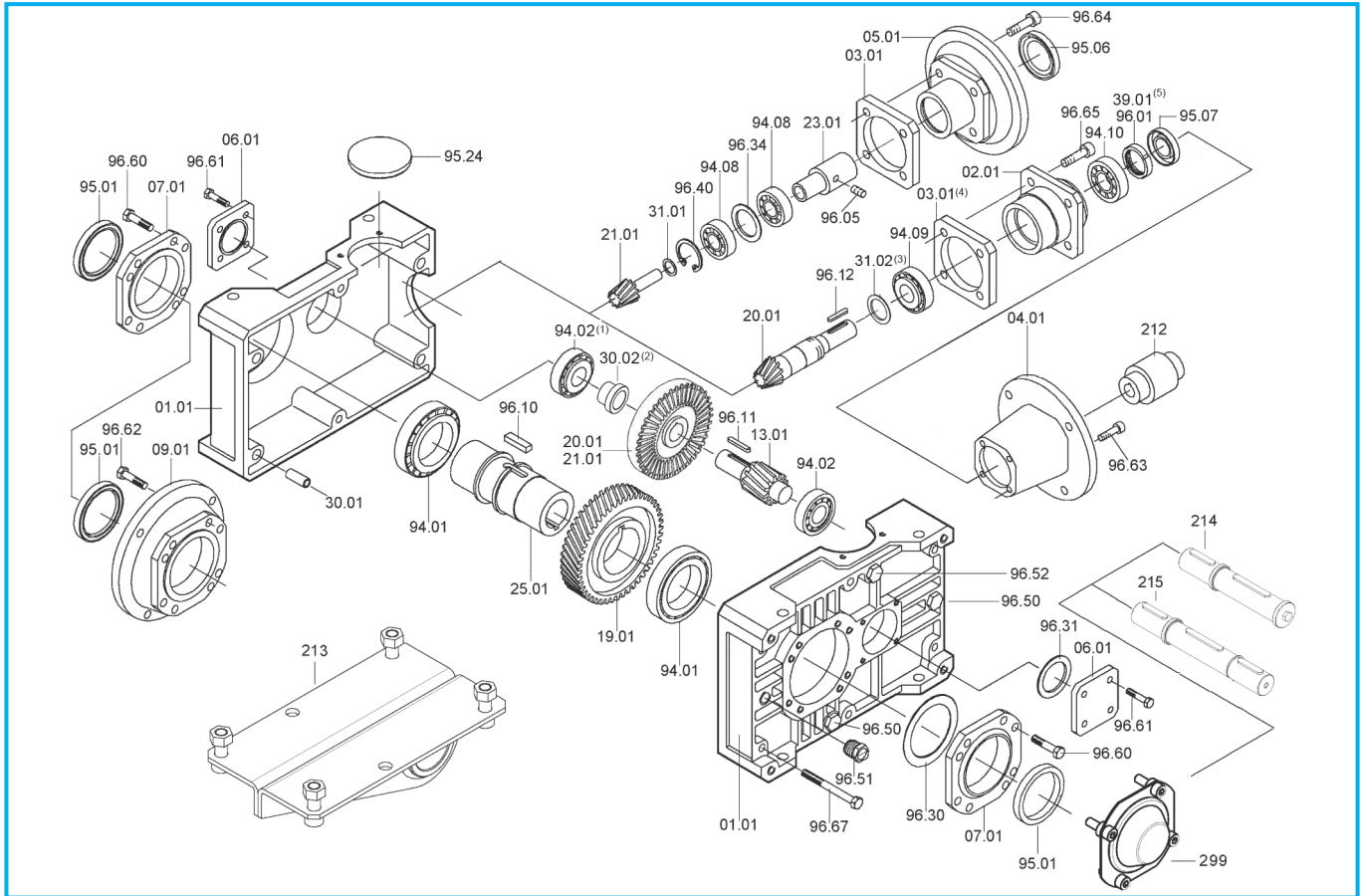
TA/TF 56C - TA/TF 63C



T	Cuscinetti/ Bearings / Lager							Anelli di tenuta / Oilseals / Öldichtungen			
	TA - TF							TA - TF			
	94.01	94.02	94.03	94.04	94.05	94.06	94.07	95.01	95.02	95.03	95.04
56C	6007 35/62/14	6007 35/62/14	6201 12/32/10	6201 12/32/10	3201 12/32/15.9	6001 12/28/8	6000 10/26/8	35/62/7	35/62/7	12/32/7	12/22/7
63C	6008 40/68/15	6008 40/68/15	6301 12/37/12	6301 12/37/12	3202 15/35/15.9	6001 12/28/8	6000 10/26/8	40/68/10	40/68/10	15/35/7	12/22/7



TA..B - TC..B - TF..B



T	Cuscinetti/ Bearings / Lager				Anelli di tenuta / Oilseals / Öldichtungen				
	TA - TC - TF		TC	TA - TF		TA - TC - TF		TC	TA - TF
	94.01	94.02	94.08	94.09	94.10	95.01	IEC 95.06	95.07	
71B	32008 40/68/19	30302 15/42/14.25	7203 17/40/12	30203 17/40/13.25	40/56/8	63	25/52/7	15/40/10	
						71	30/52/7		
						80	35/52/7		
						90	37/52/8		
90B	32010 50/80/20	30204 20/47/15.25	7205 25/52/15	32005 25/47/15	50/65/8	71 - 80	35/62/7	20/47/7	
						90	40/62/7		
						100 - 112	45/62/8		
						80 - 90	40/72/7		
112B	32012 60/95/23	30305 25/62/18.25	7206 30/62/16	32006 30/55/17	60/80/10	100 - 112	45/72/8	25/58/10	
						132	55/72/10		
						80 - 90	45/80/10		
						100 - 112	45/80/10		
140B	32015 75/115/25	32206B 30/62/21.25	7207 35/72/17	32007 35/62/18	75/95/10	132	55/80/10	30/62/7	
						160	60/80/8		
						180	65/80/8		
						100 - 112	55/100/13		
180B	32019 95/145/32	31307 35/80/22.75 (1) 32208 40/80/24.75	7209 45/85/19	33109 45/80/26	95/125/12	132 - 160	60/100/10	40/80/10	
						180	65/100/10		
						200	75/100/10		
						100 - 112	55/100/13		
200B	32024 120/180/38	31309 45/100/27.25	7209 45/85/19	33109 45/80/26	120/160/15	132 - 160	60/100/10	40/80/10	
						180	65/100/10		
						200	75/100/10		
						100 - 112	55/100/13		
225B	32026 130/200/45	31310 50/110/29.25	—	33211 55/100/35	33211 55/100/35	130/160/12	—	—	75/100/10

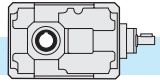
(1) Presente solo nella versione con antiretro / Only on version with back stop device / Nur für die Version mit Rücklaufsperr

(2) Solo per T200B / Only for T200B / Nur für T200B

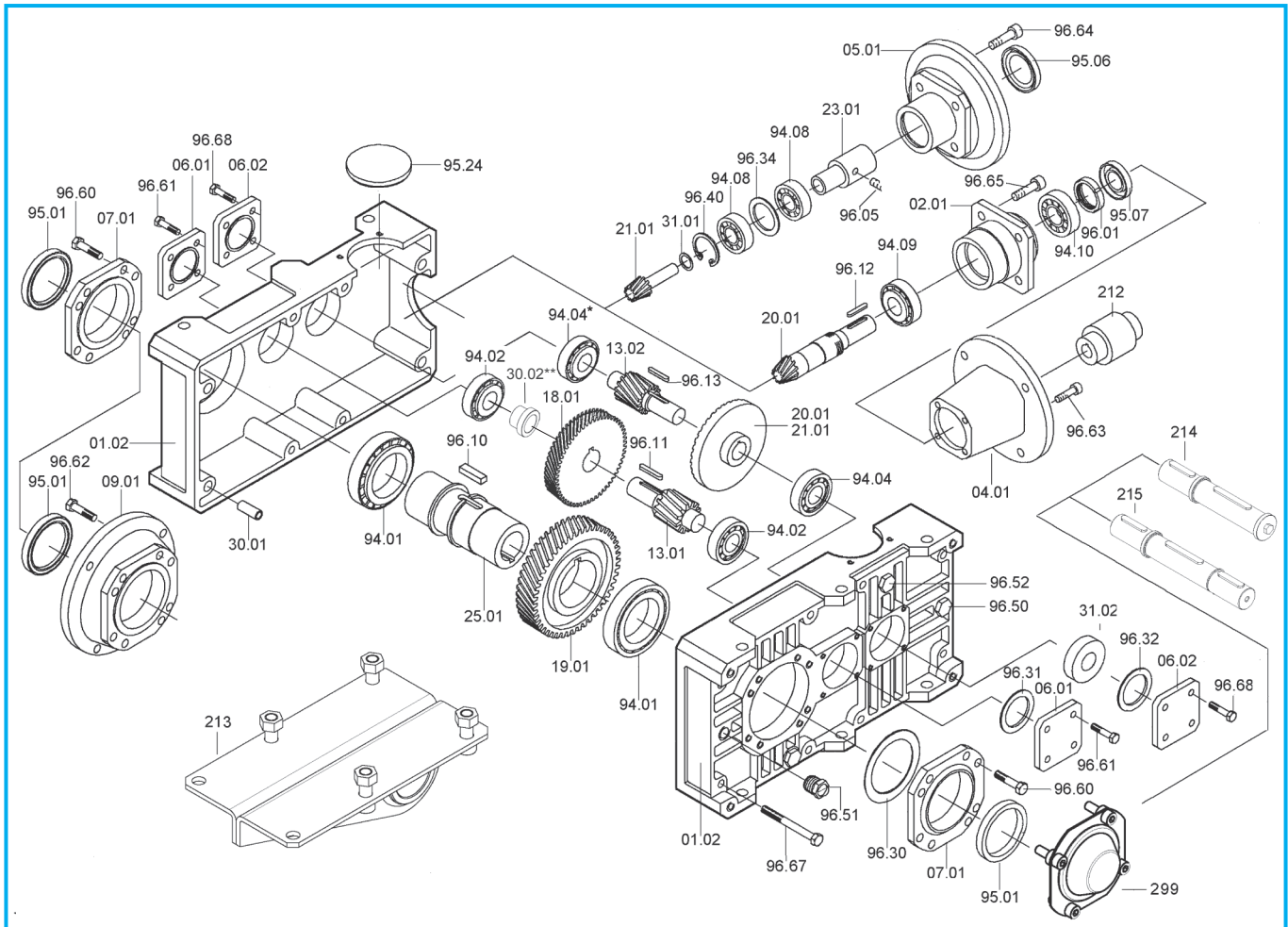
(3) Solo per T225B i=16 - 40 (no per i = 8 - 12.5) / Only for T225B i = 16- 40 (not for i = 8 - 12.5) / Nur für T225B i= 16- 40 (Nicht für i = 8 - 12.5)

(4) Non presente nel T225B / Not on T225B / Nicht vorhanden für T225B

(5) Solo per T225B / Only for T225B / Nur für T225B



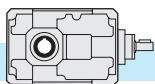
TA..C - TC..C - TF..C



T	Cuscinetti/ Bearings / Lager						Anelli di tenuta / Oilseals / Öldichtungen			
	TA - TC - TF			TC	TA - TF		TA - TC - TF	TC		TA - TF
	94.01	94.02	94.04	94.08	94.09	94.10	95.01	IEC	95.06	95.07
80C	32010 50/80/20	30204 20/47/15.25	30302 15/42/14.25	7203 17/40/12	30203 17/40/13.25		50/65/8	63 71 80 90	25/52/7 30/52/7 35/52/7 37/52/8	15/40/10
100C	32012 60/95/23	30305 25/62/18.25	30204 20/47/15.25	7205 25/52/15	32005 25/47/15		60/80/10	71 - 80 90 100 - 112	35/62/7 40/62/7 45/62/8	20/47/7
125C	32015 75/115/25	32206 30/62/21.25	30305 25/62/18.25	7206 30/62/16	32006 30/55/17		75/95/10	80 - 90 100 - 112 132	40/72/7 45/72/8 55/72/10	25/58/10
160C	32019 95/145/32	32207 35/72/24.25	32206 30/62/21.25	7207 35/72/17	32007 35/62/18		95/125/12	80 - 90 100 - 112 132 160 180	45/80/10 45/80/10 55/80/10 60/80/8 65/80/8	30/62/7
180C	32024 120/180/38	31309 45/100/27.25	32206B 30/62/21.25	7207 35/72/17	32007 35/62/18		120/160/15	80 - 90 100 - 112 132 160 180	45/80/10 45/80/10 55/80/10 60/80/10 65/80/10	30/62/7
200C	32026 130/200/45	31310 50/110/29.25	30307 35/80/22.75 * 32208 40/80/24.75	7209 45/85/38	33109 45/80/26		130/160/12	100 - 112 132 - 160 180 200	55/100/13 60/100/10 65/100/10 75/100/10	40/80/10

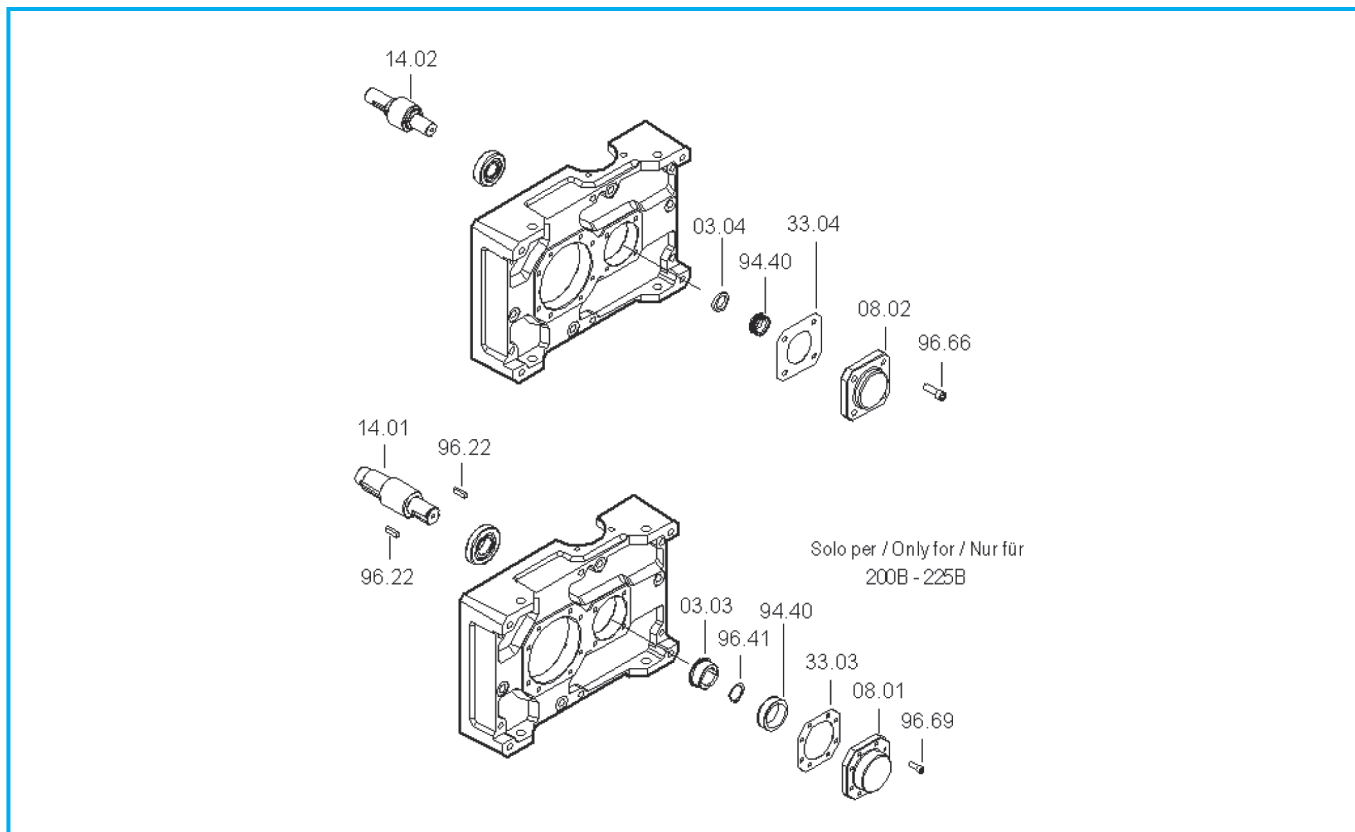
* Presente solo nella versione con antiretro / Only on version with back stop device / Nur für die Version mit Rücklaufperre

** Solo per T180C / Only for T180C / Nur für T180C



TA..B - TC..B - TF..B - TA..C - TC..C - TF..C

Dispositivo antiritorno - Backstop device - Rücklaufperre



T...B	Ruota libera / Free wheel / Freilauf 94.40
71	FE 423 Z
90	FE 428 Z
112	BF 50 Z 16
140	BF 70 Z 21
180	FE 8040 Z 19
200	FE 8054 Z 25
225	FE 8072 Z 25

T...C	Ruota libera / Free wheel / Freilauf 94.40
80	FE 423 Z
100	FE 428 Z
125	BF 50 Z 16
160	BF 70 Z 21
180	BF 70 Z 21
200	FE 8040 Z 19

In fase di ordine delle parti di ricambio, specificare sempre n° particolare (vedi disegno esploso), data (1), n° codice (2) e n° variante (3). (Vedi targhetta).

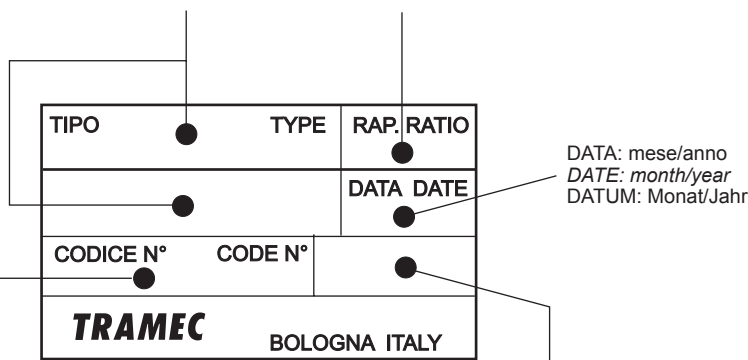
When ordering please specify the spare part number (see exploded view) as well as the date (1), the article number (2) and the variant number (3) (see plate)

Bei der Bestellung von Ersatzteilen sind Ersatzteilnummer (s. Explosionszeichnung), Datum (1), Artikelnummer (2) und Variantennummer (3) anzugeben. (s. Schild)

TIPO: descrizione
TYPE: description
TYP: Bezeichnung

RAP: rapporto di riduzione
RATIO: reduction ratio
ÜBERS.: Untersetzungsverhältnis

Codice prodotto
Article code
ART.-Nr.



VARIANTE: codice alfanumerico
VARIANT: alphanumeric code
VARIANTE: alphanumerische Nummer