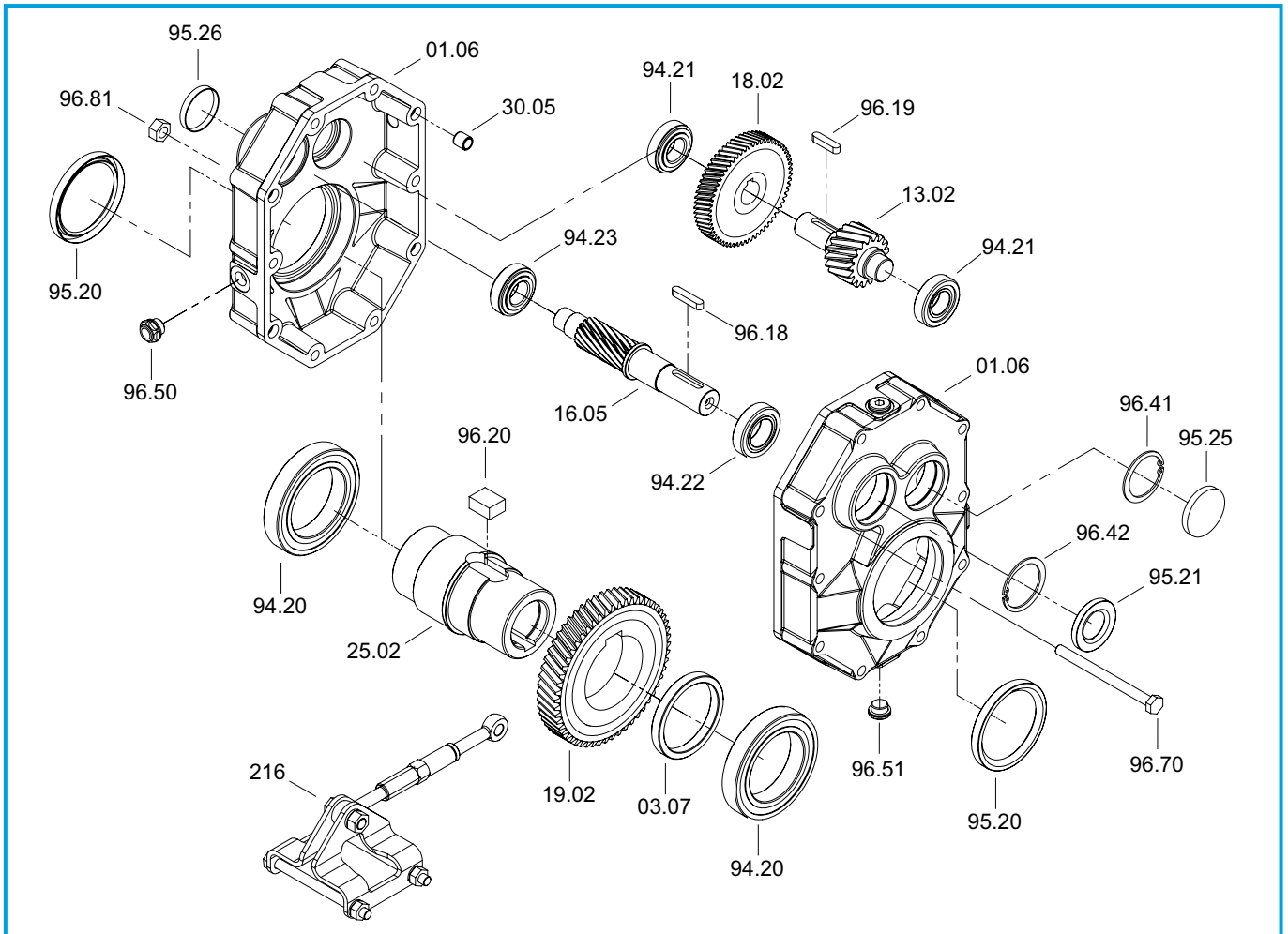




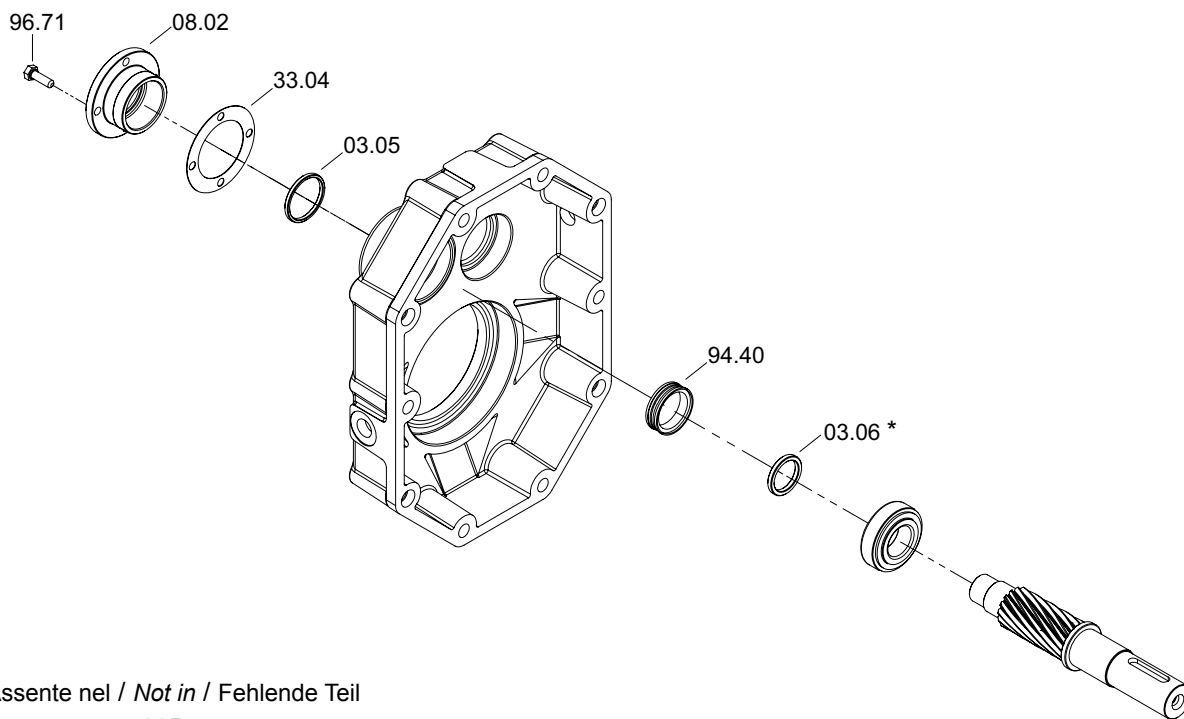
MA..B



MA	Cuscinetti / Bearings / Lager				Anelli di tenuta / Oilseals / Öldichtungen	
	94.20	94.21	94.22	94.23	95.20	95.21
63B	6010 50/80/16	6303 17/47/14	6004 20/42/12	6203 17/40/12	50/65/8	20/42/7
80B	6012 60/95/18	30204 20/47/15.25	6205 25/52/15	6204 20/47/14	60/75/8	25/52/7
100B	6015 75/115/20	30205 25/52/16.25	32006 30/55/17	30205 25/52/16.25	75/95/10	30/55/7
125B	6018 90/140/24	30206 30/62/17.25	32008 40/68/19	30206 30/62/17.25	90/110/12	40/68/10
140B	6219 95/170/32	30207 35/72/18.25	30208 40/80/19.75	30207 35/72/18.25	95/125/12	40/80/10
160B	6222 110/200/38	32208 40/80/24.75	32209 45/85/24.75	32208 40/80/24.75	110/130/12	45/85/10
180B	6226 130/230/40	33210 50/90/32	32210 50/90/24.75	32209 45/85/24.75	130/160/12	50/90/10

MA..B

Dispositivo antiritorno - Backstop device - Rücklaufperre



* Assente nel / Not in / Fehlende Teil

63B

80B

MA	Ruota libera / Free wheel / Freilaufgrad 94.40
63B	FE 423 Z
80B	FE 428 Z
100B	BF 50 Z 16
125B	BF 71 Z 16
140B	SF 31-13,5/12J
160B	BF 90 Z 21
180B	FE 8044 Z 19