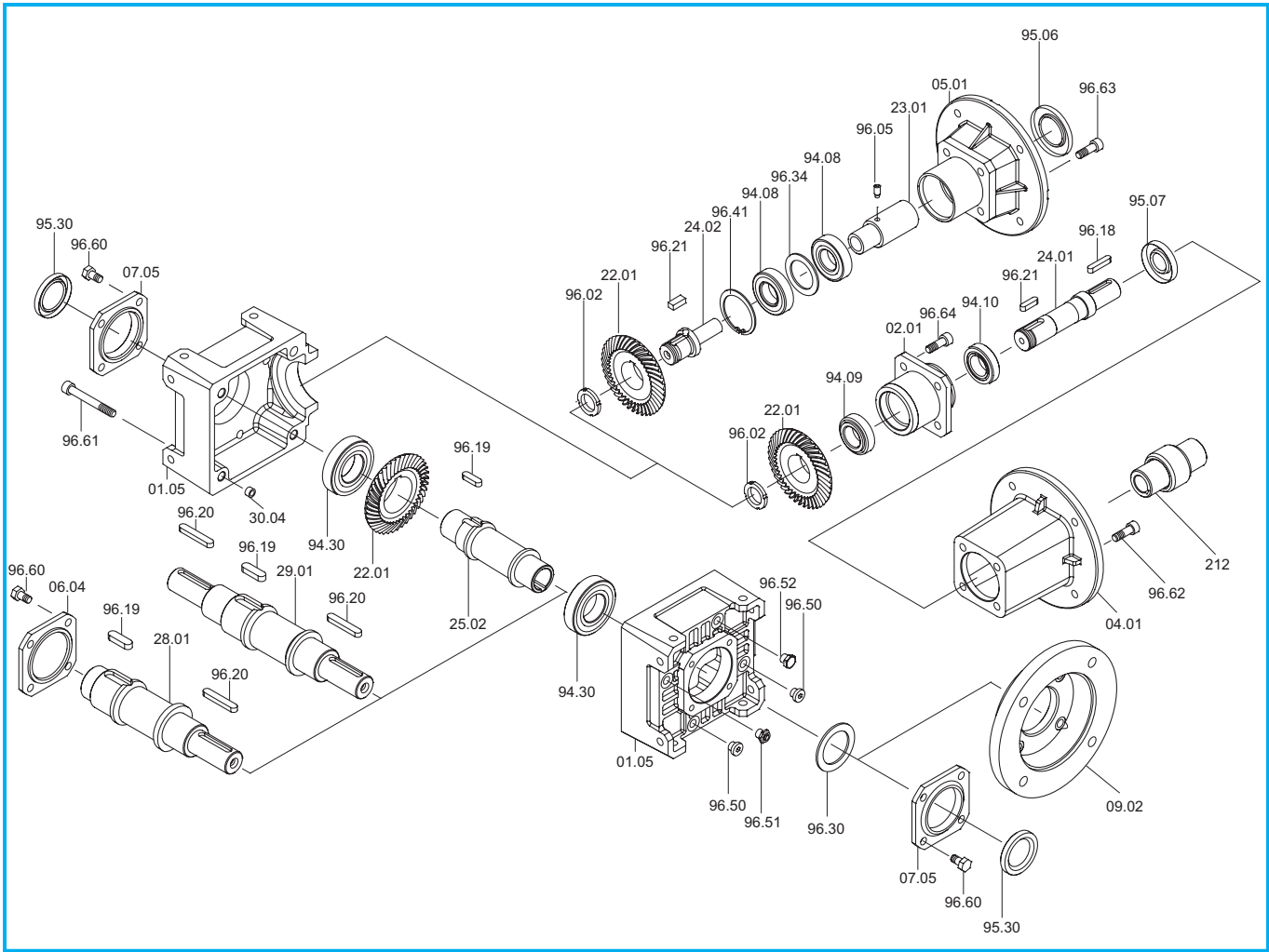
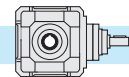


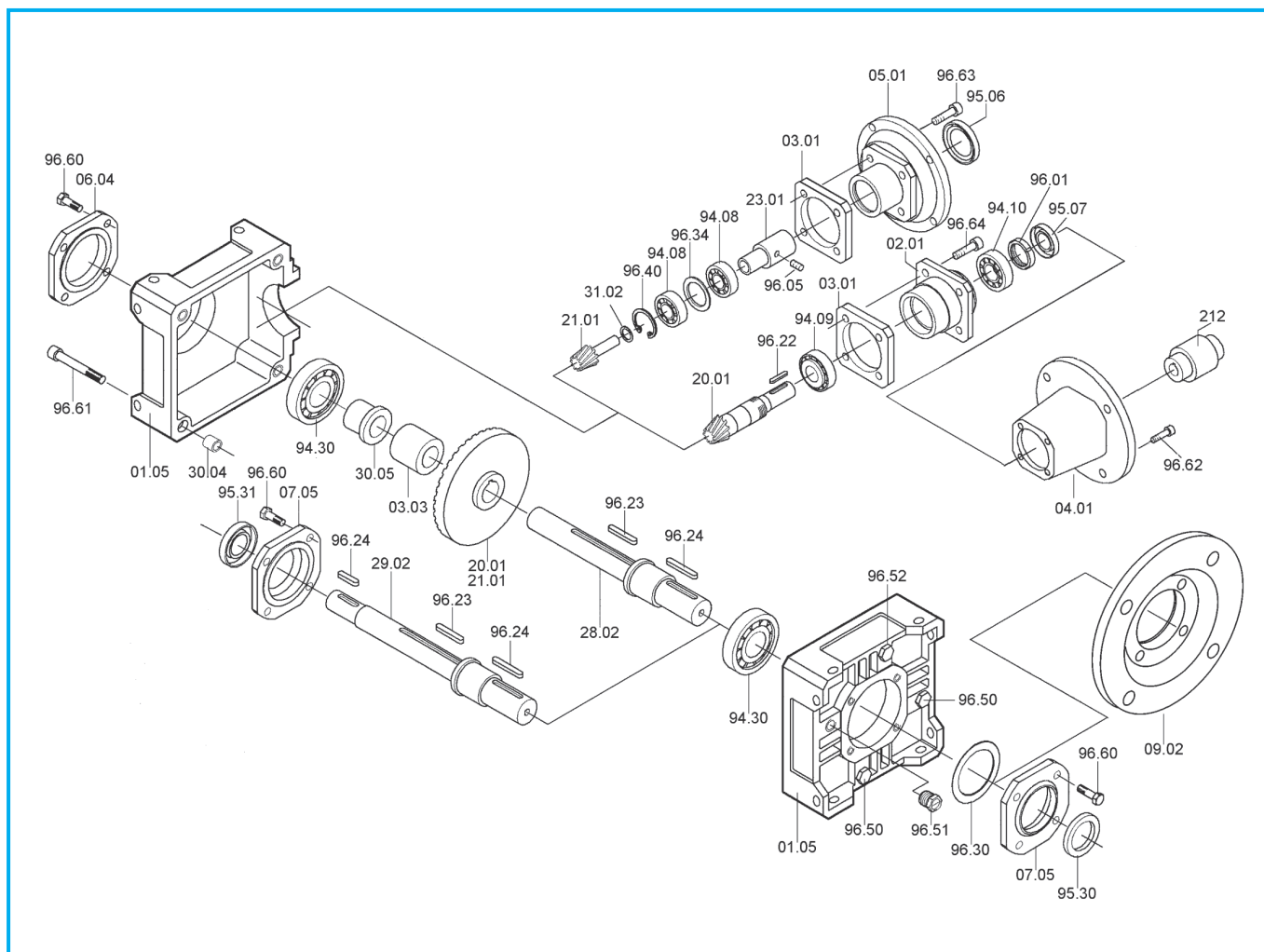
**RA - RC - RF (in = 1)**



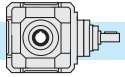
| RA - RC - RF<br>in = 1:1 | Cuscinetti/ Bearings / Lager |                             |                         | Anelli di tenuta / Oilseals / Öldichtungen |           |                  |                 |
|--------------------------|------------------------------|-----------------------------|-------------------------|--|-----------|------------------|-----------------|
|                          | RA - RC - RF                 | RA - RF                     | RC                      | RA - RC - RF                               | RC        | RA - RF          |                 |
|                          | 94.30                        | 94.10 - 94.09               | 94.08                   | 95.30                                      | IEC       | 95.06            | 95.07           |
| <b>19</b>                | <b>6206</b><br>30/62/16      | <b>32023</b><br>17/40/13.25 | <b>7203</b><br>17/40/12 | 30/47/7                                    | 63        | <b>25/52/7</b>   | <b>20/40/7</b>  |
|                          |                              |                             |                         |  | 71        | <b>30/52/7</b>   |                 |
|                          |                              |                             |                         |  | 80        | <b>35/52/7</b>   |                 |
|                          |                              |                             |                         |  | 90        | <b>37/52/8</b>   |                 |
| <b>24</b>                | <b>6207</b><br>35/72/17      | <b>32005</b><br>25/47/15    | <b>7205</b><br>25/52/15 | 35/52/7                                    | 71 - 80   | <b>35/62/7</b>   | <b>30/47/7</b>  |
|                          |                              |                             |                         |  | 90        | <b>40/62/7</b>   |                 |
|                          |                              |                             |                         |  | 100 - 112 | <b>45/62/8</b>   |                 |
| <b>28</b>                | <b>6208</b><br>40/80/18      | <b>32006</b><br>30/55/17    | <b>7206</b><br>30/62/16 | 40/62/8                                    | 80 - 90   | <b>40/72/7</b>   | <b>35/58/10</b> |
|                          |                              |                             |                         |  | 100 - 112 | <b>45/72/8</b>   |                 |
|                          |                              |                             |                         |  | 132       | <b>55/72/8</b>   |                 |
|                          |                              |                             |                         |  | 80 - 90   | <b>45/80/10</b>  |                 |
| <b>38</b>                | <b>30211</b><br>55/100/22.75 | <b>32007</b><br>35/62/18    | <b>7207</b><br>35/72/17 | 55/72/10                                   | 100 - 112 | <b>45/80/10</b>  | <b>40/62/7</b>  |
|                          |                              |                             |                         |  | 132       | <b>55/80/10</b>  |                 |
|                          |                              |                             |                         |  | 160       | <b>60/80/8</b>   |                 |
|                          |                              |                             |                         |  | 180       | <b>65/80/8</b>   |                 |
|                          |                              |                             |                         |  | 100 - 112 | <b>55/100/13</b> |                 |
| <b>48</b>                | <b>30213</b><br>65/120/24.75 | <b>33109</b><br>45/80/26    | <b>7209</b><br>45/85/19 | 65/90/10                                   | 132 - 160 | <b>60/100/10</b> | <b>55/80/8</b>  |
|                          |                              |                             |                         |  | 180       | <b>65/100/10</b> |                 |
|                          |                              |                             |                         |  | 200       | <b>75/100/10</b> |                 |
|                          |                              |                             |                         |  |           |                  |                 |



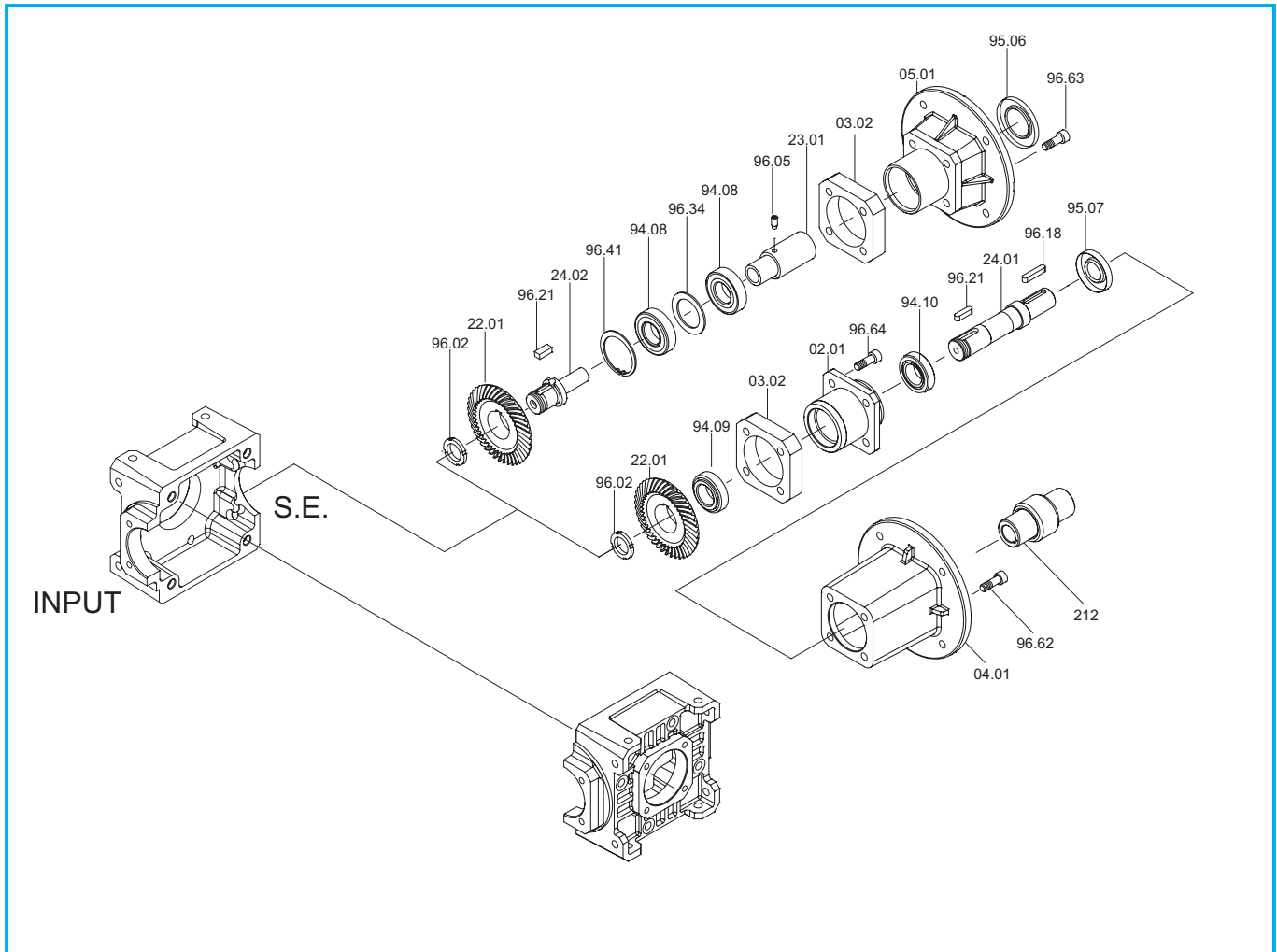
**RA - RC - RF (in > 1)**



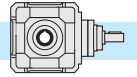
| RA - RC - RF<br>in > 1 | Cuscinetti/ Bearings / Lager |                      |       |                  | Anelli di tenuta / Oilseals / Öldichtungen |          |           |           |          |
|------------------------|------------------------------|----------------------|-------|------------------|--|----------|-----------|-----------|----------|
|                        | RA - RC - RF                 | RA - RF              |       | RC               | RA - RC - RF                               |          | RC        |           | RA - RF  |
|                        | 94.30                        | 94.09                | 94.10 | 94.08            | 95.30                                      | 95.31    | IEC       | 95.06     | 95.07    |
| <b>19</b>              | 6305<br>25/62/17             | 32023<br>17/40/13.25 |       | 7203<br>17/40/12 | 25/47/7                                    | 17/47/7  | 63        | 25/52/7   | 15/40/10 |
|                        |                              |                      |       |                  |  |          | 71        | 30/52/7   |          |
|                        |                              |                      |       |                  |  |          | 80        | 35/52/7   |          |
|                        |                              |                      |       |                  |  |          | 90        | 37/52/8   |          |
| <b>24</b>              | 6306<br>30/72/19             | 32005<br>25/47/15    |       | 7205<br>25/52/15 | 30/52/7                                    | 20/52/7  | 71 - 80   | 35/62/7   | 20/47/7  |
|                        |                              |                      |       |                  |  |          | 90        | 40/62/7   |          |
|                        |                              |                      |       |                  |  |          | 100 - 112 | 45/62/8   |          |
| <b>28</b>              | 6307<br>35/80/21             | 32006<br>30/55/17    |       | 7206<br>30/62/16 | 35/62/7                                    | 25/62/10 | 80 - 90   | 40/72/7   | 25/58/10 |
|                        |                              |                      |       |                  |  |          | 100 - 112 | 45/72/8   |          |
|                        |                              |                      |       |                  |  |          | 132       | 55/72/8   |          |
| <b>38</b>              | 6309<br>45/100/25            | 32007<br>35/62/18    |       | 7207<br>35/72/17 | 45/72/8                                    | 30/72/10 | 80 - 90   | 45/80/10  | 30/62/7  |
|                        |                              |                      |       |                  |  |          | 100 - 112 | 45/80/10  |          |
|                        |                              |                      |       |                  |  |          | 132       | 55/80/10  |          |
|                        |                              |                      |       |                  |  |          | 160       | 60/80/8   |          |
|                        |                              |                      |       |                  |  |          | 180       | 65/80/8   |          |
| <b>48</b>              | 6311<br>55/120/29            | 33109<br>45/80/26    |       | 7209<br>45/85/19 | 55/90/10                                   | 40/90/8  | 100 - 112 | 55/100/13 | 40/80/10 |
|                        |                              |                      |       |                  |  |          | 132 - 160 | 60/100/10 |          |
|                        |                              |                      |       |                  |  |          | 180       | 65/100/10 |          |
|                        |                              |                      |       |                  |  |          | 200       | 75/100/10 |          |



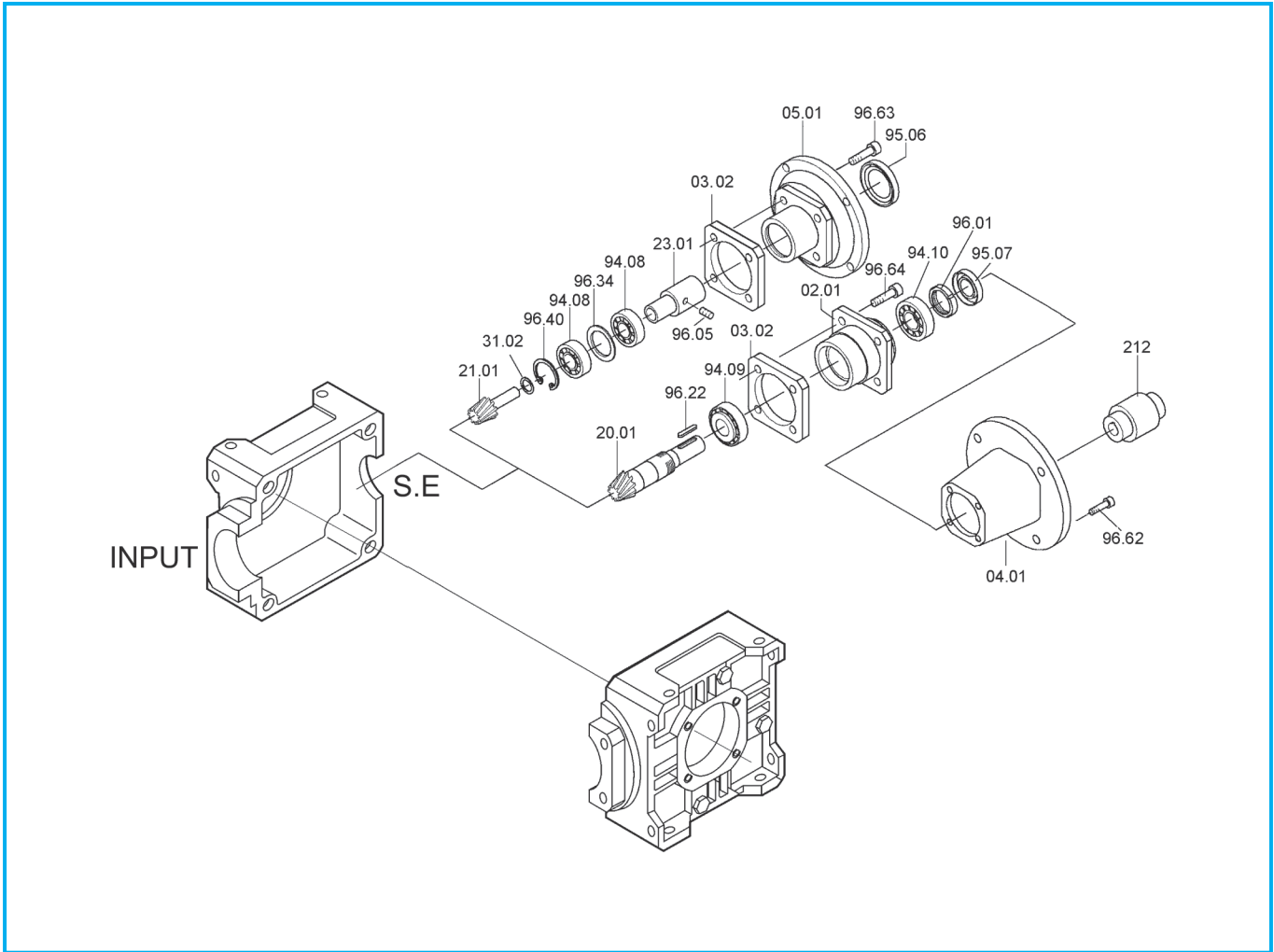
**RA - RC - RF (in = 1) s.e.**



| RA - RC - RF<br>in = 1:1<br>S.E | Cuscinetti / Bearings / Lager |                         | Anelli di tenuta / Oilseals / Öldichtungen |                  |                 |
|---------------------------------|-------------------------------|-------------------------|--|------------------|-----------------|
|                                 | RA - RF                       | RC                      | RC   |                  | RA - RF         |
|                                 | 94.10 - 94.09                 | 94.08                   | IEC  | 95.06            | 95.07           |
| <b>19</b>                       | <b>32003</b><br>17/40/13.25   | <b>7203</b><br>17/40/12 | 63   | <b>25/52/7</b>   | <b>20/40/7</b>  |
|                                 |                               |                         | 71   | <b>30/52/7</b>   |                 |
|                                 |                               |                         | 80   | <b>35/52/7</b>   |                 |
|                                 |                               |                         | 90   | <b>37/52/8</b>   |                 |
| <b>24</b>                       | <b>32005</b><br>25/47/15      | <b>7205</b><br>25/52/15 | 71 - 80                                    | <b>35/62/7</b>   | <b>30/47/7</b>  |
|                                 |                               |                         | 90   | <b>40/62/7</b>   |                 |
|                                 |                               |                         | 100 - 112                                  | <b>45/62/8</b>   |                 |
| <b>28</b>                       | <b>32006</b><br>30/55/17      | <b>7206</b><br>30/62/16 | 80 - 90                                    | <b>40/72/7</b>   | <b>35/58/10</b> |
|                                 |                               |                         | 100 - 112                                  | <b>45/72/8</b>   |                 |
|                                 |                               |                         | 132  | <b>55/72/8</b>   |                 |
| <b>38</b>                       | <b>32007</b><br>35/62/18      | <b>7207</b><br>35/72/17 | 80 - 90                                    | <b>45/80/10</b>  | <b>40/62/7</b>  |
|                                 |                               |                         | 100 - 112                                  | <b>45/80/10</b>  |                 |
|                                 |                               |                         | 132  | <b>55/80/10</b>  |                 |
|                                 |                               |                         | 160  | <b>60/80/8</b>   |                 |
| <b>48</b>                       | <b>33109</b><br>45/80/26      | <b>7209</b><br>45/85/19 | 180  | <b>65/80/8</b>   | <b>55/80/8</b>  |
|                                 |                               |                         | 100 - 112                                  | <b>55/100/13</b> |                 |
|                                 |                               |                         | 132 - 160                                  | <b>60/100/10</b> |                 |
|                                 |                               |                         | 200  | <b>75/100/10</b> |                 |



**RA - RC - RF (in > 1) s.e.**



| RA - RC - RF<br>in > 1<br>S.E | Cuscinetti/ Bearings / Lager |                         | Anelli di tenuta / Oilseals / Öldichtungen |                  |                 |
|-------------------------------|------------------------------|-------------------------|--|------------------|-----------------|
|                               | RA - RF                      | RC                      | RC   |                  | RA - RF         |
|                               | 94.09 - 94.10                | 94.08                   | IEC  | 95.06            | 95.07           |
| <b>19</b>                     | <b>32003</b><br>17/40/13.25  | <b>7203</b><br>17/40/12 | 63   | <b>25/52/7</b>   | <b>15/40/10</b> |
|                               |                              |                         | 71   | <b>30/52/7</b>   |                 |
|                               |                              |                         | 80   | <b>35/52/7</b>   |                 |
|                               |                              |                         | 90   | <b>37/52/8</b>   |                 |
| <b>24</b>                     | <b>32005</b><br>25/47/15     | <b>7205</b><br>25/52/15 | 71 - 80                                    | <b>35/62/7</b>   | <b>20/47/7</b>  |
|                               |                              |                         | 90   | <b>40/62/7</b>   |                 |
|                               |                              |                         | 100 - 112                                  | <b>45/62/8</b>   |                 |
| <b>28</b>                     | <b>32006</b><br>30/55/17     | <b>7206</b><br>30/62/16 | 80 - 90                                    | <b>40/72/7</b>   | <b>25/58/10</b> |
|                               |                              |                         | 100 - 121                                  | <b>45/72/8</b>   |                 |
|                               |                              |                         | 132  | <b>55/72/8</b>   |                 |
| <b>38</b>                     | <b>32007</b><br>35/62/18     | <b>7207</b><br>35/72/17 | 80 - 90                                    | <b>45/80/10</b>  | <b>30/62/7</b>  |
|                               |                              |                         | 100 - 112                                  | <b>45/80/10</b>  |                 |
|                               |                              |                         | 132  | <b>55/80/10</b>  |                 |
|                               |                              |                         | 160  | <b>60/80/8</b>   |                 |
| <b>48</b>                     | <b>33109</b><br>45/80/26     | <b>7209</b><br>45/85/19 | 180  | <b>65/80/8</b>   | <b>40/80/10</b> |
|                               |                              |                         | 100 - 112                                  | <b>55/100/13</b> |                 |
|                               |                              |                         | 132 - 160                                  | <b>60/100/10</b> |                 |
|                               |                              |                         | 200  | <b>75/100/10</b> |                 |