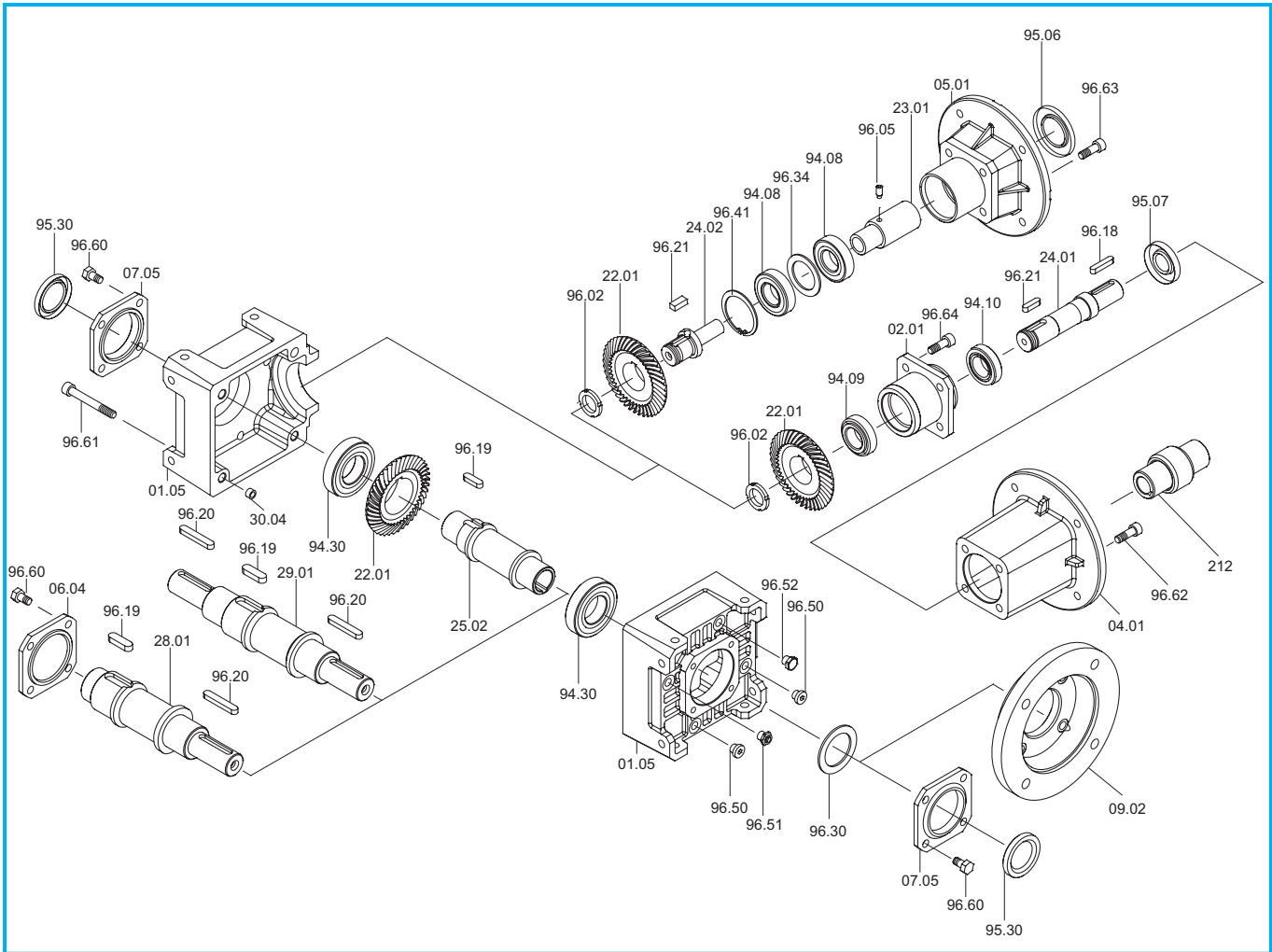
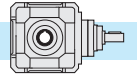


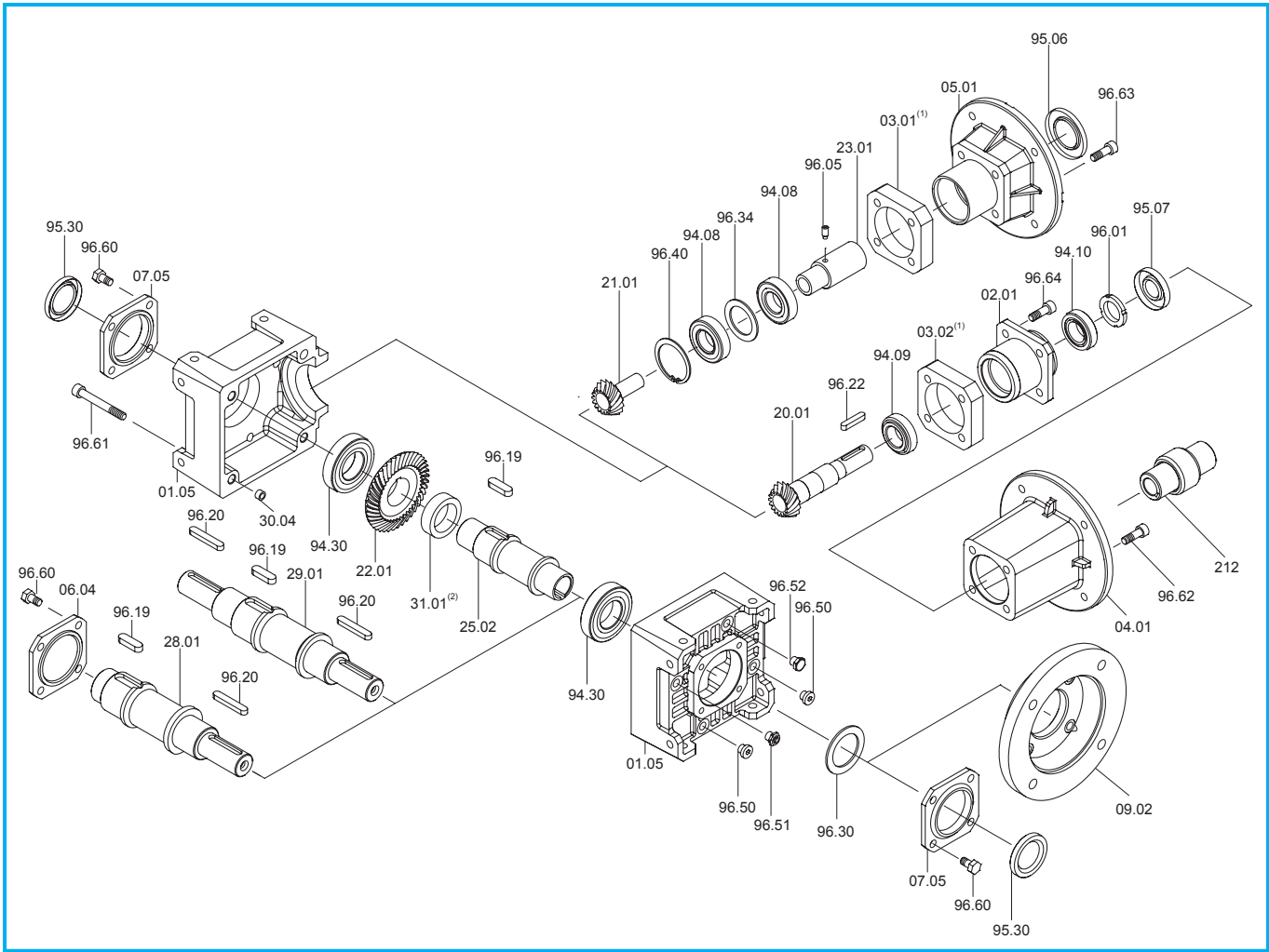
**LA - LC - LF (in = 1)**



LA - LC - LF in = 1:1	Cuscinetti/ Bearings / Lager			Anelli di tenuta / Oilseals / Öldichtungen			
	LA - LC - LF	LA - LF	LC	LA - LC - LF	LC		LA - LF
	94.30	94.10 - 94.09	94.08	95.30	IEC	95.06	95.07
<b>19</b>	6206 30/62/16	30203 17/40/13.25	7203 17/40/12	30/47/7	63	25/52/7	20/40/7
					71	30/52/7	
					80	35/52/7	
					90	37/52/8	
<b>24</b>	6207 35/72/17	32005 25/47/15	7205 25/52/15	35/52/7	71 - 80	35/62/7	30/47/7
					90	40/62/7	
					100 - 112	45/62/8	
<b>28</b>	6208 40/80/18	32006 30/55/17	7206 30/62/16	40/62/8	80 - 90	40/72/7	35/58/10
					100 - 112	45/72/8	
					132	55/72/8	
					90	45/80/10	
<b>38</b>	30211 55/100/22.75	32007 35/62/18	7207 35/72/17	55/72/10	100 - 112	45/80/10	40/62/7
					132	55/80/10	
					160	60/80/8	
					180	65/80/8	
<b>48</b>	30213 65/120/24.75	33109 45/80/26	7209 45/85/19	65/90/10	100 - 112	55/100/13	55/80/8
					132 - 160	60/100/10	
					180	65/100/10	
					200	75/100/10	



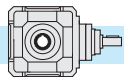
**LA - LC - LF (in > 1)**



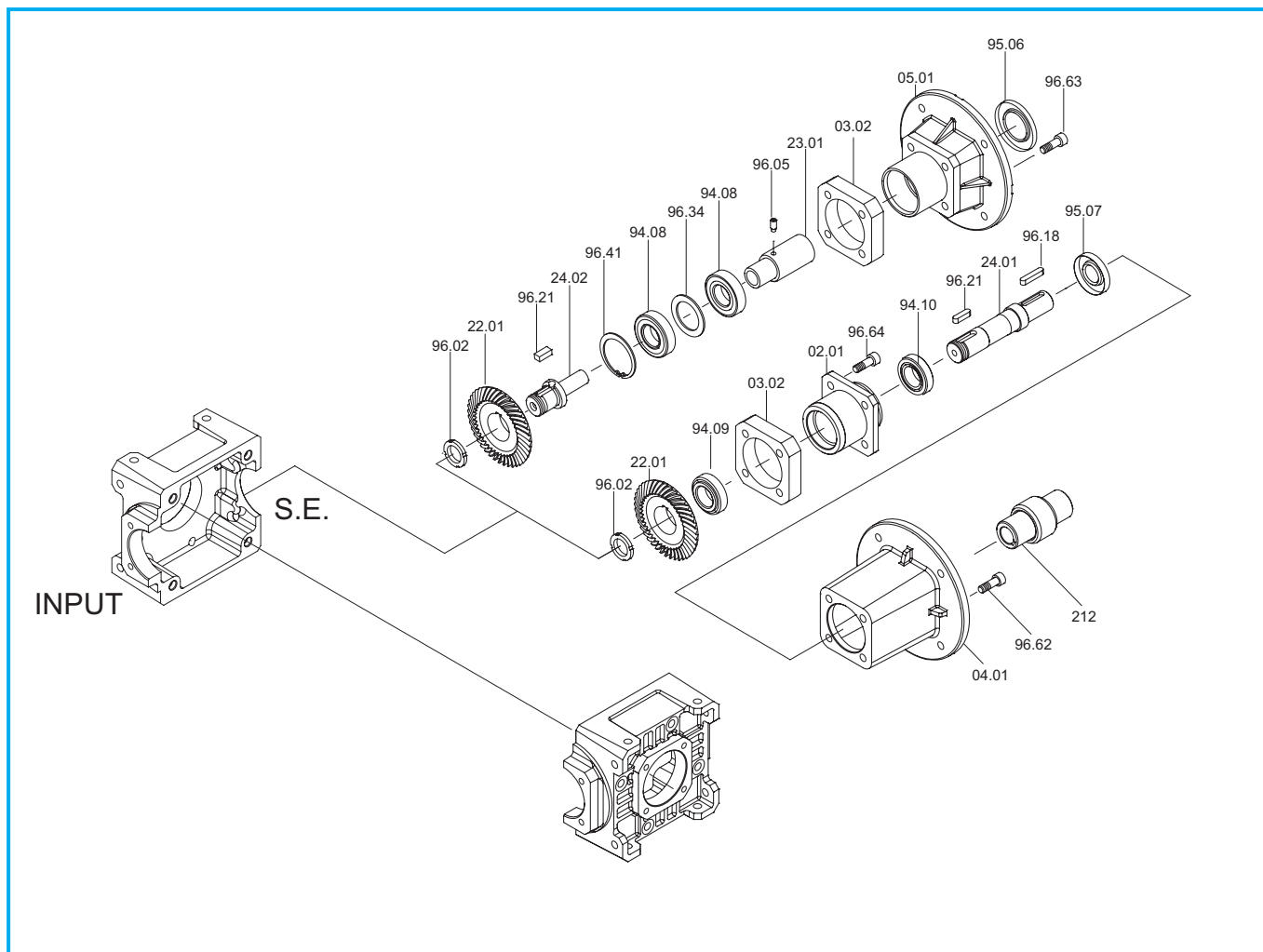
(1): Solo per L48 i>1 / Only for R48 i>1 / Nur für R48 i>1

(2): Solo per L19 i=2 / Only for L19 i=2 / Nur für i=2

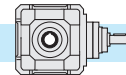
LA - LC - LF in > 1	Cuscinetti/ Bearings / Lager			Anelli di tenuta / Oilseals / Öldichtungen			
	LA - LC - LF	LA - LF	LC	LA - LC - LF	LC		LA - LF
	94.30	94.10 - 94.09	94.08	95.30	IEC	95.06	95.07
<b>19</b>	6206 30/62/16	30203 17/40/13.25	7203 17/40/12	30/47/7	63	25/52/7	15/40/10
					71	30/52/7	
					80	35/52/7	
					90	37/52/8	
<b>24</b>	6207 35/72/17	32005 25/47/15	7205 25/52/15	35/52/7	71 - 80	35/62/7	20/47/7
					90	40/62/7	
					100 - 112	45/62/8	
<b>28</b>	6208 40/80/18	32006 30/55/17	7206 30/62/16	40/62/8	80 - 90	40/72/7	25/58/10
					100 - 112	45/72/8	
					132	55/72/8	
					90	45/80/10	
<b>38</b>	30211 55/100/22.75	32007 35/62/18	7207 35/72/17	55/72/10	100 - 112	45/80/10	30/62/7
					132	55/80/10	
					160	60/80/8	
					180	65/80/8	
<b>48</b>	30213 65/120/24.75	33109 45/80/26	7209 45/85/19	65/90/10	100 - 112	55/100/13	40/80/10
					132 - 160	60/100/10	
					180	65/100/10	
					200	75/100/10	



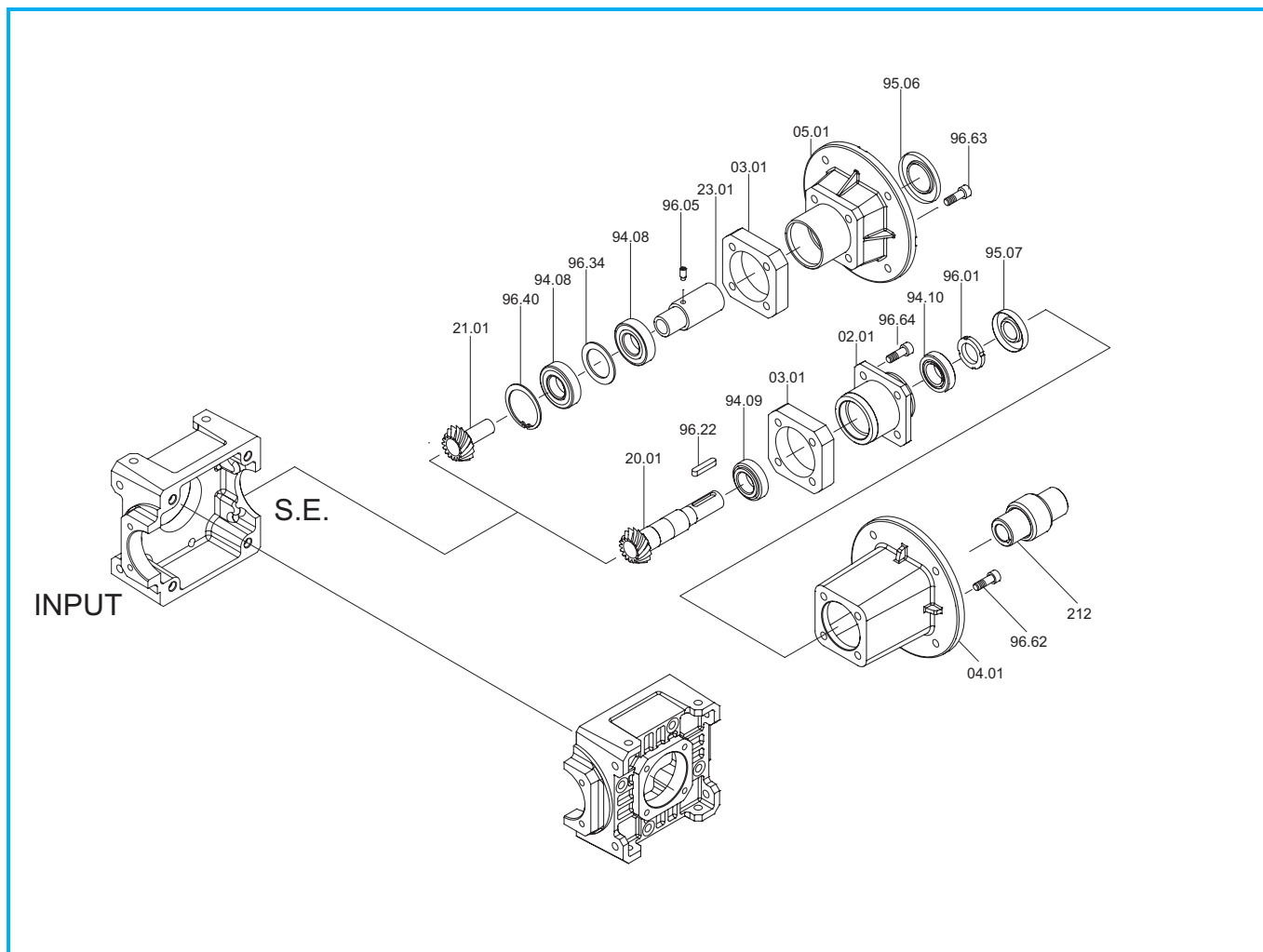
**LA - LC - LF (in = 1) s.e.**



LA - LC - LF in = 1:1 S.E	Cuscinetti/ Bearings / Lager		Anelli di tenuta / Oilseals / Öldichtungen		
	LA - LF	LC	LC		LA - LF
	94.10 - 94.09	94.08	IEC	95.06	95.07
<b>19</b>	30203 17/40/13.25	7203 17/40/12	63	25/52/7	20/40/7
			71	30/52/7	
			80	35/52/7	
			90	37/52/8	
<b>24</b>	32005 25/47/15	7205 25/52/15	71 - 80	35/62/7	30/47/7
			90	40/62/7	
			100 - 112	45/62/8	
<b>28</b>	32006 30/55/17	7206 30/62/16	80 - 90	40/72/7	35/58/10
			100 - 112	45/72/8	
			132	55/72/8	
<b>38</b>	32007 35/62/18	7207 35/72/17	90	45/80/10	40/62/7
			100 - 112	45/80/10	
			132	55/80/10	
			160	60/80/8	
<b>48</b>	33109 45/80/26	7209 45/85/19	180	65/80/8	55/80/8
			100 - 112	55/100/13	
			132 - 160	60/100/10	
			180	65/100/10	
			200	75/100/10	



**LA - LC - LF (in > 1) s.e.**



LA - LC - LF in > 1 S.E	Cuscinetti / Bearings / Lager		Anelli di tenuta / Oilseals / Öldichtungen		
	LA - LF	LC	LC		LA - LF
	94.10 - 94.09	94.08	IEC	95.06	95.07
<b>19</b>	<b>30203</b> 17/40/13.25	<b>7203</b> 17/40/12	63	<b>25/52/7</b>	<b>15/40/10</b>
			71	<b>30/52/7</b>	
			80	<b>35/52/7</b>	
			90	<b>37/52/8</b>	
<b>24</b>	<b>32005</b> 25/47/15	<b>7205</b> 25/52/15	71 - 80	<b>35/62/7</b>	<b>20/47/7</b>
			90	<b>40/62/7</b>	
			100 - 112	<b>45/62/8</b>	
<b>28</b>	<b>32006</b> 30/55/17	<b>7206</b> 30/62/16	80 - 90	<b>40/72/7</b>	<b>25/58/10</b>
			100 - 112	<b>45/72/8</b>	
			132	<b>55/72/8</b>	
<b>38</b>	<b>32007</b> 35/62/18	<b>7207</b> 35/72/17	90	<b>45/80/10</b>	<b>30/62/7</b>
			100 - 112	<b>45/80/10</b>	
			132	<b>55/80/10</b>	
			160	<b>60/80/8</b>	
<b>48</b>	<b>33109</b> 45/80/26	<b>7209</b> 45/85/19	180	<b>65/80/8</b>	<b>40/80/10</b>
			100 - 112	<b>55/100/13</b>	
			132 - 160	<b>60/100/10</b>	
			200	<b>75/100/10</b>	