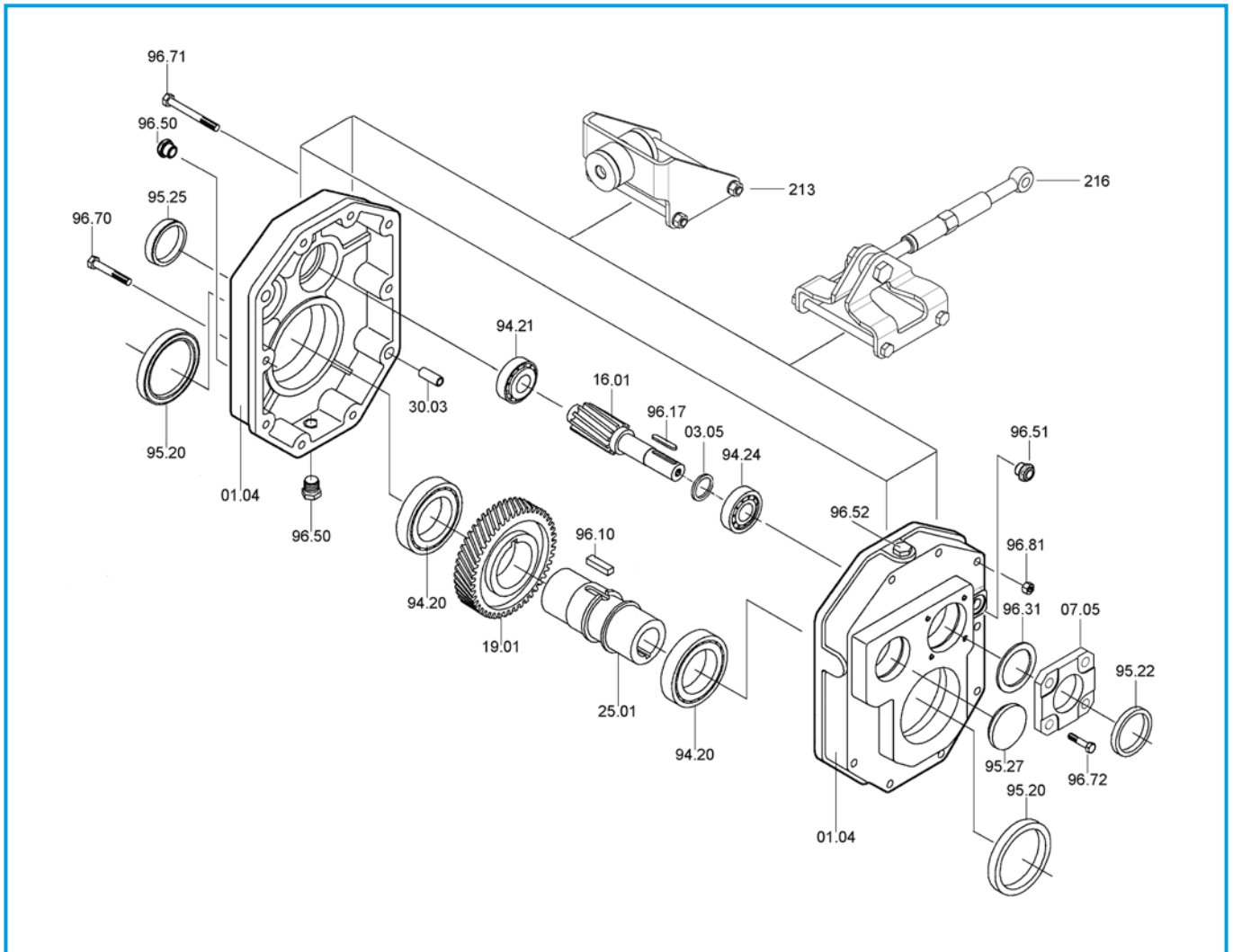




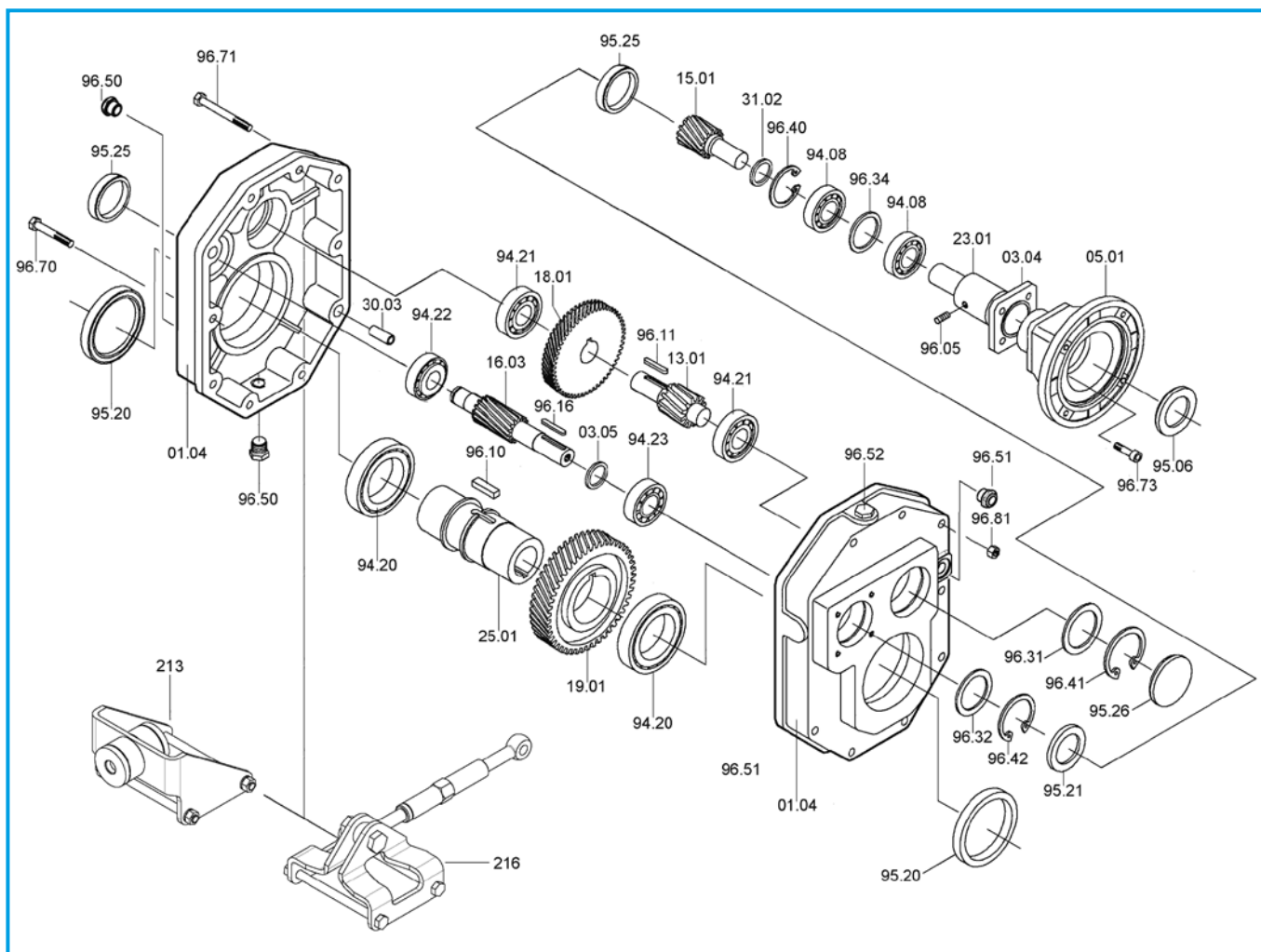
PA..A



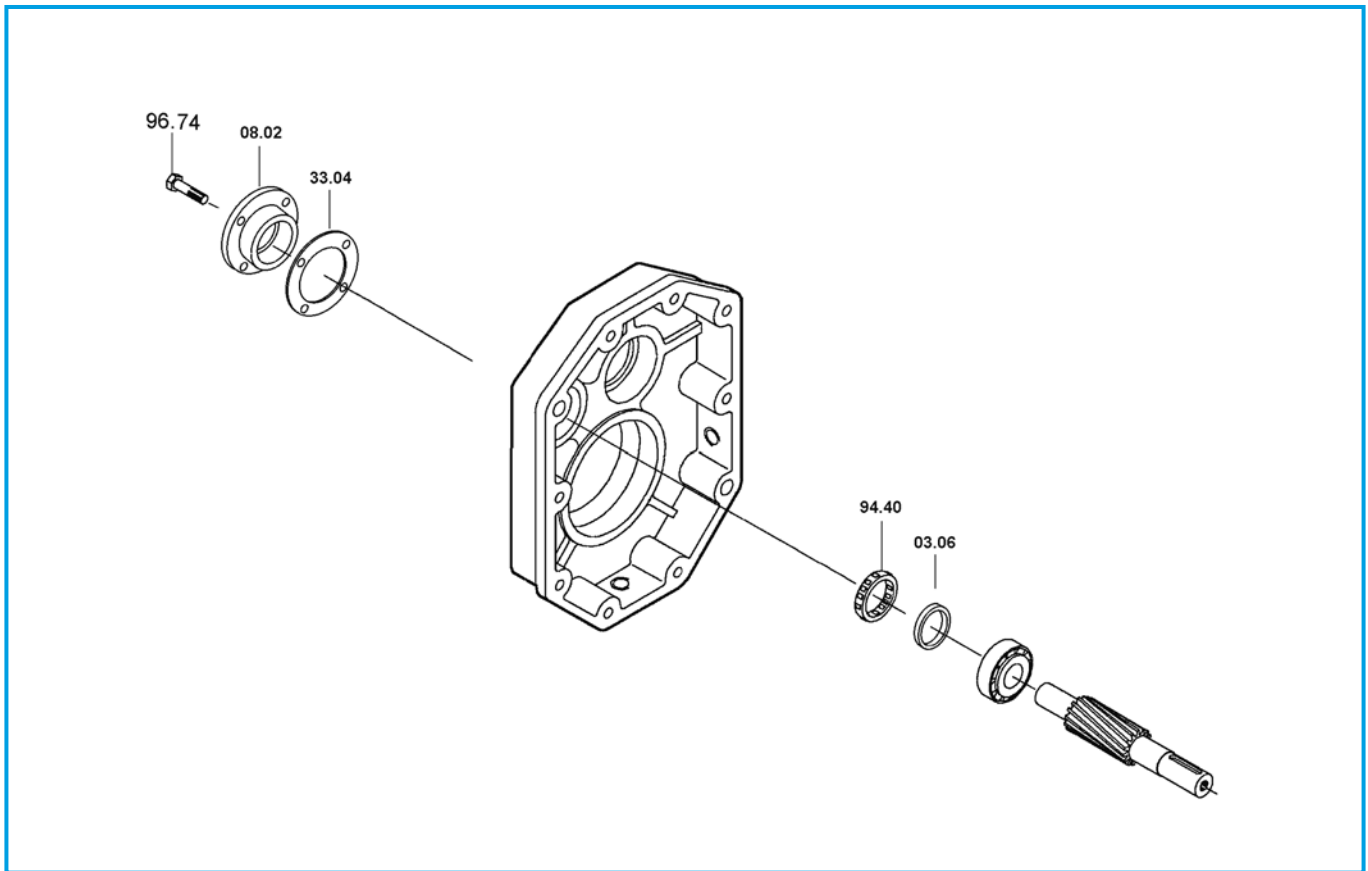
PA	Cuscinetti/ Bearings / Lager			Anelli di tenuta / Oilseals / Öldichtungen	
	94.20	94.21	94.24	95.20	95.22
63A	6008 40/68/15	30302 15/42/14.25	32004 20/42/15	40/62/7	20/35/7
80A	6210 50/90/20	30304 20/52/16.25	30205 25/52/16.25	50/80/10	25/40/7
100A	6212 60/110/22	30305 25/62/18.25	30206 30/62/17.25	60/100/13	30/52/7
125A	6215 75/130/25	30306 30/72/20.75	30208 40/80/19.75	75/120/12	40/68/10
160A	6219 95/170/32	32208 40/80/24.75	30210 50/90/21.75	95/136/13	50/80/8



PA..B - PC..B



PA - PC	Cuscinetti/ Bearings / Lager					Anelli di tenuta / Oilseals / Öldichtungen				
	PA - PC		PA		PC	PA - PC	PC		PA	
	94.20	94.21	94.22	94.23	94.08	95.20	IEC	95.06	95.21	
63B	6008 40/68/15	6302 15/42/13	6301 12/37/21	6302 15/42/13	7203 17/40/12	40/62/7	63	25/52/7	15/35/7	
							71	30/52/7		
							80	35/52/7		
							90	37/52/8		
80B	6210 50/90/20	6304 20/52/15	30302 15/45/14.25	30204 20/47/15.25	7205 25/52/15	50/80/10	71 - 80	35/62/7	20/47/7	
							90	40/62/7		
							100 - 112	45/62/8		
100B	6212 60/110/22	6305 25/62/17	30304 20/52/16.25	30205 25/52/16.25	7206 30/62/16	60/100/13	80 - 90	40/72/7	25/52/7	
							100 - 112	45/72/8		
							132	55/72/10		
							132 - 160	60/80/8		
125B	6215 75/130/25	6306 30/72/19	30305 25/62/18.25	30206 30/62/17.25	7207 35/72/17	75/120/12	80 - 90	45/80/10	30/62/7	
							100 - 112	45/80/10		
							132	55/80/10		
							160	60/80/8		
							180	65/80/8		
160B	6219 95/170/32	6307 35/80/21	30306 30/72/20.75	30208 40/80/19.75	7209 45/85/38	95/136/13	100 - 112	55/100/13	40/80/10	
							132 - 160	60/100/10		
							180	65/100/10		
							200	75/100/10		

**PA..B****Dispositivo antiritorno - Backstop device - Rücklaufsperr**

P	Ruota libera / Free wheel / Freilaufgrad 94.40
80	FE 423 Z
100	FE 428 Z
125	BF 50 Z 16
160	BF 70 Z 21