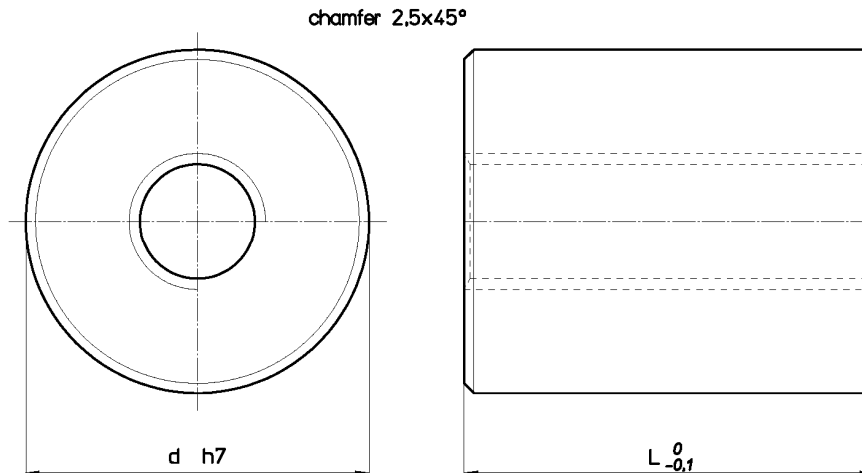


Trapezoidal nut type BIG - Cylindrical bronze

Material: EN 1982 Cu Sn12-C – CC483K

Large cylindrical nut with nonstandard pitches especially suitable for replacement.



Nut Stock no. RIGHT	Nut Stock no. LEFT	Diameter x lead	Thread starts	d mm	L mm	Wt. kg/each	At mm ² (1)
BIG 20 A R	BIG 20 A L	Tr 20x4	1	78	60	2.43	1696
BIG 25 A R	BIG 25 A L	Tr 25x5	1	78	75	2.96	2650
BIG 30 R R	BIG 30 R L	Tr 30x3	1	78	90	3.30	3600
BIG 30 Q R	BIG 30 Q L	Tr 30x4	1	78	90	3.31	3560
BIG 30 P R	BIG 30 P L	Tr 30x5	1	78	90	3.32	3500
BIG 30 A R	BIG 30 A L	Tr 30x6	1	78	90	3.33	3435
BIG 35 R R	BIG 35 R L	Tr 35x3	1	88	105	4.85	5000
BIG 35 Q R	BIG 35 Q L	Tr 35x4	1	88	105	4.86	4900
BIG 35 P R	BIG 35 P L	Tr 35x5	1	88	105	4.87	4820
BIG 35 A R	BIG 35 A L	Tr 35x6	1	88	105	4.89	4750
BIG 40 R R	BIG 40 R L	Tr 40x3	1	98	120	6.80	6530
BIG 40 Q R	BIG 40 Q L	Tr 40x4	1	98	120	6.82	6447
BIG 40 P R	BIG 40 P L	Tr 40x5	1	98	120	6.83	6360
BIG 40 O R	BIG 40 O L	Tr 40x6	1	98	120	6.85	6277
BIG 40 A R	BIG 40 A L	Tr 40x7	1	98	120	6.87	6200
BIG 40 I R	--	Tr 40x10	1	98	120	6.91	6597
BIG 50 R R	BIG 50 R L	Tr 50x3	1	108	150	9.74	10300
BIG 50 Q R	BIG 50 Q L	Tr 50x4	1	108	150	9.77	10180
BIG 50 P R	BIG 50 P L	Tr 50x5	1	108	150	9.79	10070
BIG 50 O R	BIG 50 O L	Tr 50x6	1	108	150	9.82	9965
BIG 50 A R	BIG 50 A L	Tr 50x8	1	108	150	9.87	9750
BIG 50 I R	--	Tr 50x10	1	108	150	9.92	10600
BIG 60 O R	--	Tr 60x6	1	118	180	13.29	14500
BIG 60 N R	--	Tr 60x7	1	118	180	13.32	14380
BIG 60 A R	--	Tr 60x9	1	118	180	13.36	14130

(1) Total bearing surface between screw and nut teeth on plane perpendicular to axis.