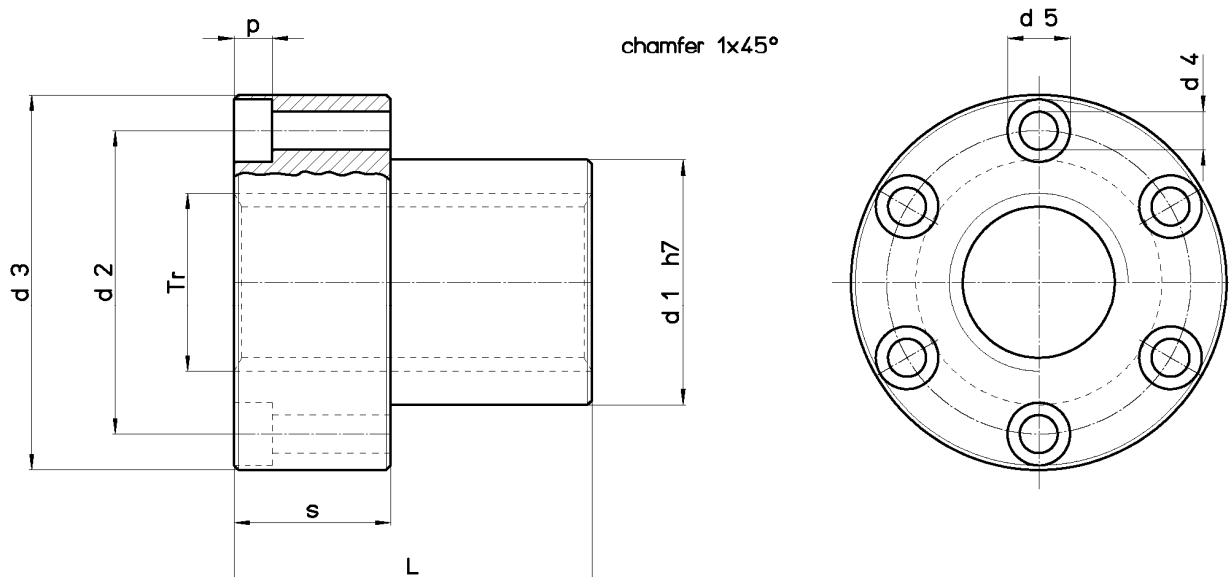


# Trapezoidal nut type FHD - Flanged bronze

**Material: EN 1982 Cu Sn12-C – CC483K**

Tin bronze nut especially suitable for continuous movement with good wear resistance. Flange dimensions make them fully interchangeable with FTN, FXN, HDL, HAL and FCS (total length and flange thickness change). Good lubrication is recommended.



Nut Stock no. <b>RIGHT</b>	Nut Stock no. <b>LEFT</b>	<b>Diameter x lead</b>	Thread starts	d1 mm	d2 mm	d3 mm	d4 mm	d5 mm	p mm	L mm	s mm	no. screw holes	Fastening screws (class 8.8)	Wt. kg/each	At mm <sup>2</sup> (1)
FHD 25 E R	--	<b>Tr 25x25 (P5)</b>	5	35	48	62	6.5	11	6.5	50	20	6	M6	0.581	1767
FHD 40 E R	--	<b>Tr 40x40 (P8)</b>	5	55	68	84	8.5	14	8.5	80	35	6	M8	1.849	4523

(1) Total bearing surface between screw and nut teeth on plane perpendicular to axis.