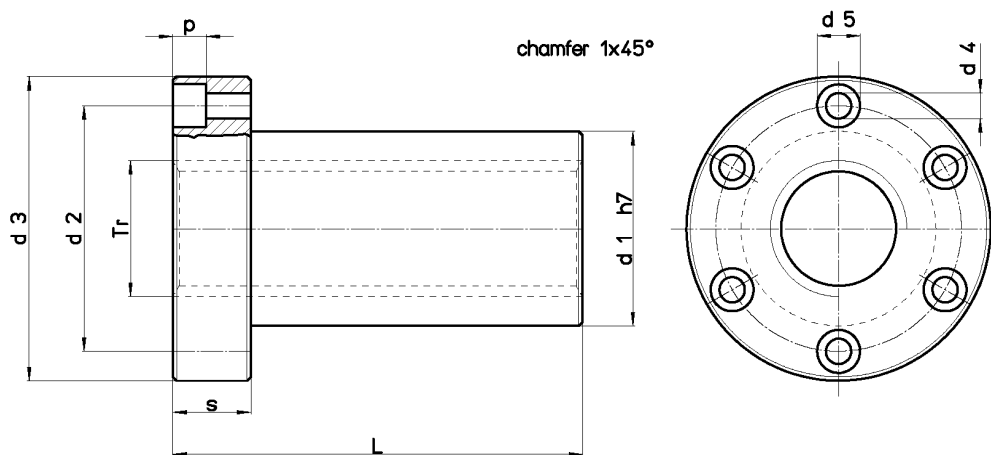


Trapezoidal nut type HAL - Flanged aluminium bronze

Material: EN 1982 CuAl11Fe6Ni6-C – CC333G

Long flanged bronze nut 3xTr designed for operation with heavy loads thanks to the extreme hardness of aluminium bronze. The special 3xTr length greatly limits wear. The dimensions of the flange make them fully interchangeable with FTN, FXN, HDL and FCS (total length and flange thickness change). Generous and continuous lubrication of the HAL is recommended during use.



Nut Stock no. RIGHT	Nut Stock no. LEFT	Diameter x lead	Thread starts	d1 mm	d2 mm	d3 mm	d4 mm	d5 mm	p mm	L mm	s mm	no. screw holes	Fastening screws (class 8.8)	Wt. kg/each	At mm ² (1)
HAL 30 A R	HAL 30 A L	Tr 30x6	1	40	53	68	6.5	11	6.5	90	18	6	M6	0.712	3816
HAL 35 A R	--	Tr 35x6	1	50	63	78	8.5	14	8.5	105	20	6	M8	1.222	5277
HAL 40 A R	HAL 40 A L	Tr 40x7	1	55	68	84	8.5	14	8.5	120	25	6	M8	1.622	6880
HAL 40 I R	--	Tr 40x10	1	55	68	84	8.5	14	8.5	120	25	6	M8	1.684	6597
HAL 50 A R	HAL 50 A L	Tr 50x8	1	65	80	100	10.5	17	10.5	150	30	6	M10	2.590	10840
HAL 50 I R	--	Tr 50x10	1	65	80	100	10.5	17	10.5	150	30	6	M10	2.670	10600
HAL 60 A R	--	Tr 60x9	1	75	95	118	12.5	19	12.5	180	35	6	M12	3.982	15700

(1) Total bearing surface between screw and nut teeth on plane perpendicular to axis.