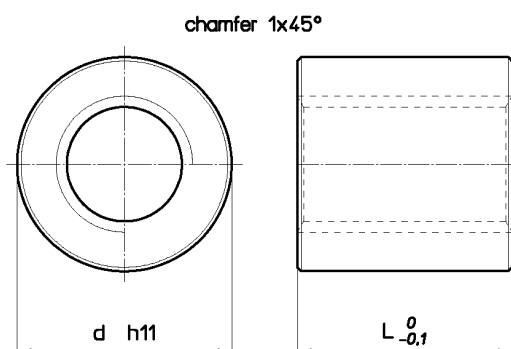


Trapezoidal nut type HDA - Cylindrical stainless steel

Material: INOX A1 - AISI 303 – 1.4305

Nut of AISI 303 stainless steel especially suitable to withstand corrosive chemical agents



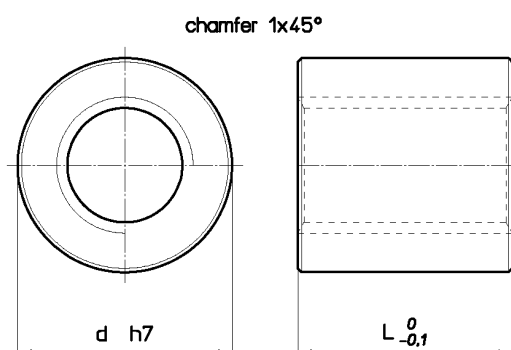
Nut Stock no. RIGHT	Nut Stock no. LEFT	Diameter x lead	Thread starts	d mm	L mm	Wt. kg/each	At mm ² (1)
HDA 12 A R	HDA 12 A L	Tr 12x3	1	26	18	0.060	297
HDA 14 A R	HDA 14 A L	Tr 14x4	1	30	21	0.095	395
HDA 16 A R	HDA 16 A L	Tr 16x4	1	36	24	0.157	528
HDA 20 A R	HDA 20 A L	Tr 20x4	1	45	30	0.305	847
HDA 24 A R	HDA 24 A L	Tr 24x5	1	50	36	0.436	1215
HDA 30 A R	HDA 30 A L	Tr 30x6	1	60	45	0.766	1908
HDA 36 A R	HDA 36 A L	Tr 36x6	1	75	54	1.462	2799
HDA 40 A R	HDA 40 A L	Tr 40x7	1	80	60	1.808	3440
HDA 50 A R	HDA 50 A L	Tr 50x8	1	90	75	2.653	5418

Trapezoidal nut type HBM - Cylindrical bronze

Material: EN 1982 Cu Sn12-C – CC483K

Cylindrical bronze nut for movement with modest loads compared with HDL and HAL.

Good lubrication is recommended.



Nut Stock no. RIGHT	Nut Stock no. LEFT	Diameter x lead	Thread starts	d mm	L mm	Wt. kg/each	At mm ² (1)
HBM 10 A R	HBM 10 A L	Tr 10x3	1	20	20	0.044	320
HBM 12 A R	HBM 12 A L	Tr 12x3	1	24	25	0.078	412
HBM 14 A R	HBM 14 A L	Tr 14x4	1	24	25	0.071	470
HBM 16 A R	HBM 16 A L	Tr 16x4	1	28	30	0.118	660
HBM 18 A R	HBM 18 A L	Tr 18x4	1	34	35	0.214	880
HBM 20 A R	HBM 20 A L	Tr 20x4	1	38	40	0.304	1130
HBM 25 A R	HBM 25 A L	Tr 25x5	1	44	45	0.438	1590
HBM 30 A R	HBM 30 A L	Tr 30x6	1	48	50	0.532	2120
HBM 35 A R	HBM 35 A L	Tr 35x6	1	58	60	0.959	3015
HBM 36 A R	HBM 36 A L	Tr 36x6	1	58	60	0.923	3110
HBM 40 A R	HBM 40 A L	Tr 40x7	1	64	65	1.222	3727
HBM 45 A R	HBM 45 A L	Tr 45x8	1	68	80	1.579	5152
HBM 50 A R	HBM 50 A L	Tr 50x8	1	74	80	1.808	5780
HBM 55 A R	--	Tr 55x9	1	78	95	2.242	7535
HBM 60 A R	HBM 60 A L	Tr 60x9	1	84	95	2.536	8282
HBM 70 A R	HBM 70 A L	Tr 70x10	1	98	120	4.354	8742
HBM 80 A R	HBM 80 A L	Tr 80x10	1	108	120	4.892	14137

(1) Total bearing surface between screw and nut teeth on plane perpendicular to axis.