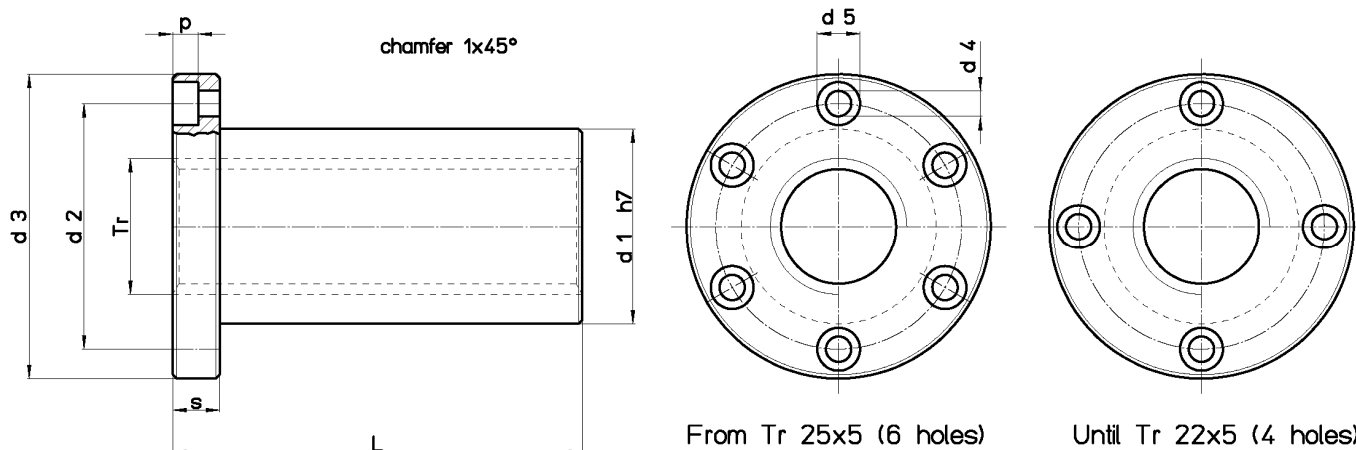


Trapezoidal nut type HDL - Flanged bronze

Material: EN 1982 Cu Sn12-C – CC483K

Flanged Bronze Nut of considerable length 3xTr suitable for operation under load with high loads and/or high movement speed. The special length of 3xTr greatly limits wear. Good lubrication is recommended.

Flange dimensions make them fully interchangeable with FTN, HDL, HAL and FCS (total length and flange thickness change).



Nut Stock no. RIGHT	Nut Stock no. LEFT	Diameter x lead	Thread starts	d1 mm	d2 mm	d3 mm	d4 mm	d5 mm	p mm	L mm	s mm	no. screw holes	Fastening screws (class 8.8)	Wt. kg/each	At mm ² (1)
HDL 14 A R	HDL 14 A L	Tr 14x4	1	20	30	42	5.5	9,5	5.2	42	10	4	M5	0.151	790
HDL 16 A R	HDL 16 A L	Tr 16x4	1	22	32	45	5.5	9,5	5.2	48	10	4	M5	0.183	1056
HDL 16 B R	--	Tr 16x8 (P4)	2	22	32	45	5.5	9,5	5.2	48	10	4	M5	0.183	1056
HDL 18 A R	HDL 18 A L	Tr 18x4	1	25	35	48	5.5	9,5	5.2	54	10	4	M5	0.233	1356
HDL 20 A R	HDL 20 A L	Tr 20x4	1	30	40	52	5.5	9,5	5.2	60	12	4	M5	0.368	1696
HDL 20 B R	--	Tr 20x8 (P4)	2	30	40	52	5.5	9,5	5.2	60	12	4	M5	0.368	1696
HDL 22 A R	HDL 22 A L	Tr 22x5	1	30	40	52	5.5	9,5	5.2	60	12	4	M5	0.338	1838
HDL 25 A R	HDL 25 A L	Tr 25x5	1	35	48	62	6.5	11	6.5	75	15	6	M6	0.586	2650
HDL 25 B R	--	Tr 25x10 (P5)	2	35	48	62	6.5	11	6.5	75	15	6	M6	0.586	2650
HDL 25 E R	--	Tr 25x25 (P5)	5	35	48	62	6.5	11	6.5	75	15	6	M6	0.586	2650
HDL 28 A R	HDL 28 A L	Tr 28x5	1	40	53	68	6.5	11	6.5	90	18	6	M6	0.903	3600
HDL 28 B R	--	Tr 28x10 (P5)	2	40	53	68	6.5	11	6.5	90	18	6	M6	0.903	3600
HDL 30 A R	HDL 30 A L	Tr 30x6	1	40	53	68	6.5	11	6.5	90	18	6	M6	0.841	3816
HDL 30 B R	--	Tr 30x12 (P6)	2	40	53	68	6.5	11	6.5	90	18	6	M6	0.841	3816
HDL 30 R R	HDL 30 R L	Tr 30x3	1	40	53	68	6.5	11	6.5	90	18	6	M6	0.784	3816
HDL 32 A R	HDL 32 A L	Tr 32x6	1	40	53	68	6.5	11	6.5	90	18	6	M6	0.765	4100
HDL 35 A R	HDL 35 A L	Tr 35x6	1	50	63	78	8.5	14	8.5	105	20	6	M8	1.439	5277
HDL 40 A R	HDL 40 A L	Tr 40x7	1	55	68	84	8.5	14	8.5	120	25	6	M8	1.937	6880
HDL 40 I R	--	Tr 40x10	1	55	68	84	8.5	14	8.5	120	25	6	M8	1.986	6597
HDL 40 B R	--	Tr 40x14 (P7)	2	55	68	84	8.5	14	8.5	120	25	6	M8	1.937	6597
HDL 40 Q R	--	Tr 40x4	1	55	68	84	8.5	14	8.5	120	25	6	M8	1.929	6597
HDL 50 O R	--	Tr 50x6	1	65	80	100	10.5	17	10.5	150	30	6	M10	3.007	10840
HDL 50 A R	HDL 50 A L	Tr 50x8	1	65	80	100	10.5	17	10.5	150	30	6	M10	3.075	10840
HDL 50 I R	--	Tr 50x10	1	65	80	100	10.5	17	10.5	150	30	6	M10	3.127	10600
HDL 60 A R	HDL 60 A L	Tr 60x9	1	75	95	120	12.5	19	12.5	180	35	6	M12	4.797	15700

(1) Total bearing surface between screw and nut teeth on plane perpendicular to axis.