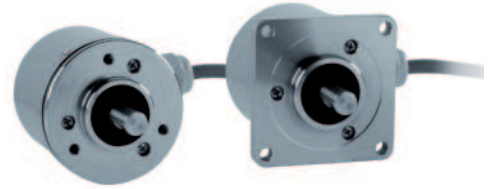


MAIN FEATURES

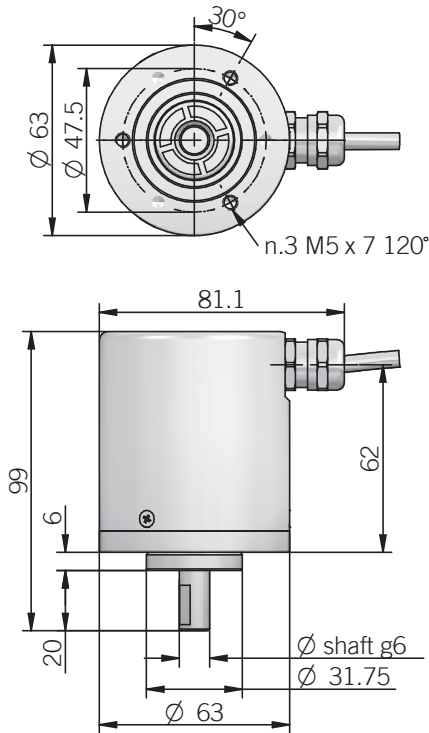
Thanks to the stainless steel enclosure, the encoder is suitable for food and beverage machinery, cranes and winches for ships, offshore applications, washing systems and all those environments where high corrosion resistance is required. EAM 63 AX / DX is available with SSI output.

- Optical sensor technology (OptoASIC + gears)
- Resolution up to 27 bit (13 bit single turn (8192 ppr) + 14 bit multiturn (16384 turns))
- Power supply up to +28 VDC with SSI as electronic interface
- Cable or connector output
- Solid shaft diameter up to 10 mm
- Mounting by clamping or centering 2,5" square flange



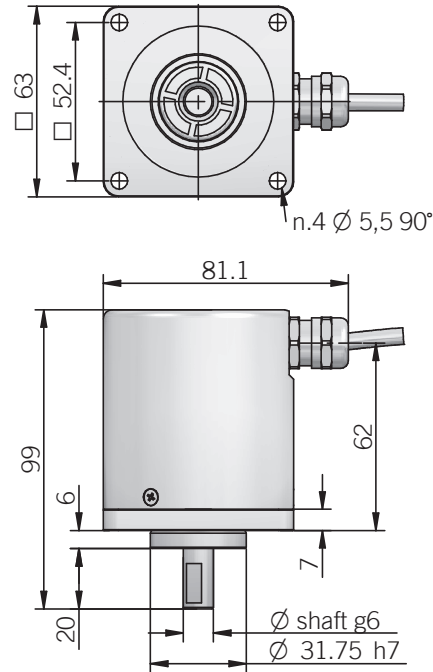
ORDERING CODE	EAM	63AX	4096 / 4096	G	8/28	S	X	X	10	S	3	PC	R	.XXX
SERIES multiturn absolute encoder	EAM													
MODEL clamping flange \varnothing 31.75 mm centering square flange \varnothing 31.75 mm	63AX	63DX												
MULTITURN RESOLUTION (powers of 2) turns from	2	16384												
SINGLETURN RESOLUTION (powers of 2) ppr from	2	8192												
CODE TYPE binary gray	B	G												
POWER SUPPLY 8 ... 28 V DC	8/28													
ELECTRONIC INTERFACE Serial Synchronous Interface - SSI	S													
LOGIC to be reported	X													
OPTIONS to be reported	X													
SHAFT DIAMETER (9,52mm 3/8") mm	9	10												
ENCLOSURE RATING IP 66	S													
MAX ROTATION SPEED 3000 rpm	3													
OUTPUT TYPE cable (standard length 1,5 m)	PC													
DIRECTION TYPE radial	R													
VARIANT custom version	XXX													

EAM 63 AX



dimensions in mm

EAM 63 DX



ELECTRICAL SPECIFICATIONS	
Multiturn resolution	from 2 to 16384 turns
Singleturn resolution	from 2 to 8192 ppr
Power supply	8/28 = 7,6 ... 29,4 V DC
Current consumption without load	100 mA
Output type	RS-422
Auxiliary inputs (U/D)	active high (+Vdc) connect to 0V if not used
Clock frequency	100 kHz ... 1 MHz
SSI monostable time (Tm)	18 μs
SSI pause time (Tp)	> 35 μs
Accuracy	± 1/2 LSB
SSI frame	Tree format (MSB ... LSB) up to 12 bit multiturn = lenght 25 bit (12MT + 13ST) 13 to 14 bit multiturn = lenght 27 bit (14MT + 13ST)
Counting direction	decreasing clockwise (shaft view)
Start-up time	150 ms
Electromagnetic compatibility	IEC 61000-6-2 IEC 61000-6-4

MECHANICAL SPECIFICATIONS	
Shaft diameter	ø 9,52 (3/8") / 10 mm
Enclosure rating	IP 66 (IEC 60529)
Max rotation speed	3000 rpm
Max shaft load	100 N axial / radial
Shock	50 G, 11 ms (IEC 60068-2-27)
Vibration	10 G, 10 ... 2000 Hz (IEC 60068-2-6)
Moment of inertia	1,5 x 10 ⁻⁶ kgm ²
Starting torque (at +20°C / +68°F)	< 0,06 Nm
Body material	1.4305 / AISI 303 stainless steel
Shaft material	1.4305 / AISI 303 stainless steel
Housing material	1.4305 / AISI 303 stainless steel
Bearings	2 ball bearings
Bearings life	10 ⁹ revolutions
Operating temperature	0° ... +60°C (+32° ... +140°F)
Storage temperature	-15° ... +70°C (+5° ... +158°F)
Weight	1000 g (35,27 oz)

CONNECTIONS	
Function	Cable output
+ Vdc	red
0 Volt	black
data +	green
data -	brown
clock +	yellow
clock -	orange or pink
U / D	red / blue
⊥	shield