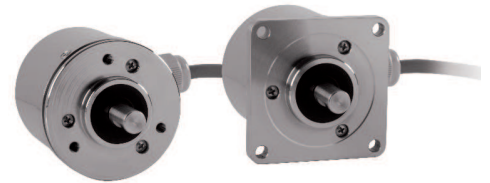


MAIN FEATURES

Thanks to the stainless steel enclosure, this encoder is suitable for food and beverage machinery, cranes and winches for ships, offshore applications, washing systems and for all those environments where high corrosion resistance is required.

- 3 channel encoder (A / B / Z) up to 24000 ppr
- Power supply up to +28 VDC with several electronic interfaces available
- Up to 500 kHz output frequency
- Solid shaft diameter up to 10 mm
- Mounting by clamping or centering 2,5" square flange

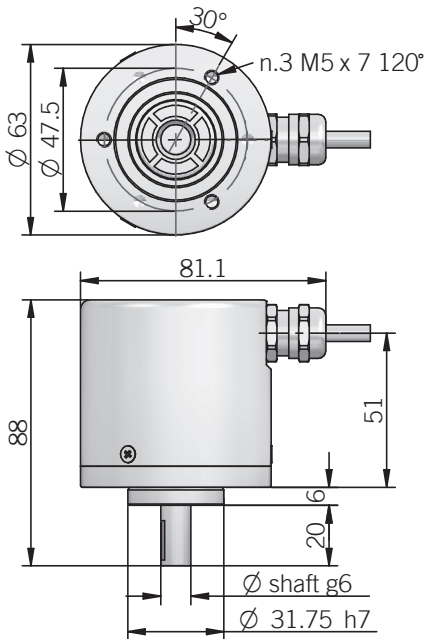


ORDERING CODE

ER 63DX 500 S 5/28 N 8 S 3 PR .XXX

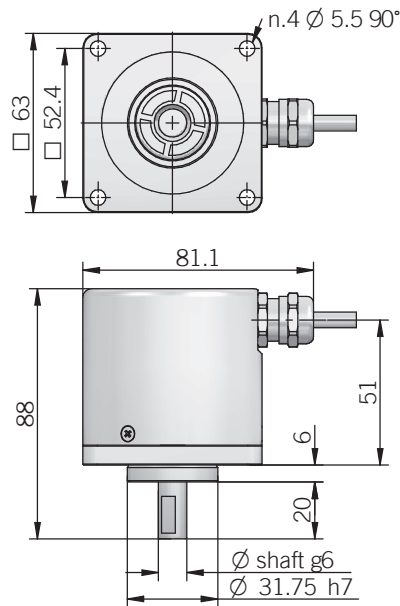
SERIES incremental encoder series EL incremental encoder series ER												
MODEL clamping flange ø 31,75 mm 63AX centering square flange ø 31,75 mm 63DX												
RESOLUTION ppr from 1 to 24000 <i>see table for pulses availability</i>												
ZERO PULSE without zero pulse S with zero pulse Z												
POWER SUPPLY (with L electronic interface) 5 V DC 5 (with L or PC electronic interface) 8 ... 24 V DC 8/24 5 ... 28 V DC 5/28												
ELECTRONIC INTERFACE NPN N NPN open collector C push-pull P push-pull protected (AEIC-7272) PC line driver L power supply 5/28V - output RS-422 RS												
SHAFT DIAMETER 9,52 (3/8") mm 9 mm 10												
ENCLOSURE RATING IP 66 S												
MAX ROTATION SPEED 3000 rpm 3												
OUTPUT TYPE radial cable (standard length 1,5 m) P												
VARIANT custom version XXX												

EL - ER 63 AX



dimensions in mm

EL - ER 63 DX



ELECTRICAL SPECIFICATIONS

Resolution	from 1 to 24000 ppr
Power supply	5 = 4,5 ... 5,5 V DC 5/28 = 4,75 ... 29,4 V DC 8/24 = 7,6 ... 25,2 V DC (reverse polarity protection)
Power draw without load	800 mW
Max load current	N / C / P / PC = 50 mA / channel L / RS = 20 mA / channel
Output type*	NPN / NPN open collector / push-pull / line driver
Max output frequency	250 kHz up to 6000 ppr 500 kHz from 7200 ppr
Counting direction	A leads B clockwise (shaft view)
Electromagnetic compatibility	IEC 61000-6-2 IEC 61000-6-4

*output levels according to power supply, for further details please see under Technical basics section

EL SERIES RESOLUTIONS

1 - 2 - 4 - 5 - 10 - 15 - 16 - 20 - 25 - 30 - 32 - 40 - 50 - 60 - 70 - 80 - 90 - 160 - 180 - 350 - 450 - 660 - 700

ER SERIES RESOLUTIONS

100 - 120 - 128 - 150 - 200 - 240 - 250 - 256 - 300 - **360** - 400 - 480 - **500** - **512** - 600 - 625 - **720** - 750 - 800 - 900 - **1000** - **1024** - 1200 - 1250 - 1440 - 1500 - 1600 - 1800 - **2000** - **2048** - **2500** - 3000 - **3600** - 4000 - 4096 - **5000** - 6000 - **7200** - 8000 - 8192 - 9000 - **10000** - 10240 - 12000 - **14400** - 16000 - 16384 - 18000 - **20000** - 20480 - 24000

please directly contact our offices for other pulses, preferred resolutions in bold

MECHANICAL SPECIFICATIONS

Shaft diameter	Ø 9,52 (3/8") / 10 mm
Enclosure rating	S = IP 66 (IEC 60529)
Max rotation speed	EL 3000 rpm / 60° C ER 3000 rpm / 70° C - 2000 rpm / 85° C
Max shaft load	200 N axial / radial
Shock	50 G, 11 ms (IEC 60068-2-27)
Vibration	10 G, 10 ... 2000 Hz (IEC 60068-2-6)
Moment of inertia	1,5 x 10 ⁻⁶ kgm ²
Starting torque (at +20°C / +68°F)	< 0,06 Nm
Body material	1.4305 / AISI 303 stainless steel
Shaft material	1.4305 / AISI 303 stainless steel
Housing material	1.4305 / AISI 303 stainless steel
Bearings	2 ball bearings
Bearings life	10 ⁹ revolutions
Operating temperature	-10° ... +60°C (+14° ... +140°F) EL series -25° ... +85°C (-13° ... +185°F) ER series
Storage temperature	-25° ... +70°C (-13° ... +158°F)
Weight	650 g (22,92 oz)

CONNECTIONS

Function	Cable output N / C / P / PC	Cable output Line driver
+V DC	red	red
0 V	black	black
Ch. A	green	green
Ch. A-	/	brown
Ch. B	yellow	yellow
Ch. B-	/	orange
Ch. Z	blue	blue
Ch. Z-	/	white
⊥	shield	shield