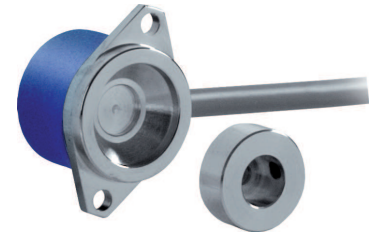


MAIN FEATURES

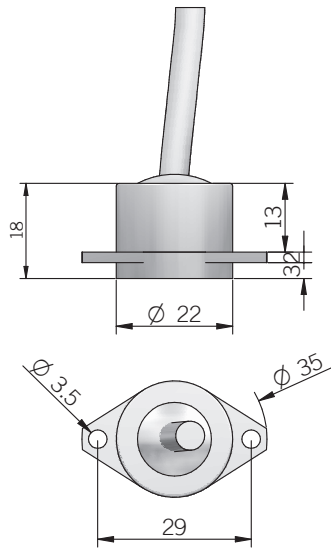
EM series encoders are suitable for several application fields like electric motors marine industry, iron and steel industry, textile machines, wood-working, paper-working, glass working, marble-working machinery and, more generally, automation and process control fields.

- Resolution up to 13 bit (8192 ppr) with SSI as electronic interface
- Cable output, connector available on cable end
- No wear due to no contact magnetic technology
- Bore shaft diameter up to 10 mm
- IP 67 enclosure rating
- Wide operating temperature -40° ... +125°C (-40° ... +257°F)

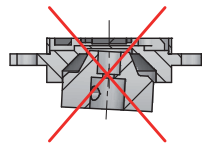
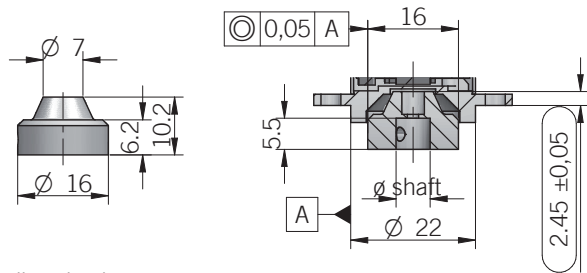
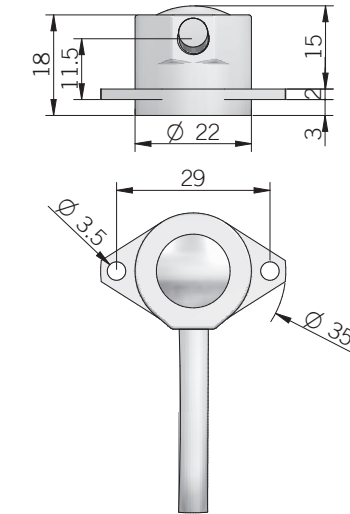


ORDERING CODE	EMA	22A	1024	B	5	S	P	X	6	S	10	P	R	.XXX
SERIES magnetic singleturn absolute encoder EMA														
MODEL clamping flange \varnothing 22 mm 22A <i>for anodized version please directly contact our offices</i>														
RESOLUTION ppr from 8 to 8192 <i>see table for pulses availability</i>														
CODE TYPE binary B gray G														
POWER SUPPLY 5 V DC 5														
ELECTRONIC INTERFACE Serial Synchronous Interface - SSI S														
LOGIC positive P														
OPTIONS to be reported X														
BORE DIAMETER (MAGNET ACTUATOR) mm 6 mm 8 (9,52mm 3/8") mm 9 mm 10														
ENCLOSURE RATING IP 67 S														
MAX ROTATION SPEED 10000 rpm 10														
OUTPUT TYPE cable (standard length 0,5 m) P														
DIRECTION TYPE axial A radial R														
VARIANT custom version XXX														

EMA 22 axial cable output



EMA 22 radial cable output



dimensions in mm

ELECTRICAL SPECIFICATIONS

Resolution	from 8 to 8192 ppr
Power supply	5 = 4,75 ... 5,25 V DC
Current consumption without load	100 mA max
Output type	RS-422
SSI output code	binary or gray
Clock frequency	100 kHz ... 1 MHz
SSI monostable time (Tm)	20 µs
SSI frame	(MSB ... LSB) 13 bit data length
Accuracy	± 0,35° typical / ± 0,50° max
Counting direction	decreasing clockwise (magnet actuator view)
Electromagnetic compatibility	IEC 61000-6-1 IEC 61000-6-4

CONNECTIONS

Function	Cable output
+ Vdc	red
0 Volt	black
data +	green
data -	brown
clock +	yellow
clock -	orange
⏏	shield

MECHANICAL SPECIFICATIONS

Bore diameter (magnet actuator)	∅ 6 / 8 / 9,52 (3/8") / 10 mm
Enclosure rating	IP 67 (IEC 60529)
Max rotation speed	10000 rpm
Shock	50 G, 11 ms (IEC 60068-2-27)
Vibration	10 G, 10 ... 2000 Hz (IEC 60068-2-6)
Moment of inertia (magnet actuator)	0,1 x 10 ⁻⁶ kgm ²
Body material	EN-AW 2011 aluminum
Housing material	EN-AW 2011 aluminum
Magnet actuator material	EN-AW 2011 aluminum
Operating temperature	-40° ... +125 °C (-40° ... +257°F)
Storage temperature	-25° ... +85 °C (-13° ... +185°F)
Weight	30 g (1,06 oz)
Magnet actuator mounting tolerances (to get best electrical performances)	± 0,2 mm (axial) ± 0,1 mm (radial)

RESOLUTIONS

8 - 16 - 25 - 32 - 40 - 50 - 64 - 80 - 100 - 125 - 128 - 160 - 200 - 250 - 256 - 320 - 400 - 500 - 512 - 800 - 1000 - 1024 - 1600 - 2000 - 2048 - 4096 - 8192