

MAIN FEATURES

Rope encoder series with Dyneema rope available for lengths up to 4 m.
 The applied encoder could be incremental or absolute.
 Perfectly suitable also for harsh environments, thanks to its high mechanical strength.
 It can be used in wide range of applications such as: vertical storehouses, presses, extruders, etc.



ORDERING CODE

FE 1500 A .XXX

SERIES rope encoder for linear measures	FE		
WORKING STROKE	1,5 m	1500	
	4 m	4000	
TYPE OF ROPE END	eyelet	A	
VARIANT	custom version	XXX	

The encoder you wish to apply to the FE model needs to be ordered separately. The F letter will be placed before the standard ordering code.

Example:

- 1) encoder model EH 30 M ordering code: FEH30M300S8/24P6X6PR
- 2) encoder model EL 53 B ordering code: FEL53B1100S5/28P6X3MR
- 3) encoder model EAM 53 B ordering code: FEAM53B16/4096G8/28PPX6X3MER

Complete ordering code example:

FE1500A-FEH30M300S8/24P6X6PR

For encoder specifications, refer to single product datasheet :

- EH 30 M see EH 30 M - EH 30 MH encoder
- EL 53 B see EL - ER 53 encoder
- EAM 53 B see EAM 58 - 63 solid shaft encoder

MECHANICAL SPECIFICATIONS

Max movement speed	0,85 m/s
Enclosure rating	depends on encoder IP
Shock	50 G, 11 ms (IEC 60068-2-27)
Vibration	10 G, 10 ... 2000 Hz (IEC 60068-2-6)
Housing material	painted aluminum
Rope material	Dyneema®
Operating temperature	-10° ... +60°C (+14° ... +140°F)
Storage temperature	-25° ... +70°C (-13° ... +158°F)
Weight	500 g (17,64 oz) mod. 1500 1100 g (38,80 oz) mod. 4000

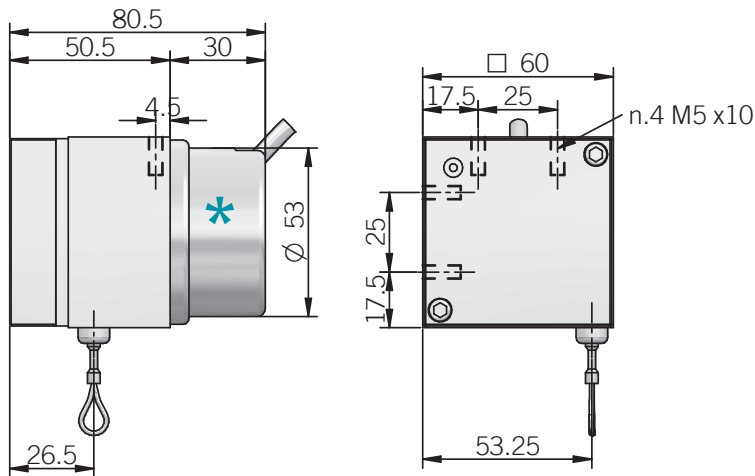
GENERAL SPECIFICATIONS

Model	FE 1500	FE 4000
Linearity error	± 0,75 mm	± 2 mm
Drum circumference	120 mm	220 mm

Mechanical resolution [mm] = Drum circumference [mm] / Encoder pulses [ppr o singleturn resolution]

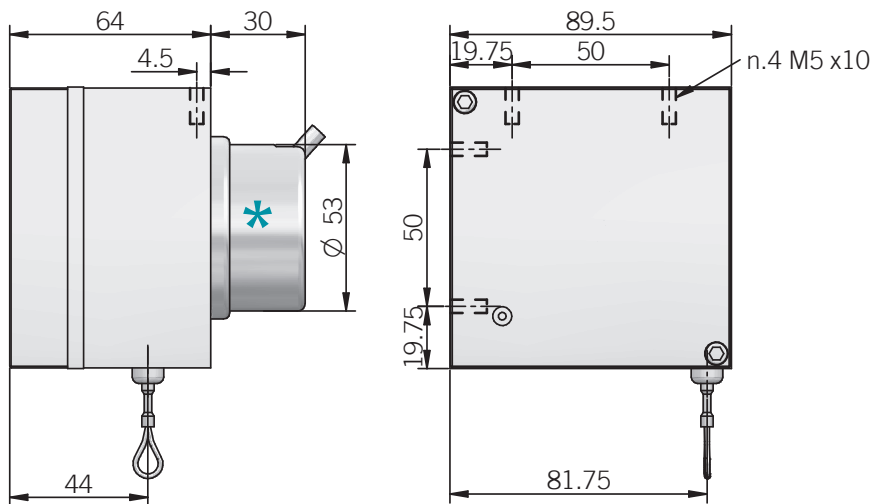
FE 1500

* EH30M encoder application



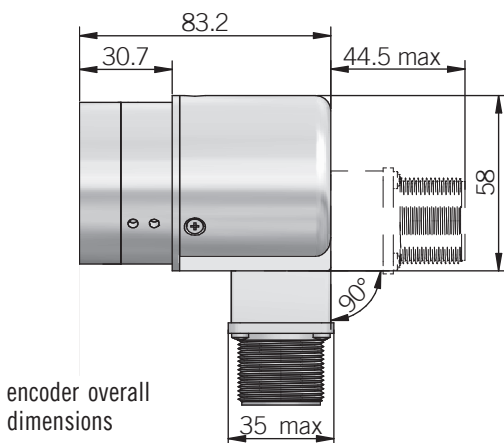
FE 4000

* EH30M encoder application



FEL 53 B

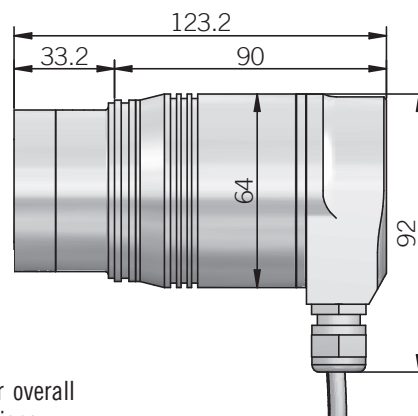
* incremental encoder application



dimensions in mm

FEAM 53 B

* multiturn absolute encoder application



encoder overall dimensions